

# Explosion Proof Range

Specifically designed for the Oil & Gas industry



MVE-Exd



MVE-SV

EX-STOCK DELIVERY

2 YEAR WARRANTY

INTERCHANGEABLE  
WITH MOST COMMON  
FOOTPRINTS



## MAINTENANCE-FREE

*OLI greased for life bearing solution does not require periodical re-greasing*



## EXPLOSION PROOF DESIGN

*Certified for use in hazardous locations*



## MOISTURE SHIELD

*OLI's sealing system avoids water and moisture infiltration*



VIBRATORS  
DESIGNED FOR  
HAZARDOUS  
ENVIRONMENTS





# MVE-Exd EXPLOSION PROOF

## 4 POLES - 1500/1800 rpm



\* Terminal Connections: Y High Voltage

Unbalance (inlb)		Model For U.S. Market	Centrifugal Force (lb)		Weight (lb)	
50Hz	60Hz		50Hz	60Hz	50Hz	60Hz
25	17	MVE 1530/4D-50A0	1,574	1,570	99.2	
38	25	MVE 2300/4D-50A0	2,456	2,266	115.1	99.2
47	33	MVE 3100/4D-60A0	3,007	3,060	160.9	155.0
60	40	MVE 3880/4D-60A1	3,803	3,668	167.6	134.3
81	60	MVE 5340/4D-60A1	5,198	5,478	172.0	158.7
47	33	MVE 3100/4D-60C0	3,007	3,060	160.9	155.0
60	40	MVE 3880/4D-60C0	3,803	3,668	167.6	134.3
81	60	MVE 5340/4D-60C0	5,198	5,478	172.0	158.7
88	59	MVE 5700/4D-70A0	5,637	5,410	218.0	204.1
108	74	MVE 6840/4D-70A0	6,887	6,770	231.5	213.8
88	59	MVE 5700/4D-70B0	5,637	5,410	218.0	204.1
108	74	MVE 6840/4D-70B0	6,887	6,770	231.5	213.8
88	59	MVE 5700/4D-70C0	5,637	5,410	218.0	204.1
108	74	MVE 6840/4D-70C0	6,887	6,770	231.5	213.8
133	89	MVE 8400/4D-75A0	8,494	8,166	299.8	275.6
149	105	MVE 9480/4D-75A0	9,506	9,610	309.7	285.7
133	89	MVE 8400/4D-75C0	8,494	8,166	299.8	275.6
149	105	MVE 9480/4D-75C0	9,506	9,610	309.7	285.7
133	89	MVE 8411/4D-75C1	5,346	7,698	299.8	275.6
149	105	MVE 9480/4D-75C1	9,506	9,610	309.7	285.7
190	132	MVE 12260/4D-80A0	12,114	12,114	426.6	403.4
190	132	MVE 12260/4D-80B0	12,114	12,114	427.7	405.7
190	132	MVE 12260/4D-80B1	12,114	12,114	427.7	405.7
190	132	MVE 12260/4D-80C0	12,114	12,114	426.6	403.4
190	132	MVE 12260/4D-80C1	12,114	12,114	426.6	403.4

ELECTRICAL SPECIFICATIONS										Cable Gland
Input Power (Hp)		Standard Nominal Current		* Terminal Connection	Ia / In (Ampere)		Class Temp.			
50Hz	60Hz	400V 50Hz	460V 60Hz		50Hz	60Hz				
0.7	0.9	1.0	1.0	Y	3.0	3.2	3/4" NPT 110°C			
0.8	0.9	1.3	1.5	Y	3.8	3.8				
1.0	1.3	1.7	1.8	Y	4.0	4.0	3/4" NPT 110°C			
1.3	1.6	2.0	2.0	Y	4.7	4.5				
1.7	1.9	2.8	2.7	Y	4.9	4.9				
1.0	1.3	1.7	1.8	Y	4.0	4.0				
1.3	1.6	2.0	2.0	Y	4.7	4.5	3/4" NPT 110°C			
1.7	1.9	2.8	2.7	Y	4.9	4.9				
2.0	2.1	2.7	2.6	Y	6.0	6.1				
2.2	2.5	2.8	2.7	Y	6.5	6.6				
2.0	2.1	2.7	2.6	Y	6.0	6.1	3/4" NPT 110°C			
2.2	2.5	2.8	2.7	Y	6.5	6.6				
2.0	2.1	2.7	2.6	Y	6.0	6.1				
2.2	2.5	2.8	2.7	Y	6.5	6.6				
3.1	3.0	4.1	4.0	Y	6.8	6.8	3/4" NPT 110°C			
3.2	3.5	4.3	4.1	Y	7.0	7.2				
3.1	3.0	4.1	4.0	Y	6.8	6.8				
3.2	3.5	4.3	4.1	Y	7.0	7.2				
3.1	3.0	4.1	4.0	Y	6.8	6.8	3/4" NPT 110°C			
3.2	3.5	4.3	4.1	Y	7.0	7.2				
4.2	4.2	5.7	5.3	Y	7.1	7.0				
4.2	4.2	5.7	5.3	Y	7.1	7.0				
4.2	4.2	5.7	5.3	Y	7.1	7.0	3/4" NPT 110°C			
4.2	4.2	5.7	5.3	Y	7.1	7.0				



# MVE-SV SCREEN VIBRATOR EXPLOSION PROOF

## 4 POLES - 1500/1800 rpm

Unbalance (inlb)		Model For U.S. Market	Centrifugal Force (lb)		Weight (lb)	
50Hz	60Hz		50Hz	60Hz	50Hz	60Hz
121	84	MVE 7700/4D-SV-75A0	7,716	7,721	396.8	374.8
121	84	MVE 7700/4D-SV-75D0	7,716	7,721	396.8	374.8
181	127	MVE 11500/4D-SV-80A0	11,552	11,647	465.2	440.9
269	188	MVE 17100/4D-SV-85A0	17,174	17,308	/	/

ELECTRICAL SPECIFICATIONS										CERTIFICATE
Input Power (Hp)		Standard Nominal Current		* Terminal Connections	Ia / In (Ampere)		Cable Gland			
50Hz	60Hz	50Hz (400V)	60Hz (460V)		50Hz	60Hz				
2.9	3.5	4.3	4.3	Y	6.5	6.5	3/4" NPT 110°C			
2.9	3.5	4.3	4.3	Y	6.5	6.5	3/4" NPT 110°C			
3.3	4.0	5.5	5.2	Y	7.1	7.0	3/4" NPT 110°C			
4.3	5.1	6.3	6.3	Y	7.1	7.0	3/4" NPT 110°C			



UP TO SIZE 50  
60Hz masses = 50Hz masses adjusted at 70%



FROM SIZE 51 AND ABOVE  
Specific masses for 60Hz

To convert kg into Newton:  $N = 9.81 \cdot kg$



- » II 2G Ex db IIB T4 Gb,
- » II 2D Ex tb IIIC T135°C Db
- » Ex db IIB T4 Gb
- » Ex tb IIIC T135°C Db

- » Ambient temperature from -20°C to +60°C
- » Compliance with Essential Health and Safety Requirements
- » IEC EN 60079-0, IEC EN 60079-31, IEC EN 60079-1



DIMENSIONAL SPECIFICATIONS (inches)

Model For U.S. Market	Drawing	Size	C		M		A	B	Ø G	Holes	D	E	F	H	I	L	Ø N
			50Hz	60Hz	50Hz	60Hz											
MVE 1530/4D-50A0	A	50A0	15.59		3.76		4.72	6.69	0.67	4	8.23	9.88	1.06	4.06	7.28	8.07	6.52
MVE 2300/4D-50A0	A	50A0	18.35	15.59	5.14	3.76	4.72	6.69	0.67	4	8.23	9.88	1.06	4.06	7.28	8.07	6.52
MVE 3100/4D-60A0	A	60A0	18.78		4.39		5.51	7.48	0.67	4	9.21	11.14	0.98	4.88	9.45	10.00	8.70
MVE 3880/4D-60A1	A	60A1	18.78		4.39		5.51	7.48	0.87	4	9.21	11.14	0.98	4.88	9.45	10.00	8.70
MVE 5340/4D-60A1	A	60A1	20.51		5.26		5.51	7.48	0.87	4	9.21	11.14	0.98	4.88	9.45	10.00	8.70
MVE 3100/4D-60C0	A	60C0	18.78		4.39		5.51	6.69	0.67	4	9.21	11.14	0.98	4.88	9.45	10.00	8.70
MVE 3880/4D-60C0	A	60C0	18.78		4.39		5.51	6.69	0.67	4	9.21	11.14	0.98	4.88	9.45	10.00	8.70
MVE 5340/4D-60C0	A	60C0	20.51		5.26		5.51	6.69	0.67	4	9.21	11.14	0.98	4.88	9.45	10.00	8.70
MVE 5700/4D-70A0	B	70A0	20.67		4.84		6.10	8.86	0.87	4	10.79	12.24	1.26	5.51	10.08	10.98	9.25
MVE 6840/4D-70A0	B	70A0	23.07		6.04		6.10	8.86	0.87	4	10.79	12.24	1.26	5.51	10.08	10.98	9.25
MVE 5700/4D-70B0	B	70B0	20.67		4.84		6.30	8.27	0.69	4	10.79	12.24	1.26	5.51	10.08	10.98	9.25
MVE 6840/4D-70B0	B	70B0	23.07		6.04		6.30	8.27	0.69	4	10.79	12.24	1.26	5.51	10.08	10.98	9.25
MVE 5700/4D-70C0	C	70C0	20.67		4.84		3.27	9.06	0.87	6	10.79	12.24	1.26	5.51	10.08	10.98	9.25
MVE 6840/4D-70C0	C	70C0	23.07		6.04		3.27	9.06	0.87	6	10.79	12.24	1.26	5.51	10.08	10.98	9.25
MVE 8400/4D-75A0	B	75A0	24.25		6.14		6.10	10.04	0.93	4	11.89	12.99	1.18	5.91	11.02	11.97	10.43
MVE 9480/4D-75A0	B	75A0	24.25		6.14		6.10	10.04	0.93	4	11.89	12.99	1.18	5.91	11.02	11.97	10.43
MVE 8400/4D-75C0	C	75C0	24.25		6.14		3.27	9.06	0.87	6	11.89	12.99	1.18	5.91	11.02	11.97	10.43
MVE 9480/4D-75C0	C	75C0	24.25		6.14		3.27	9.06	0.87	6	11.89	12.99	1.18	5.91	11.02	11.97	10.43
MVE 8411/4D-75C1	C	75C1	24.25		6.14		4.13	9.76	0.87	6	11.89	12.99	1.18	5.91	11.02	11.97	10.43
MVE 9480/4D-75C1	C	75C1	24.25		6.14		4.13	9.76	0.87	6	11.89	12.99	1.18	5.91	11.02	11.97	10.43
MVE 12260/4D-80A0	B	80A0	24.09		5.00		7.09	11.02	1.02	4	12.99	14.92	1.30	6.93	12.99	14.09	12.20
MVE 12260/4D-80B0	C	80B0	24.09		5.00		4.88	12.01	1.02	6	14.17	14.92	1.30	6.93	12.99	14.09	12.20
MVE 12260/4D-80B1	B	80B1	24.09		5.00		9.76	12.01	1.02	4	14.17	14.92	1.30	6.93	12.99	14.09	12.20
MVE 12260/4D-80C0	C	80C0	24.09		5.00		4.65	11.02	1.02	6	12.99	14.92	1.30	6.93	12.99	14.09	12.20
MVE 12260/4D-80C1	C	80C1	24.09		5.00		4.13	9.76	0.87	6	12.99	14.92	1.30	6.93	12.99	14.09	12.20



DIMENSIONAL SPECIFICATIONS (inches)

Model For U.S. Market	Drawing	Size	C	M	A	A1	B	Ø G	Holes	D	E	F	H	I	L	L1	L2	L3	N
MVE 7700/4D-SV-75A0	A	75A0	42.52	7.07	37.76	-	9.02	1.14	4	11.22	12.46	2.36	5.39	12.68	32.68	-	-	-	11.00
MVE 7700/4D-SV-75D0	A	75D0	42.52	7.07	37.76	-	9.50	0.79	4	11.22	12.46	2.36	5.39	12.68	32.68	-	-	-	11.00
MVE 11500/4D-SV-80A0	B	80A0	43.94	6.69	37.76	-	9.02	1.14	4	11.22	13.82	1.89	6.14	13.11	33.23	-	-	-	12.44
MVE 17100/4D-SV-85A0	C	85A0	56.10	/	31.49	50.39	11.02	0.87	8	12.99	16.02	2.24	7.09	14.17	28.11	34.88	46.96	53.77	13.58

NOTE: Dimensions with coarse degree of accuracy related to UNI 22768/1

This information is provided without warranty, representation, inducement or licence of any kind. It is accurate to the best OLI knowledge or is obtained from sources believed to be accurate. OLI therefore assumes no legal responsibility. The latest and most updated information are available online.



» Class I, Div.1 Group C, D T4 IP66  
 » Conform to UL 1004-1, UL 1004-3, UL1203; UL674, CSA C22.2 No.145, CSA C22.2 No.30-M1986.

# CERTIFICATIONS

## Explosion Proof and Screen Vibrator



Comply with European Directive - Low voltage 2014/35/UE; Machine Directive 2006/42/EC - ATEX 2014/34/UE - UL 1836. UL 1004-1. UL 674 - CSAC22.2 NO 25. 100. 145

CATEGORY	CERTIFICATIONS	INTERNATIONAL STANDARD	GAS	DUST
ATEX zone 1-21 Class I Div.1 Class II Div.1 **		EN 60079-0, EN 60079-31, EN 60079-1	ATEX II 2G Ex db IIB T4 Gb	ATEX II 2D Ex tb IIIC T135°C Db
		IEC 60079-0, IEC 60079-31, IEC 60079-1	IECEX Ex db IIB T4 Gb	IECEX Ex tb IIIC T135°C Db
		UL 1004-1, UL 1004-3, UL1203; UL674, CSA C22.2 No.145, CSA C22.2 No.30-M1986.	CLASS I Div.1 Group C, D T4 IP66	CLASS II Div.1 GROUP E,F,G**

\*\* Available soon

# FEATURES

OLI "Explosion Proof" vibrating motors are specifically designed for heavy duty equipment, such as for example shale shakers. They are built to last in the most demanding environment without need of any maintenance and they match the most popular footprints on the market.

### ADVANTAGES OF OLI MVE-Exd

- Top quality bearings
- Greased for life = 100% maintenance free
- Excellent moisture shield
- Wide terminal box and multiple voltages available
- Easy centrifugal force adjustment

### APPLICATION ADVANTAGES

- Powerful vibration and quick synchronization granted by heavy duty windings
- No more risk of grease related issues thanks to OLI's sealed bearing solution
- Easy retrofit on existing shale shakers thanks to multiple voltages and footprints

### MVE-Exd and MVE-SV EXPLOSION PROOF - 4 POLES RANGE

APPLICATION	Shale shakers and fluid recovery systems
PROBLEM SOLVING	Maintenance free Corrosion resistance in harsh environment

### FEATURES

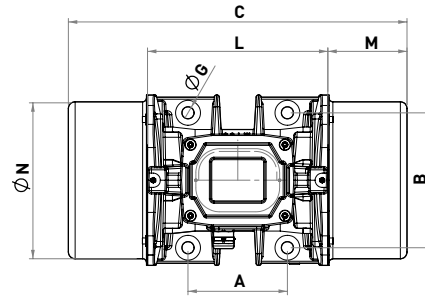
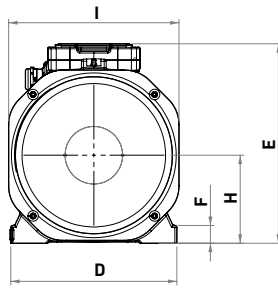
INPUT VOLTAGE	220-240/380-415V, 290-300/500-525V (50Hz); 330/575V, 220-277/380-480V, 230/460V (60Hz)
AMBIENT TEMPERATURE	-20 °C / +40 °C as standard, -20 °C / +55 °C on request
TYPE OF ENCLOSURE	IP 66
CERTIFICATION	II 2GD Exd IIB T4 Ex tb IIIC Tx Db IP66 Class I Div1 Group C,D T4 IP66 Class II Div1 Group E,F,G
PROTECTION	Thermal protection 130 °C included
INSULATION CLASS	F

### OPTIONS

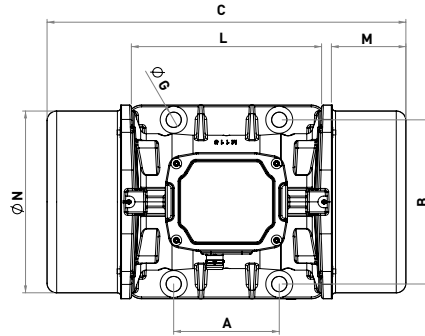
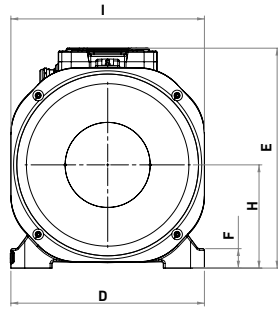
Winding heater 2,6,8 poles available
---



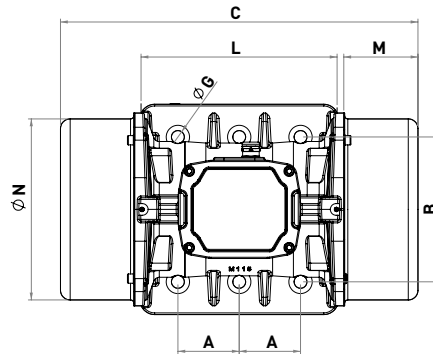
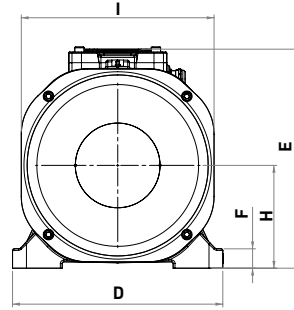
**A**



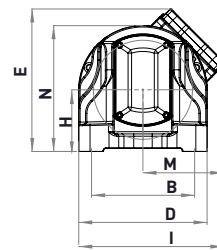
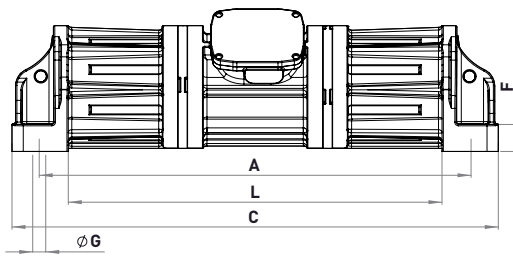
**B**



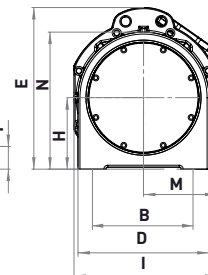
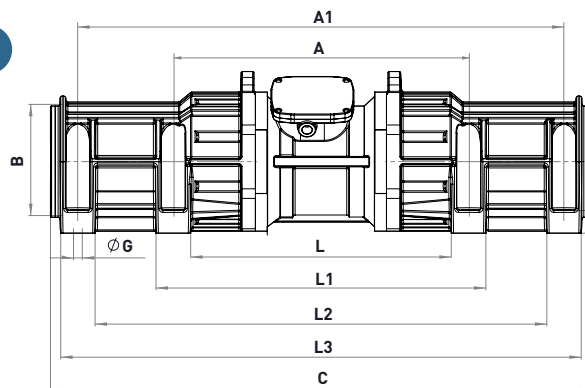
**C**

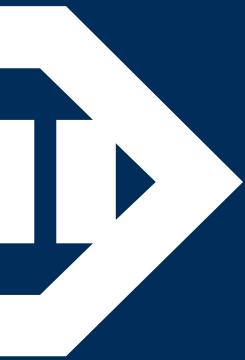


**M**



**O**





# WHEN YOU NEED IT, WHERE YOU NEED IT

## THE WORLDWIDE LEADER IN VIBRATION TECHNOLOGY



### OLI WORLDWIDE

OLI Australia	OLI Italy	OLI Russia
OLI Benelux	OLI Korea	OLI South Africa
OLI Brazil	OLI Malaysia	OLI Spain
OLI China	OLI Malta	OLI Thailand
OLI France	OLI Mexico	OLI Turkey
OLI Germany	OLI Middle East	OLI UK
OLI India	OLI Nordic	OLI USA
OLI Indonesia	OLI Poland	OLI Vietnam



#### OLI Headquarters

VIA SPARATO, 14  
41036 MEDOLLA (MO) - ITALY

+39 0535 41 06 11

INFO@OLIVIBRA.COM

#### OLI U.S.A.

2625 N. BERKELEY LAKE RD.  
SUITE # 500  
DULUTH, GA 30096 - USA

770.622.1494

SALES@OLIVIBRATOR.COM

[WWW.OLIVIBRA.COM](http://WWW.OLIVIBRA.COM)