



# FLOW AIDS

VIBRATORS FOR POWDER HANDLING







## Intro

Worldwide leader in vibration technology.....	4
Why use flow aids? .....	6
Where use flow aids? .....	6
Smart powder handling .....	7
Product range.....	8
Range overview .....	10
Applications .....	12

## Aerators

I100 - Aeration pads .....	14
U - Aeration nozzles .....	15
VBS - Bin aerators for silos .....	16
RPKIT - External rectangular mounting kit .....	18
CPKIT - External circular mounting kit .....	19
VBT - Bin aerators for truck .....	20

## Air Jet

PG - Air cannon .....	22
-----------------------	----

## Pneumatic Linear Vibrators

PS - Single impact.....	24
P - Continuous impact.....	26
P-US - Continuous impact .....	27
K - Cushioned .....	28
F - Adjustable .....	30

## Pneumatic Rotary Vibrators

S - Ball vibrator .....	32
OR - Roller vibrator .....	33
OT - Turbine vibrator .....	34

## Electric Vibrators

MVE-DC - Direct current electric vibrators .....	36
MVE - 2 poles electric vibrators - Three Phase...	38
MVE - 2 poles electric vibrators - Single Phase ..	40
MVE-MICRO - 2 poles electric vibrators .....	42

## Hydraulic Vibrators

MVO - Hydraulic vibrators .....	44
---------------------------------	----



**Worldwide leader in vibration technology**

## OUR 3 DIVISIONS

PROVIDE CUSTOMERS WITH OPTIMAL SOLUTIONS FOR ALL REQUIREMENTS

### INDUSTRIAL VIBRATORS



Electric vibrators and oscillating mounts for vibrating equipment.

### FLOW AIDS



Electric and pneumatic vibrators to solve any flowability problem.

### CONCRETE CONSOLIDATION



High frequency vibrators, converters and accessories for concrete compaction.



Founded in 1960 in Milan, OLI has undergone remarkable evolution, solidifying its position as **the world's top-selling manufacturer of Industrial Vibrators**. The company has expanded its global presence with **24 Trading Subsidiaries**, over **70 local warehouses**, and **4 manufacturing plants**.

Initially focused on immersion vibrators for concrete consolidation, OLI has emerged as a global leader in vibration technology. Offering a diverse range of **electric** and **pneumatic internal** and **external vibrators**, OLI seamlessly integrates performance and reliability to adapt to dynamic market demands.

OLI has refined its business strategy to prioritize **rapid stock delivery** and unparalleled

**technical assistance**, ensuring customers worldwide have prompt access to **top-tier products and support**. Exceptional customer service is a cornerstone of OLI's operations, characterized by efficient order processing and universal access to high-quality products and services.

The company boasts a **team of specialized engineers** supported by globally certified management, ready to offer the expertise needed to address customer needs efficiently and safely.

OLI is not only committed to providing cutting-edge equipment but is also at the forefront of **developing innovative products**, aiming to maintain its leadership in the vibration technology industry and continuously set new standards.



## WHY USE FLOW AIDS?

### SITUATION

Due to their characteristics, many **powders** inside silos, hoppers, chutes, piping, tanks or any other container tend to **stick to the surface**.

### PROBLEM

Any small change in the opening of the outlet, a rough surface, bends, shallow angles, the shape of the container, as well as the particle shape of the material handled might slow down the flow of the product, thus generating **waste**.

### SOLUTION

**OLI flow aids** are designed to solve issues caused by design errors or by the characteristics of the powder or granules handled. Moreover, they **increase process efficiency** and **improve plant safety**.



## WHERE USE FLOW AIDS?

### INDUSTRIES

- Food
- Animal feed
- Fertilizers
- Agriculture
- Pharmaceuticals
- Chemicals
- Plastics
- Cement
- Glass
- Air treatment
- Automotive
- Mining
- Recycling
- Renewable energies
- Building and construction

### APPLICATIONS

- Silos
- Hoppers
- Slides and chutes
- Piping
- Dump trucks
- Silo trailers
- Tipper trucks
- Packaging equipment
- Bag unloaders
- Compaction tables
- Threshers

### BENEFITS

- Safe
- Best quality/price ratio
- Robust
- Reliable
- Easy to install
- High performance
- Increased productivity
- Global availability
- Competitive prices

# SMART POWDER HANDLING

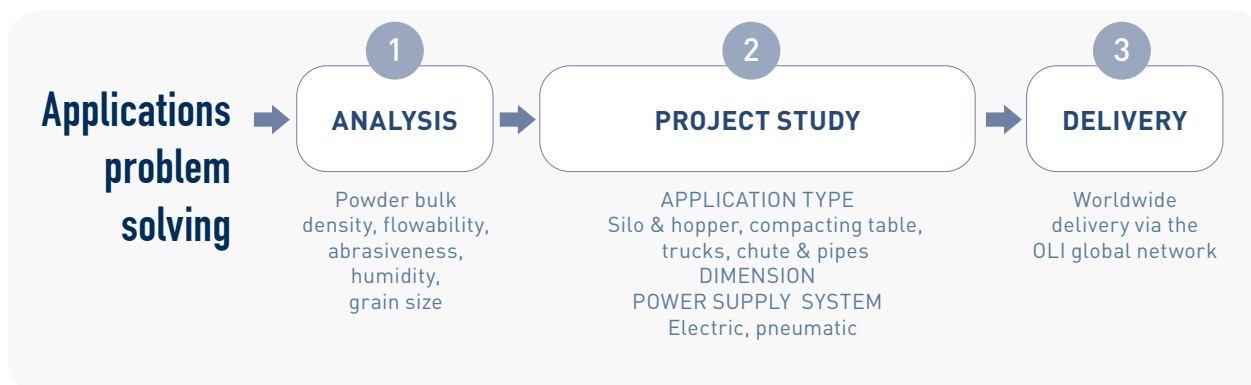
More than 60 years of **experience** in solving material handling problems make OLI the ideal partner for customers across all industries.

A **group of specialists** is at the customers' disposal to study and offer solutions that perfectly suit any type of application and material present on the market.

OLI analyses problems in the most comprehensive way: the type of powder to be handled, environmental conditions and the type of process. The **customer's needs** is at the centre of attention.

OLI's **global sales network** assists customers locally in over 70 countries ensuring ex-stock delivery from the local subsidiaries' warehouses.

## OLI GUIDES YOU TO THE RIGHT CHOICE



## ONLINE SIZING CALCULATOR

### NOT TOO BIG, NOT TOO SMALL, JUST RIGHT

To complete the service to the customer, OLI has created an application that guides to the choice of the most suitable vibrator for the project, step-by-step.

### OLIVIBRA CALCULATOR - MAIN FEATURES

- Available on-line
- Real-time updates
- Multilingual platform



[www.calculator.olivibra.com](http://www.calculator.olivibra.com)



## PRODUCT RANGE

### INTERNAL APPLICATION → IN CONTACT WITH MATERIAL

**AERATORS**

VIBRO-AERATOR  
VBS - VBT

AERATION PAD  
I100

AERATION NOZZLE  
U

**AIR JET**

AIR CANNON  
PG

### EXTERNAL APPLICATION → NOT IN CONTACT WITH MATERIAL

**PNEUMATIC VIBRATORS**

LINEAR	ROTARY
SINGLE IMPACT PS	BALL S
CONTINUOUS IMPACT P	ROLLER OR
CUSHIONED K	TURBINE OT
ADJUSTABLE F	

**ELECTRIC VIBRATORS**

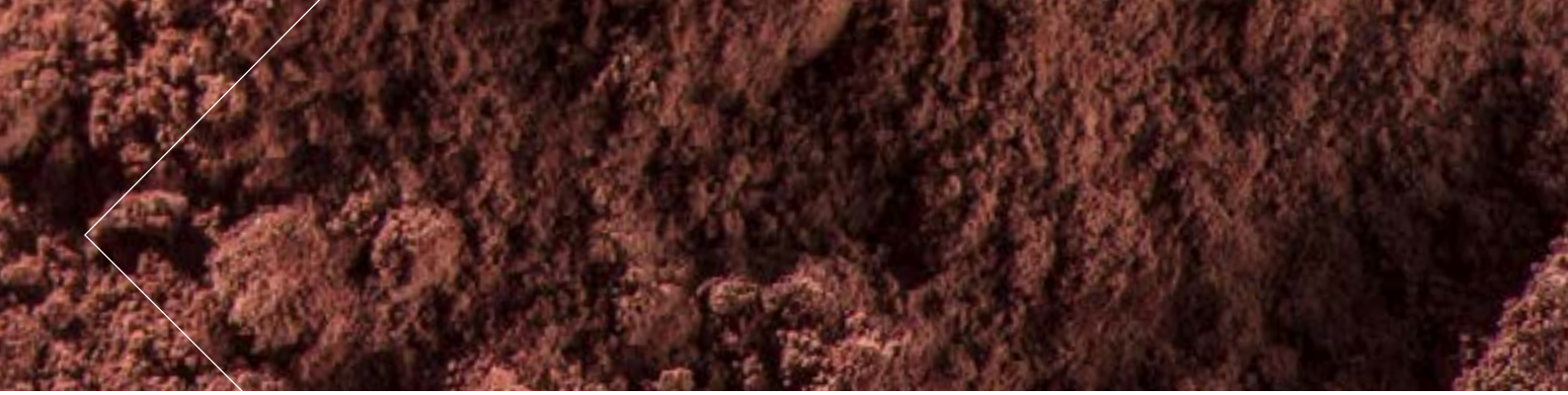
2 POLES 1PH OR 3PH  
MVE

2 POLES 1PH OR 3PH  
MVE-MICRO

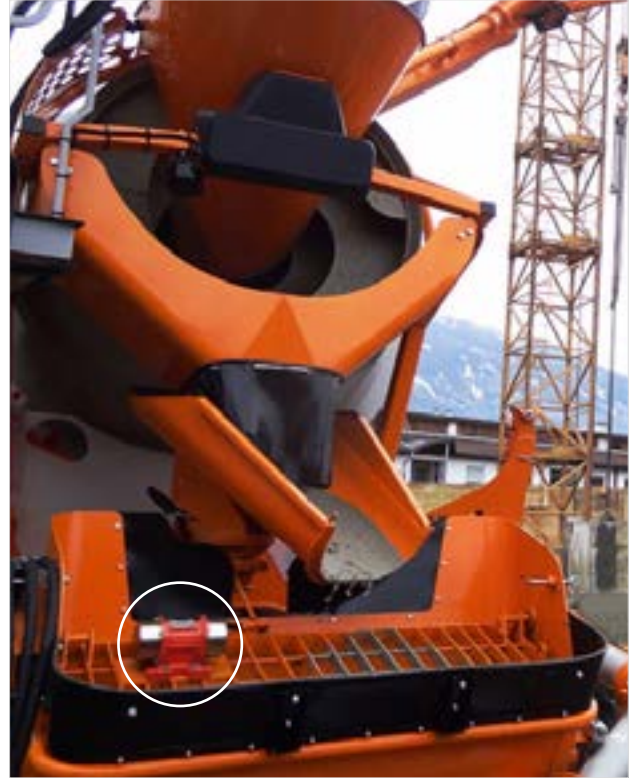
DIRECT CURRENT  
MVE-DC

**HYDRAULIC VIBRATORS**

MVO



VBS (aerators) - Silos



MVE-DC (electric vibrator) - Concrete pump



K (linear pneumatic vibrator) - Hopper emptying



OT (rotary pneumatic vibrator) - Chute on concrete mixer



# RANGE OVERVIEW




## AERATORS AND AIR JET

PHOTO	SERIES	APPLICATIONS	POWDERS	FEATURES	BENEFITS
	BIN AERATORS VB	Silos, hoppers, pipes, dry bulk tank trailers, dry bulk rail tankers.	<b>Suitable for dry, fine powders:</b> Cement, lime, pigments, plastics, starch, flour, sugar, coffee.	Compatible with foods and chemicals.	Economical. Easy to install. Efficient. Durable. Available in two size: MICRO or standard. External mounting.
	AERATION PADS 1100	Silos, hoppers.	<b>Suitable for dry, fine powders:</b> Cement, lime.	Low air consumption (0.2 bar pressure). Create fluid bed.	Economical. Easy to install. External mounting kit.
	AERATION NOZZLES U	Silos, hoppers.	<b>Suitable for dry, fine powders:</b> Cement, lime.	Low air consumption (0.2-1 bar pressure). Create fluid bed.	Economical. Easy to install. Compact design. Suitable for retrofitting. External mounting.
	AIR CANNON PG	Silos, hoppers.	<b>Powders of large particle size and irregular shape; fibrous powders and flakes.</b> Wood fibres, textile fibres, paper, plastics, bran.	Compact design with integrated solenoid valve. The air blade generated by the high pressure jet helps to clean the hopper surface.	Suitable for bridge breaking. Economical. Easy to install. Low air consumption. Mounting plate included.




## PNEUMATIC LINEAR VIBRATORS

PHOTO	SERIES	APPLICATIONS	POWDERS	FEATURES	BENEFITS
	SINGLE IMPACT PS	Silos, storage systems, hoppers.	<b>Hygroscopic powders:</b> flour, detergents, phosphates, fertilizers, lime, cement, clay, pigments.	High impact strength solves bridging or rat holing problems. Atex II3D c T85 °C (available with only pneumatic activation).	Economical. Low air consumption. Efficient. Zero impact on silo structure. Multi-voltage. Integrated solenoid valve. Timer.
	CONTINUOUS IMPACT P	Silos, hoppers, piping, salt spreaders, dump trucks, rail cars.	<b>Hygroscopic, humid powders:</b> sludge, aggregates, sand, salt, foundry sand, animal feed.	Sturdy, compact heavy-duty design, high temperature applications. Atex II2G c Tx Atex II2D c Tx	Economical. Low air consumption. Efficient. Suitable for high temperature and outdoor applications.
	CUSHIONED K	Silos, hoppers, piping, tanks, compacting, vibrating feeders, tables and channels.	<b>Hygroscopic or dusty powders, granules:</b> animal feed, aggregates, plastics, foods.	Suitable for food or chemical applications. Suitable for dusty environments. Atex II2G c Tx Atex II2D c Tx	Economical. Silent. Low air consumption. Easy to install.
	ADJUSTABLE F	Hoppers, chutes, vibrating feeders, tables and channels.	Hygroscopic or dusty powders; granules.	Alternative option to K. Compact design. Available in different shapes and casing materials. Threaded shaft for amplitude and force adjustment. Atex II2G c Tx Atex II2D c Tx	Economical. Silent. Low air consumption. Easy to install. Adjustable force and vibration frequency.


## PNEUMATIC ROTARY VIBRATORS

PHOTO	SERIES	APPLICATIONS	POWDERS	FEATURES	BENEFITS
	BALL VIBRATORS S	Silos, hoppers, piping, chutes, compacting.	<b>Dry powders:</b> granules, plastics, sand, ashes, cement, lime.	Filter sleeve cleaning. Suitable for outdoor use. Resistant to oxidation. Atex II2G c Tx Atex II2D c Tx	Economical. Low air consumption. High frequency vibration.
	ROLLER VIBRATORS OR	Silos, hoppers, piping, chutes, concrete compaction.	<b>Hygroscopic powders:</b> cement, concrete, sand, foundry sand.	Compact and robust design. Suitable for outdoor use. Resistant to oxidations. Atex II2G c Tx Atex II2D c Tx	High centrifugal force. Low air consumption. High frequency vibration. Suitable for high temperature.
	TURBINE VIBRATORS OT	Silos, hoppers, piping, chutes.	<b>Food powders:</b> sugar, bicarbonate, phosphate, sodium.	Suitable for food and pharmaceutical applications. Resistant to oxidation. Atex II2G c Tx Atex II2D c Tx	High centrifugal force. High frequency vibration. Lubrication free. Silent. Low air consumption.

## ELECTRIC VIBRATORS

PHOTO	SERIES	APPLICATIONS	POWDERS	FEATURES	BENEFITS
	DIRECT CURRENT MVE-DC	Automotive, hoppers, salt and manure spreaders, dump trucks, concrete pump grids.	<b>Granular powders:</b> concrete, fertilizers, corn, soy, rice, seeds, salt, sand.	Stainless steel covers. DC Motor 3,000 RPM 12V-24V. Centrifugal force from 50 to 1500Kg.	Economical. Robust. Safe. Terminal box connection sealed (option). Adjustable force.
	2 POLES MVE	Silos, hoppers, dispensers, agitators, mixers, filter cleaning, vibrating feeders and tables.	<b>Fine and dry powders, granules:</b> cement, flour, grit, sugar.	Suitable for indoor and outdoor use. Centrifugal force from 60 to 800Kg. Atex II2D T100 °C.	Economical. Wide range. Special windings for different geographical areas. Adjustable force.
	2 POLES MICRO MVE-MICRO	Small hoppers, micro-screens, chutes, vibrating feeders tables and channels.	<b>Fine, dry powder:</b> plastics, sugar, bicarbonate, seeds.	Compact, uni-body, heavy-duty design. Centrifugal force from 3 to 41Kg. Atex II2D T100 °C.	Economical. Easy to install. Single phase cable with built-in capacitor. Adjustable force.

## HYDRAULIC VIBRATORS

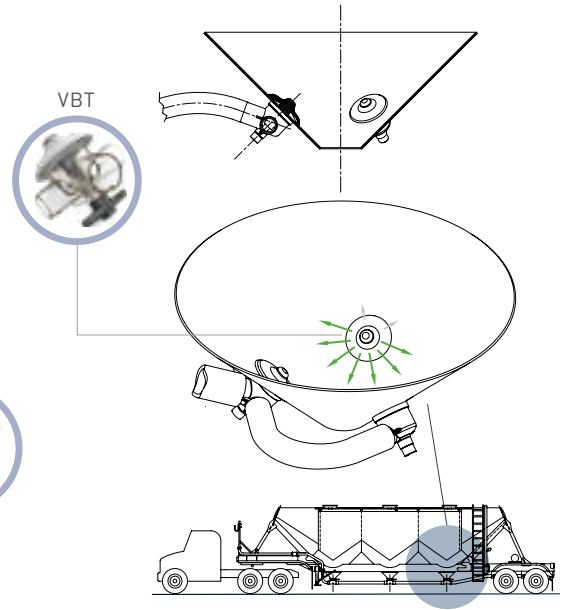
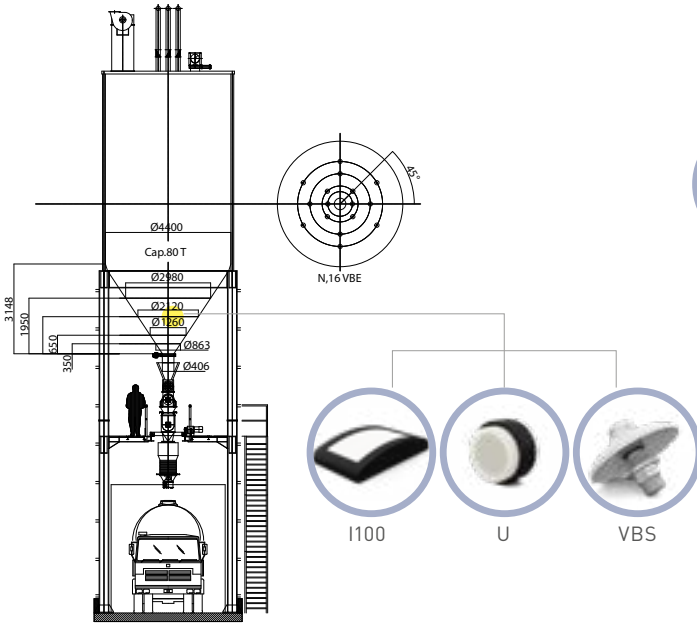
PHOTO	SERIES	APPLICATIONS	POWDERS	FEATURES	BENEFITS
	HYDRAULIC VIBRATOR MVO	Dump trucks, agricultural equipment, digging buckets, pipeline padder equipment, construction equipment.	<b>Hygroscopic, wet, sticky and granular powder:</b> clay, fertilizer, manure, sludge, aggregates.	Continuous duty. Working temperature from -20 to 60 °C (from -4 to 140 °F). Centrifugal force from 208 to 830 Kg. Speed from 3.000 to 6.000 rpm.	Robust. Safe. Easy to install. Compact design. High Force.



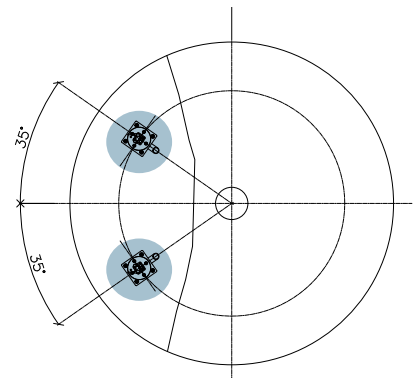
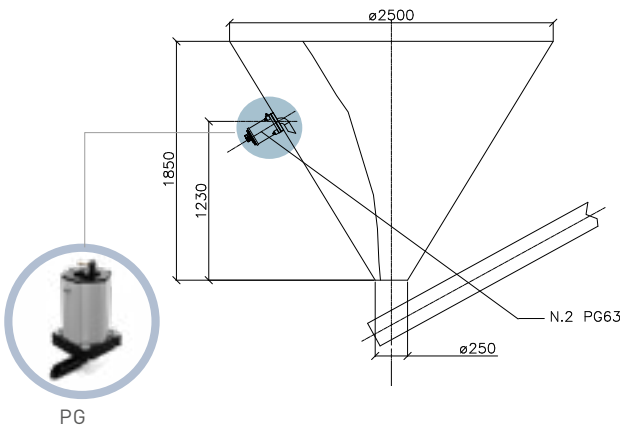
# APPLICATIONS

## INTERNAL APPLICATIONS

### Aerators

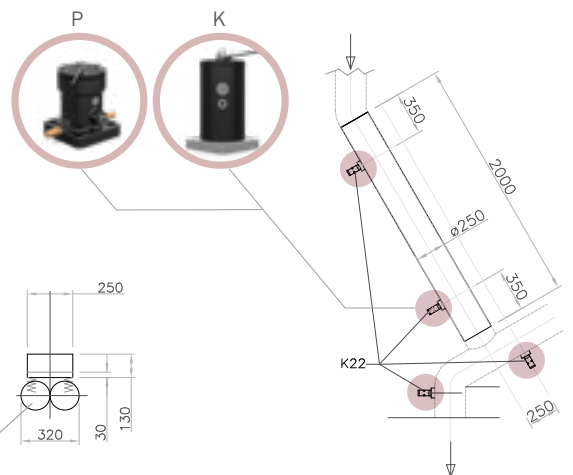
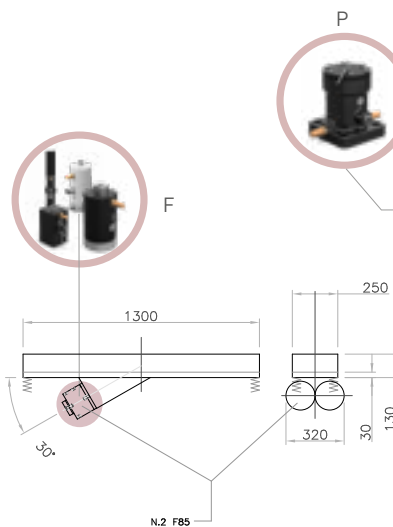
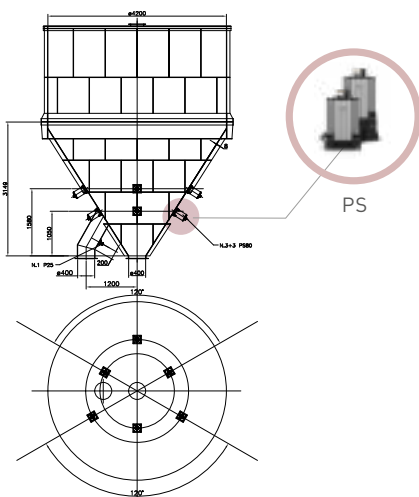


### Air Jet

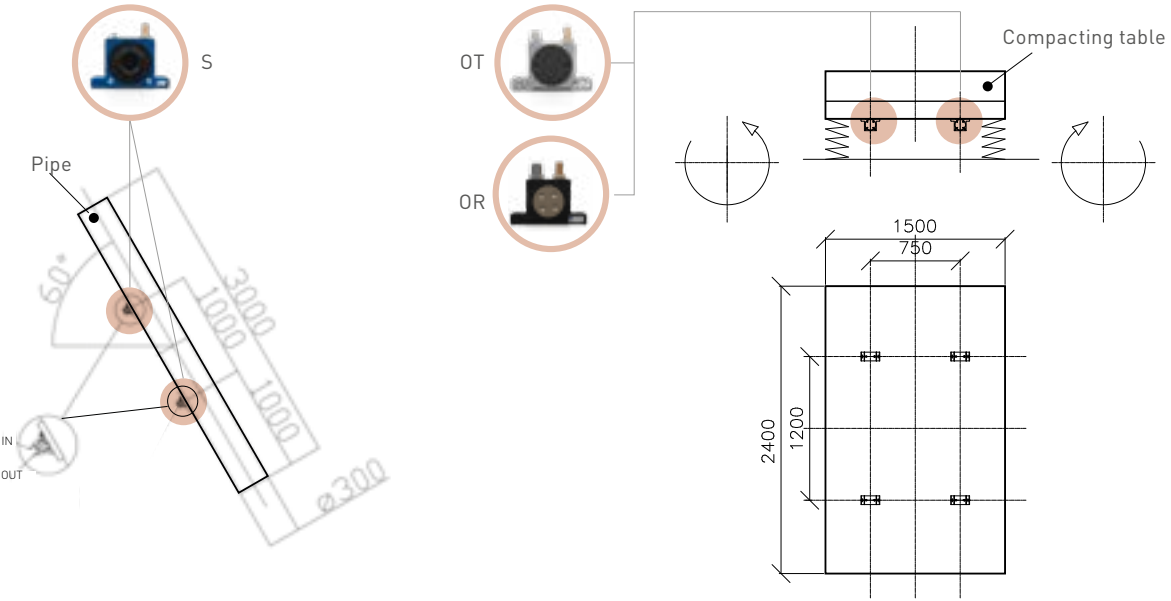


## EXTERNAL APPLICATIONS

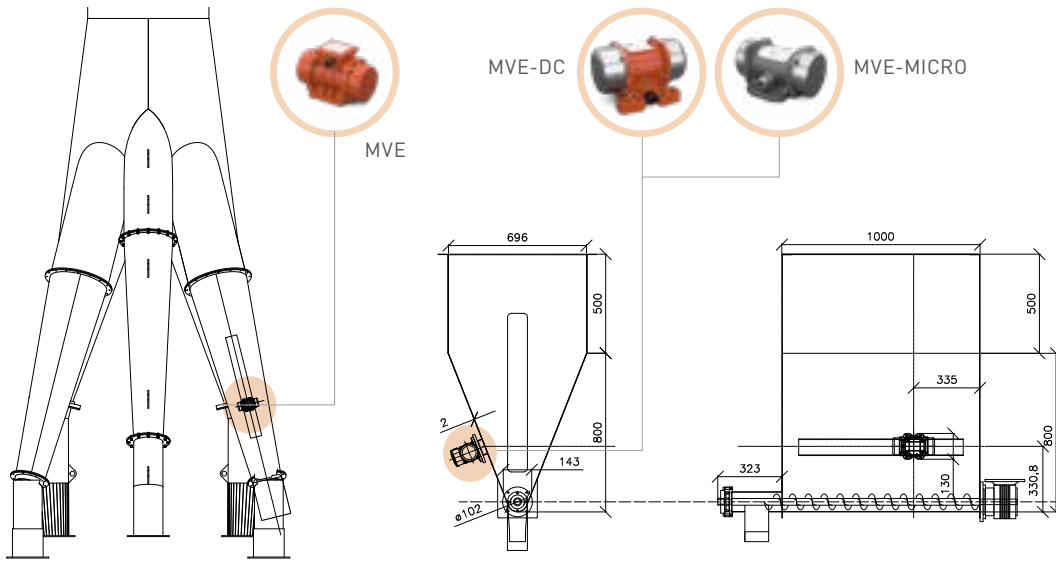
### Pneumatic Linear Vibrators



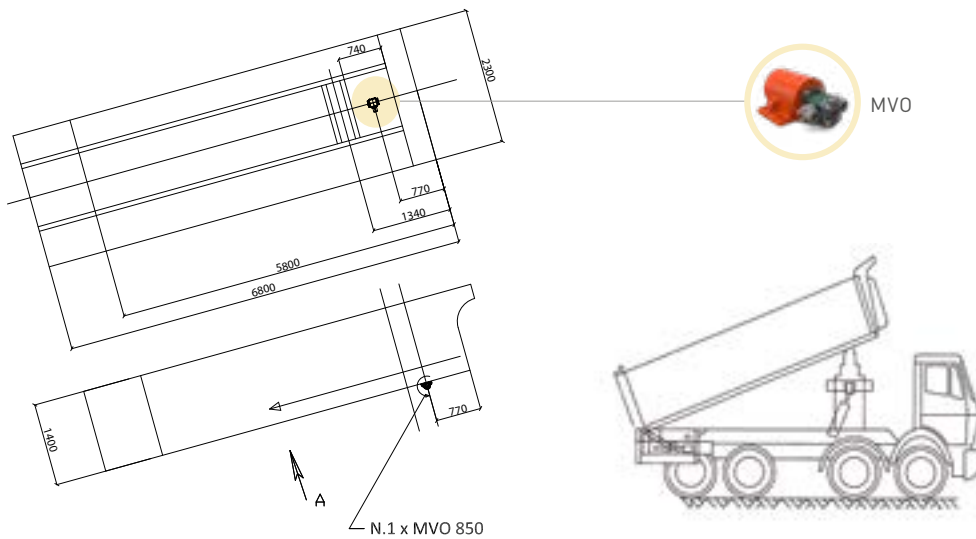
# EXTERNAL APPLICATIONS



**Pneumatic Rotary Vibrators**



**Electric Vibrators**

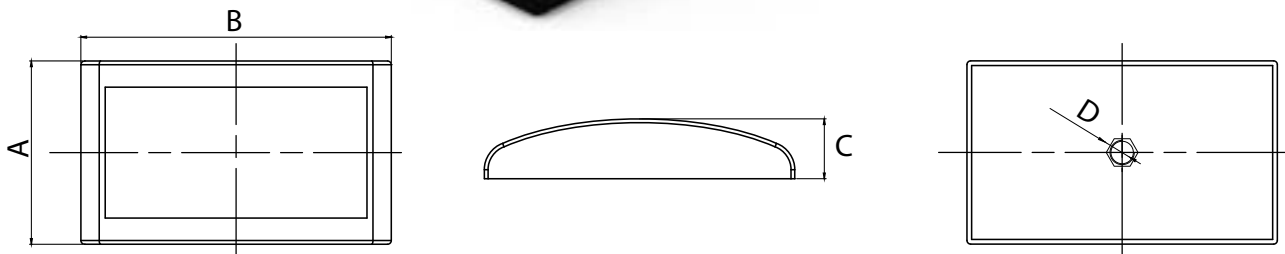


**Hydraulic Vibrators**

# I100 - Aeration pads

The I100 fluidizing plates are installed directly in contact with the material stored in the silo and are able to blow air through a porous membrane, whose semi-convex shape guarantees a wide emission angle.

Low pressure aeration prevents possible product tendencies to form bridges, rat holes, lumps or deposits on the bottom of the cone.



Model	AIR CONSUMPTION	
	0.2 bar (2.9 psi)	
	l/min*	cfm
I100	30	1.05

\* Indicates in l/min the total air consumption normalized at the rated pressure.

Model	DIMENSIONAL SPECIFICATIONS						
	A		B		C		D
	mm	in	mm	in	mm	in	BSPP
I100	98	3.8	166	6.5	32	1.2	1/4

## I100 - AERATION PADS

APPLICATION Hopper and silo

POWDER Fine, light and dry powders (cement and lime)

PROBLEM SOLVING Bridge and rat-holing

## FEATURES

DUTY CYCLE Continuous

WORKING PRESSURE 0.2 bar (2.9 psi)

PNEUMATIC CIRCUIT Filter + flow control valve

AIR SUPPLY QUALITY Class 5.4.1.

WORKING TEMPERATURE From -20 °C to 80 °C (from -4 °F to 176 °F)

TECHNOLOGY Fluidization

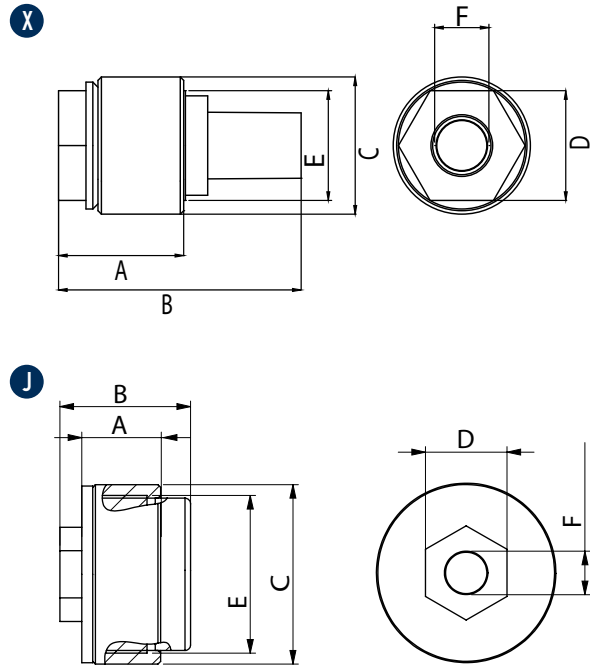
MATERIAL High Density Polyethylene, Polyamide body

NOTE: Dimensions with coarse degree of accuracy related to UNI 22768/1

This information is provided without warranty, representation, inducement or licence of any kind. It is accurate to the best OLI knowledge or is obtained from sources believed to be accurate. OLI therefore assumes no legal responsibility. The latest and most updated information are available online.

# U - Aeration nozzles

The fluidization nozzles U025 and U060 facilitate the flow of material into silos and hoppers thanks to a constant injection of low pressure air. They are a very economical solution and can be easily mounted from the outside on existing silos and hoppers.



Model	Drawing	AIR CONSUMPTION			
		0.2 bar (2.9 psi)		1 bar (14 psi)	
		l/min*	Cfm	l/min*	Cfm
U025	X	27	0.95	96	3.39
U060	J	30	1.05	90	3.17

\* With l/min we indicate NI/min so the air consumption normalized at the rated pressure.

U060 have been tested up to 3 bar in our R&D Dept. showing an air consumption of 210 l/m at 3 bar. Based on application and working condition a lower pressure is always preferable.

Model	DIMENSIONAL SPECIFICATIONS									
	A		B		CØ		D		E	F
	mm	in	mm	in	mm	in	mm	in	BSPP	BSPP
U025	40	1.6	70	2.7	40	1.6	33	1.3	1	1/2
U060	31	1.2	48	1.9	66	2.6	30	1.2	2	3/8

## U - AERATION NOZZLES

APPLICATION	Hopper and silo - piping
POWDER	Fine and dry powders (cement and lime)
PROBLEM SOLVING	Bridge and rat-holing

## FEATURES

DUTY CYCLE	Continuous
WORKING PRESSURE	From 0.2 bar to 1 bar (from 2.9 psi to 14 psi)
PNEUMATIC CIRCUIT	Filter + flow control valve
AIR SUPPLY QUALITY	Class 5.4.1
WORKING TEMPERATURE	From -20 °C to 80 °C (from -4 °F to 176 °F)
TECHNOLOGY	Fluidization
MATERIAL	U060 - ring carbon steel, High Density Polyethylene, Polyamide body U025 - ring carbon steel, sintered brass filter, Polyamide body

NOTE: Dimensions with coarse degree of accuracy related to UNI 22768/1

This information is provided without warranty, representation, inducement or licence of any kind. It is accurate to the best OLI knowledge or is obtained from sources believed to be accurate. OLI therefore assumes no legal responsibility. The latest and most updated information are available online.

# VBS - Bin aerators for silos

The range of VBS vibro-aerators is the result of years of research and development that have led to the creation of a unique and immediately recognizable product, thanks to the patented Tramontana® membrane technology. VBS concentrates the air flow more towards

the outlet of the silo, considerably speeding up the discharge of the material and, therefore, reducing the unloading times and improving the productivity of the plants.



## VBS - BIN AERATORS FOR SILOS

APPLICATION	Silos, hoppers, pipes
POWDER	Dry, fine, granular
PROBLEM SOLVING	Bridge and rat-holing

## FEATURES

DUTY CYCLE	Continuous or discontinuous
WORKING PRESSURE	From 0.8 bar to 6 bar (from 12 psi to 87 psi) - Suggested: 4 bar (58 psi) VBS-Micro: from 0.8 bar to 2 bar (from 12 psi to 29 psi)
PNEUMATIC CIRCUIT	Filter + flow control valve
AIR SUPPLY QUALITY	Non-Lubricated (Class. 5.4.1) DR Inert Gases
TECHNOLOGY	Vibro-Aerator
MATERIAL	Silicone membrane [food grade] - FDA 177.2600, red membrane for high temperature, blu membrane metal detectable Aluminium / stainless steel stem AISI 316 [Food & Pharmaceutical grade] Polyamide body with steel ring, Supralen filter [VBSE]

## OPTIONS

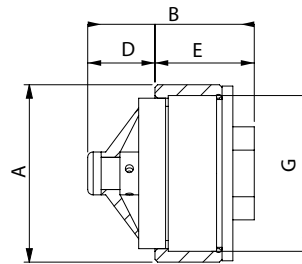
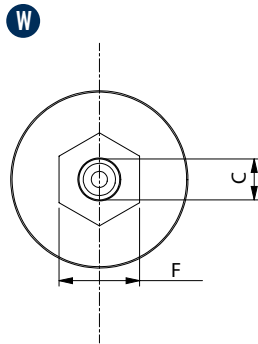
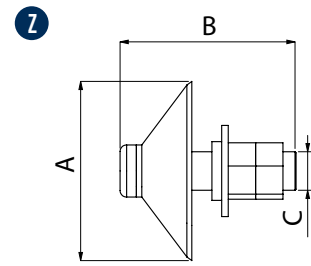
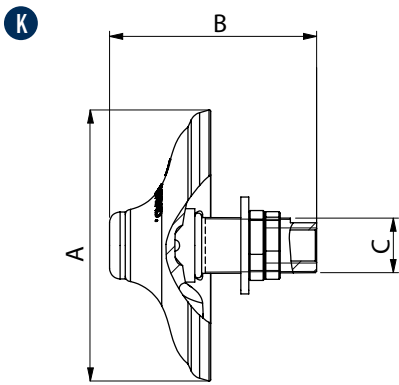
EXTERNAL MOUNTING KIT	Available in rectangular or circular shape made of stainless steel
PLUG & GO	External quick installation system



PLUG & GO System

NOTE: Dimensions with coarse degree of accuracy related to UNI 22768/1

This information is provided without warranty, representation, inducement or licence of any kind. It is accurate to the best OLI knowledge or is obtained from sources believed to be accurate. OLI therefore assumes no legal responsibility. The latest and most updated information are available online.



Model	Drawing	Membrane colour	Stem material	AIR CONSUMPTION								WORKING TEMPERATURE			
				0.8 bar (11.6 psi)		2 bar (29 psi)		4 bar (58 psi)		6 bar (87 psi)		°C		°F	
				l/min*	Cfm	l/min*	Cfm	l/min*	Cfm	l/min*	Cfm	Min.	Max.	Min.	Max.
VBS	K	White	Aluminium	600	21.1	800	28.2	950	33.5	1150	40.6	-40	170	-40	338
VBSI	K	White	Stainless steel	600	21.1	800	28.2	950	33.5	1150	40.6	-40	170	-40	338
VBSIHT	K	Red	Stainless steel	600	21.1	800	28.2	950	33.5	1150	40.6	-40	235	-40	455
VBSIMD	K	Blue	Stainless steel	600	21.1	800	28.2	950	33.5	1150	40.6	-40	170	-40	338
VBSME	W	White	Nylon	130	4.6	150	5.3	-	-	-	-	-40	80	-40	176
VBSM	Z	White	Aluminium	150	5.3	200	7.1	-	-	-	-	-40	170	-40	338
VBSMI	Z	White	Stainless steel	150	5.3	200	7.1	-	-	-	-	-40	170	-40	338
VBSMIHT	Z	Red	Stainless steel	150	5.3	200	7.1	-	-	-	-	-40	235	-40	455
VBSMIMD	Z	Blue	Stainless steel	150	5.3	200	7.1	-	-	-	-	-40	170	-40	338

\* Indicates in l/min the total air consumption normalized at the rated pressure.

Model	Drawing	DIMENSIONAL SPECIFICATIONS											
		A		B		C	D		E		F		G
		mm	in	mm	in	BSPP	mm	in	mm	in	mm	in	BSPP
VBS	K	104	4.1	79	3.1	1/2	-	-	-	-	-	-	-
VBSI	K	104	4.1	79	3.1	1/2	-	-	-	-	-	-	-
VBSIHT	K	104	4.1	79	3.1	1/2	-	-	-	-	-	-	-
VBSIMD	K	104	4.1	79	3.1	1/2	-	-	-	-	-	-	-
VBSME	W	66	2.6	62	2.5	3/8	25	1	37	1.5	30	1.2	2
VBSM	Z	55	2.2	54	2.1	1/4	-	-	-	-	-	-	-
VBSMI	Z	55	2.2	54	2.1	1/4	-	-	-	-	-	-	-
VBSMIHT	Z	55	2.2	54	2.1	1/4	-	-	-	-	-	-	-
VBSMIMD	Z	55	2.2	54	2.1	1/4	-	-	-	-	-	-	-

NOTE: Dimensions with coarse degree of accuracy related to UNI 22768/1

This information is provided without warranty, representation, inducement or licence of any kind. It is accurate to the best OLI knowledge or is obtained from sources believed to be accurate. OLI therefore assumes no legal responsibility. The latest and most updated information are available online.

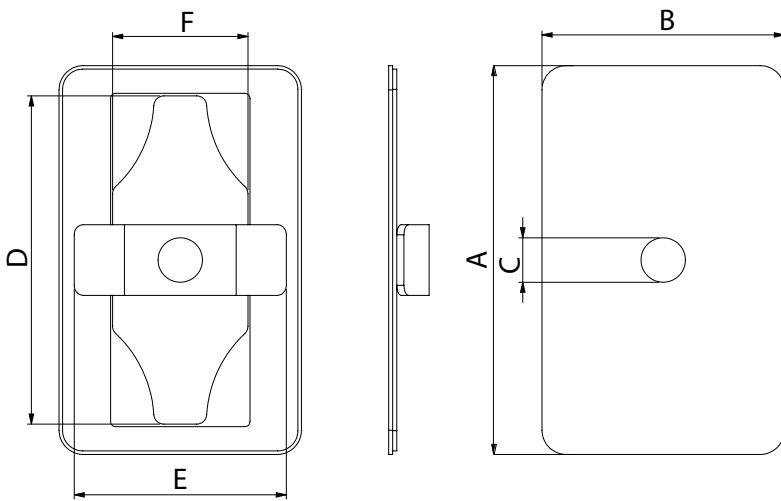


# RPKIT - External rectangular mounting kit

RPKIT is very useful to install VBS from outside on rectangular silos/hoppers.



**NOTE:**  
THE VBS IS NOT INCLUDED IN THE KIT



DIMENSIONAL SPECIFICATIONS

Model	A		B		C Ø		D		E		F	
	mm	in	mm	in	mm	in	mm	in	mm	in	mm	in
RPKIT	192.5	7.6	120	4.7	22	0.9	162.5	6.4	105	4.1	67	2.6

## EXTERNAL RECTANGULAR MOUNTING KIT

**PROBLEM SOLVING** Allows the installation on silos that are difficult to reach from the inside

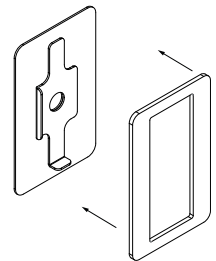
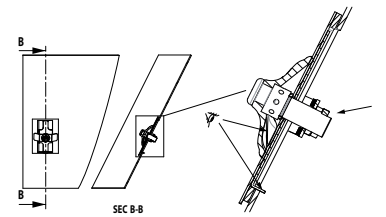
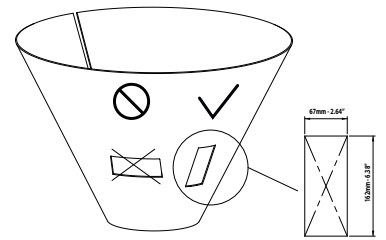
**MATERIAL** AISI 304 Stainless steel rectangular plate  
EPDM sealing gasket

**CUT OUT SIZE** 67 x 162.5 mm (2.64" x 6.40")

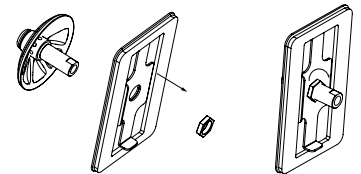
**WORKING TEMPERATURE** From -20 °C to 95 °C (from -4 °F to 203 °F)

NOTE: Dimensions with coarse degree of accuracy related to UNI 22768/1

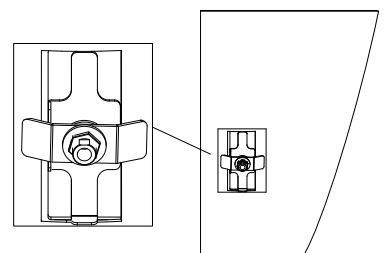
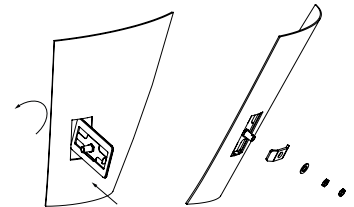
This information is provided without warranty, representation, inducement or licence of any kind. It is accurate to the best OLI knowledge or is obtained from sources believed to be accurate. OLI therefore assumes no legal responsibility. The latest and most updated information are available online.



A → B



A → B

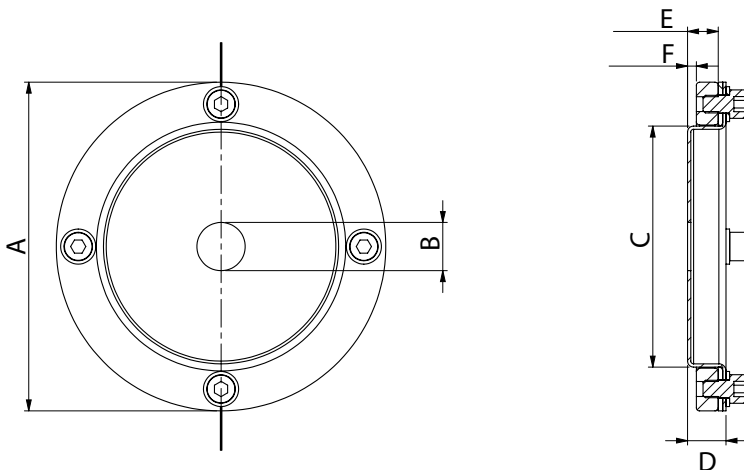


# CPKIT - External circular mounting kit

CPKIT is very useful to install VBS from outside on circular silos/hoppers.



**NOTE:**  
THE VBS IS NOT INCLUDED IN THE KIT



DIMENSIONAL SPECIFICATIONS

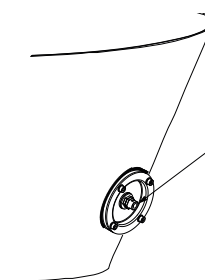
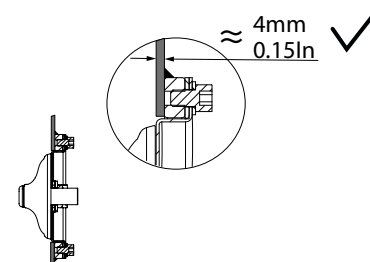
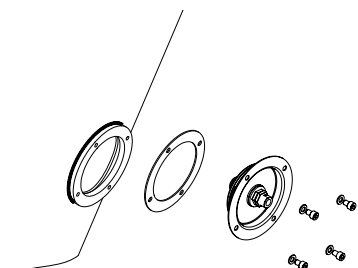
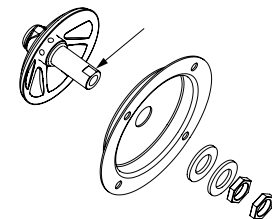
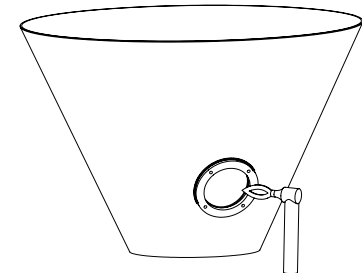
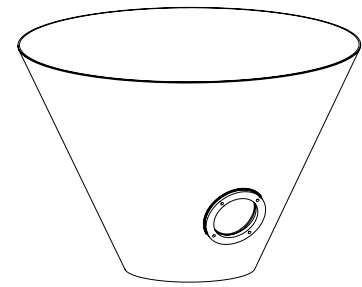
Model	A Ø		B Ø		C Ø		D		E		F	
	mm	in	mm	in	mm	in	mm	in	mm	in	mm	in
CPKIT	150	5.9	22	0.9	110	4.3	17,5	0.7	14	0.5	4	0.1

## EXTERNAL CIRCULAR MOUNTING KIT

<b>PROBLEM SOLVING</b>	Allows the installation on silos that are difficult to reach from the inside
<b>MATERIAL</b>	AISI 304 Stainless steel circular plate S235 JR steel flange NBR sealing gasket
<b>CUT OUT SIZE</b>	Ø 110 mm (Ø 4.33")
<b>WORKING TEMPERATURE</b>	From -40 °C to 80 °C (from -40 °F to 174 °F)

NOTE: Dimensions with coarse degree of accuracy related to UNI 22768/1

This information is provided without warranty, representation, inducement or licence of any kind. It is accurate to the best OLI knowledge or is obtained from sources believed to be accurate. OLI therefore assumes no legal responsibility. The latest and most updated information are available online.



AERATORS

AIR JET

PNEUMATIC LINEAR

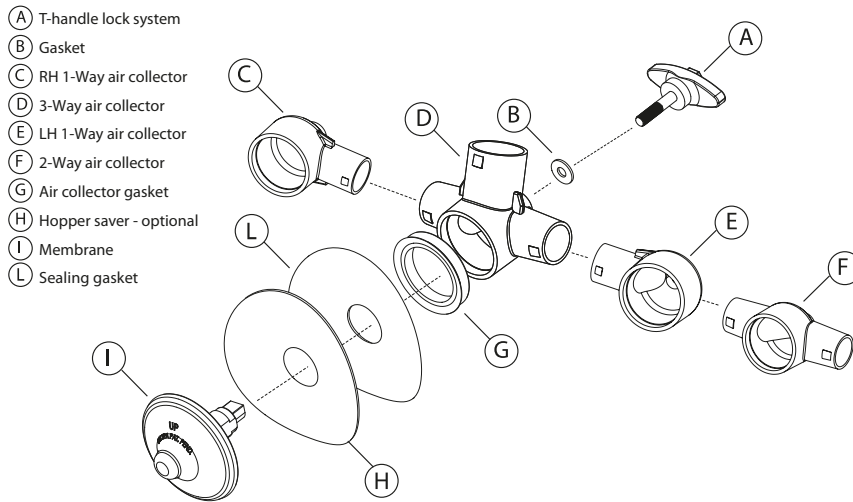
PNEUMATIC ROTARY

ELECTRIC

HYDRAULIC

# VBT - Bin aerators for truck

The range of VBT vibro-aerators is the result of years of research and development that have led to the creation of a unique and high-performance product. Thanks to the special Tramontana® membrane, the VBT concentrates the air flow towards the outlet of the cone, significantly speeding the discharge of the material and, therefore, reducing the discharge times from silo trailers or tanks.



## VBT - BIN AERATORS FOR TRUCK

APPLICATION	Dry bulk tank trailer, rail tanker
POWDER	Dry, fine, granular
PROBLEM SOLVING	Bridging and rat-holing

## FEATURES

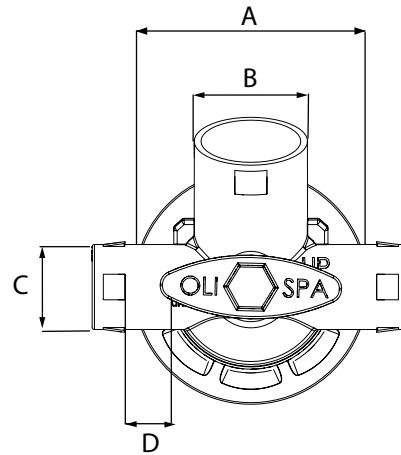
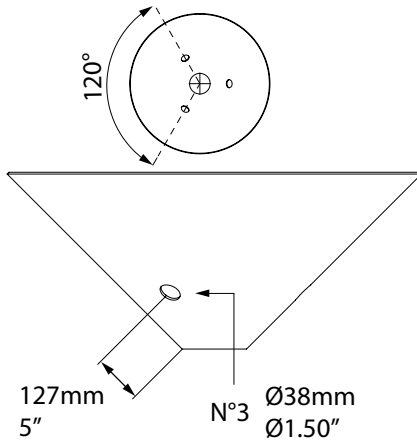
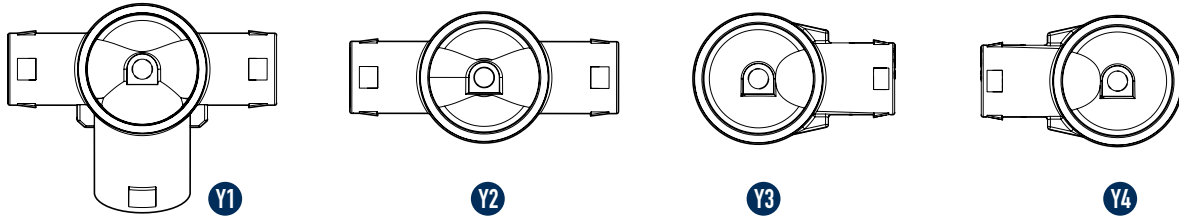
DUTY CYCLE	Continuous (suitable to be used with blower)
WORKING PRESSURE	From 0.7 bar to 2 bar (from 10 psi to 29 psi)
PNEUMATIC CIRCUIT	Suitable standard pneumatic bulk trailer, works with all standard designs
WORKING TEMPERATURE	From -40 °C to 170 °C (from -40 °F to 340 °F)
TECHNOLOGY	Vibro-aeration
MATERIAL	White silicone membrane Blue silicone membrane: metal detectable, comply with FDA 177.2600 Stem - Black polyarylamide glass-fiber reinforced comply with 10/2011/EC - FDA - UL94 Manifold - Black polyarylamide glass-fiber reinforced comply with 10/2011/EC - FDA - UL94 Manifold - Transparent polysulphone comply with ISO 10993 - FDA 21 CFR 177.1655 - NSF 51 - UL94 T-handle - Black polyarylamide glass-fiber reinforced / Stainless steel thread shaft Silicone gasket

## OPTIONS

HOPPER SAVER PLATE	AISI 304 Stainless steel EPDM Gasket
--------------------	---

NOTE: Dimensions with coarse degree of accuracy related to UNI 22768/1

This information is provided without warranty, representation, inducement or licence of any kind. It is accurate to the best OLI knowledge or is obtained from sources believed to be accurate. OLI therefore assumes no legal responsibility. The latest and most updated information are available online.



Model	Drawing	WORKING TEMPERATURE				DIMENSIONAL SPECIFICATIONS							
		°C		°F		A		B		C		D	
		Min.	Max.	Min.	Max.	mm	in	mm	in	mm	in	mm	in
VBT30	Y1	-40	170	-40	338	104	4.1	50.8	2	38	1 - 1/2	6 - 7	0.24 - 0.28
VBT20	Y2	-40	170	-40	338	104	4.1	-	-	38	1 - 1/2	6 - 7	0.24 - 0.28
VBT1L	Y3	-40	170	-40	338	104	4.1	-	-	38	1 - 1/2	6 - 7	0.24 - 0.28
VBT1R	Y4	-40	170	-40	338	104	4.1	-	-	38	1 - 1/2	6 - 7	0.24 - 0.28

NOTE: Dimensions with coarse degree of accuracy related to UNI 22768/1

This information is provided without warranty, representation, inducement or licence of any kind. It is accurate to the best OLI knowledge or is obtained from sources believed to be accurate. OLI therefore assumes no legal responsibility. The latest and most updated information are available online.

# PG - Air cannon

PG air cannons prevents the formation of bridges and rat holes thanks to the high pressure air jet which is blown inside the silos or hoppers on which it is installed.

The air jet is parallel to the internal wall of the silo, in this way the materials with an irregular shape, dry and light, flow down without any accumulation.



## PG - AIR CANNON

APPLICATION	Hopper and silo
POWDER	Large size, irregular shape, fibrous dust and flakes
PROBLEM SOLVING	Bridge, rat-holing and incomplete clean out

## FEATURES

DUTY CYCLE	Discontinuous
WORKING PRESSURE	From 3 bar to 6 bar (from 43 psi to 87 psi)
PNEUMATIC CIRCUIT	Filter + flow control valve
AIR SUPPLY QUALITY	Class 5.4.1.
WORKING TEMPERATURE	From -20 °C to 80 °C (from -4 °F to 176 °F)
MAX NOISE LEVEL	105 dB (a)
TECHNOLOGY	High pressure jet
MATERIAL	Aluminium body, steel plate and aluminium head

## OPTIONS

TIMER	Adjustable from 30 sec to 45 min
MULTI-TENSION COILS	From 24v (Ac/Dc) to 230v
FULLY PNEUMATIC KIT	Available
ELECTRONIC BOARD AND EXTENSION	To control up to 15 cannons

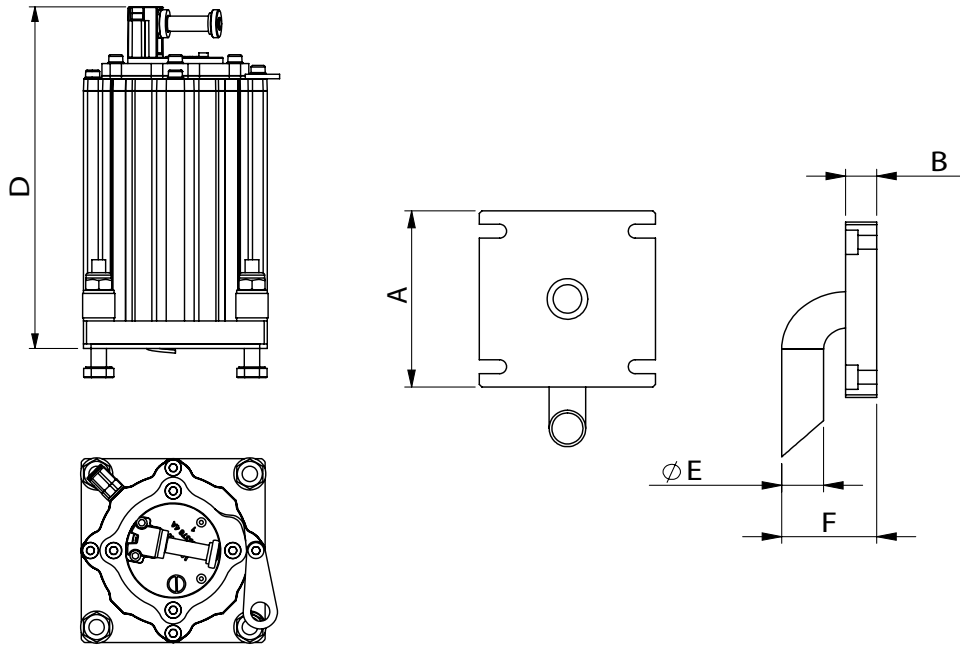
NOTE: Dimensions with coarse degree of accuracy related to UNI 22768/1

This information is provided without warranty, representation, inducement or licence of any kind. It is accurate to the best OLI knowledge or is obtained from sources believed to be accurate. OLI therefore assumes no legal responsibility. The latest and most updated information are available online.



» Conformity with European Directive

U



AIR CONSUMPTION

Model	(L per cycle)				I Ø Pipe		Air inlet
	3 bar	43 psi	6 bar	87 psi	mm	in	BSPP
	PG 40	2.6		4.6		8	0.3
PG 63	6.4		11.6		8	0.3	1/4" BSPP
PG 80	12.5		21		8	0.3	1/4" BSPP

DIMENSIONAL SPECIFICATIONS

Model	Drawing	A		B		D		E	F		Weight	
		mm	in	mm	in	mm	in	Ø	mm	in	Kg	lb
		PG 40	U	130	5.12	20	0.78	223	8.77	27	61	2.40
PG 63	U	160	6.29	20	0.78	263	10.35	42	88	3.46	14	30.86
PG 80	U	200	7.87	25	0.98	318	12.52	48	104	4.09	21	46.30

NOTE: Dimensions with coarse degree of accuracy related to UNI 22768/1

This information is provided without warranty, representation, inducement or licence of any kind. It is accurate to the best OLI knowledge or is obtained from sources believed to be accurate. OLI therefore assumes no legal responsibility. The latest and most updated information are available online.



» Conformity with European Directive

AERATORS

AIR JET

PNEUMATIC LINEAR

PNEUMATIC ROTARY

ELECTRIC

HYDRAULIC

# PS - Single impact

The PS series hammers produce a high impact force thanks to a single impact between the internal piston and the metal base welded on the walls of silos and hoppers. This action is particularly effective in moving powders that tends to compact under pressure or to

adhere to the walls, as well as the majority of granular and bulk materials. For this reason the PS series products represent the ideal solution to the problems of formation of bridges and mouse holes.



PS type "A"



PS type "B"

## PS - SINGLE IMPACT - PNEUMATIC LINEAR VIBRATORS

APPLICATION	Hopper and silo
POWDER	All kind of powders and granular material, hygroscopic included
PROBLEM SOLVING	Bridge, rat-holing and incomplete clean out

## FEATURES

DUTY CYCLE	Discontinuous
WORKING PRESSURE	From 3 bar to 6 bar (from 43 psi to 87 psi)
PNEUMATIC CIRCUIT	Filter + flow control valve
AIR SUPPLY QUALITY	Class 5.4.1.
WORKING TEMPERATURE	From -20 °C to 80 °C (from -4 °F to 176 °F)
MAX NOISE LEVEL	125 dB(a)
TECHNOLOGY	Single impact
MATERIAL	Aluminium body, steel attachment plate, aluminium head

## OPTIONS

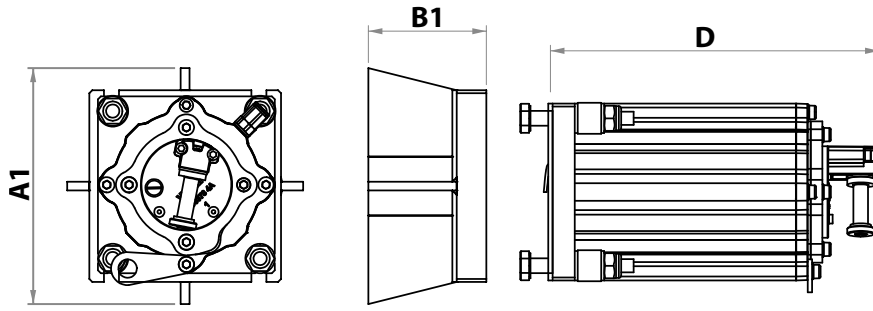
KIT ATEX	II3D Ex h IIIC T85°C Dc - PP plate, WKL® tablet
TIMER	Adjustable from 30 sec to 45 min
MULTI-TENSION COILS	From 24V (AC/DC) to 230V
ELECTRONIC BOARD AND EXTENSION	To control up to 15 hammers
FULLY PNEUMATIC KIT	Available
STAINLESS STEEL PLATE TYPE B	Available Steel AISI 304

NOTE: Dimensions with coarse degree of accuracy related to UNI 22768/1

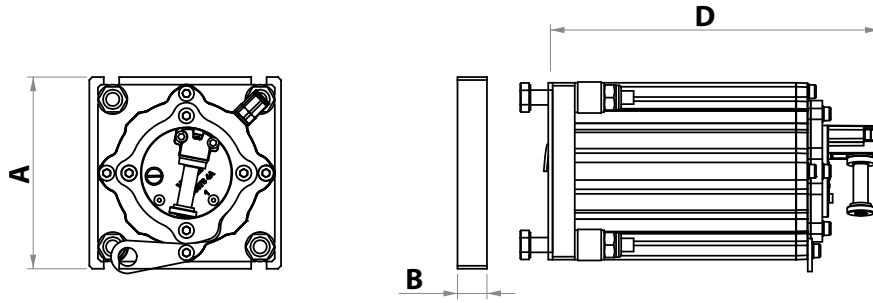
This information is provided without warranty, representation, inducement or licence of any kind. It is accurate to the best OLI knowledge or is obtained from sources believed to be accurate. OLI therefore assumes no legal responsibility. The latest and most updated information are available online.



- » Conformity with European Directive
- » II3D Ex h IIIC T85°C Dc with ATEX KIT



PS TYPE "A"



PS TYPE "B"

**PS TYPE "A" [≤ 3mm HOPPER THICKNESS]**

Model	DIMENSIONAL SPECIFICATIONS							
	A1		B1		D		Weight	
	mm	in	mm	in	mm	in	Kg	lb
PS 40	160	6.3	80	3.1	223	8.8	6.7	14.8
PS 63	200	7.9	95	3.7	263	10.3	15.9	35.0
PS 80	250	9.8	119	4.7	318	12.5	25.6	56.4

**PS TYPE "B" [> 3mm HOPPER THICKNESS]**

Model	DIMENSIONAL SPECIFICATIONS							
	A		B		D		Weight	
	mm	in	mm	in	mm	in	Kg	lb
PS 40	130	5.1	20	0.7	223	8.8	5.1	11.2
PS 63	160	6.3	20	0.7	263	10.3	13.1	28.9
PS 80	200	7.9	25	1.0	318	12.5	20.1	44.3

Model	3 BAR							6 BAR							I Ø Pipe		Air inlet
	Energy		Force		Air consumption			Energy		Force		Air consumption					
	J	lbf/in	N	lb	l/cycle	Cf/cycle	J	lbf/in	N	lb	l/cycle	Cf/cycle	mm	in	BSPP		
PS 40	8.4	74.3	199	44.7	2.6	0.09	18.1	160.2	429	96.4	4.6	0.16	8	0.3	1/8" BSPP		
PS 63	28.8	254.9	589	132.4	6.4	0.22	62.0	548.7	1268	285.0	11.6	0.41	8	0.3	1/4" BSPP		
PS 80	59.2	523.9	846	190.1	12.5	0.44	153.0	1354	2186	491.4	21.0	0.74	8	0.3	1/4" BSPP		

NOTE: Dimensions with coarse degree of accuracy related to UNI 22768/1

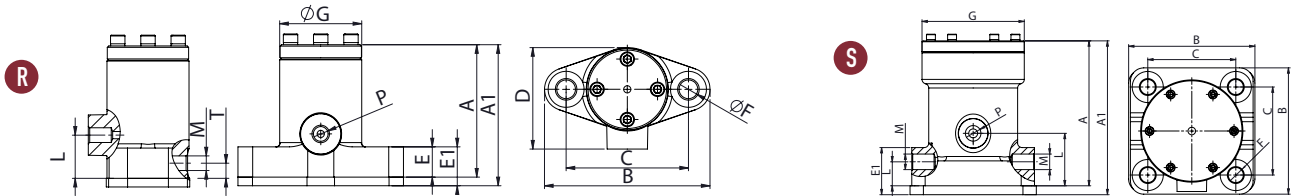
This information is provided without warranty, representation, inducement or licence of any kind. It is accurate to the best OLI knowledge or is obtained from sources believed to be accurate. OLI therefore assumes no legal responsibility. The latest and most updated information are available online.



» Conformity with European Directive  
 » II3D Ex h IIIC T85°C Dc with ATEX KIT

# P - Continuous impact

The pneumatic vibrators of the P range produce an extremely high linear impact force. This is possible thanks to the impact of a piston, positioned inside the body, on the metal base welded directly on the external wall of the hopper. P are extremely effective in preventing the formation of scale, bridges, mouse holes, lumps or deposits of material on the walls.



DIMENSIONAL SPECIFICATIONS

Model	Draw.	A		A1		B		C		D		E		E1		F		G		H		P		L		M		N		Weight	
		mm	in	mm	in	mm	in	mm	in	mm	in	mm	in	mm	in	mm	in	mm	in	mm	in	mm	in	mm	in	mm	in	mm	in	kg	lb
P25	R	92	3.6	98	3.9	115	4.5	85	3.3	70	2.8	21	0.8	27	1.1	13	0.5	58	2.3	30	1.2	1/4"	10	0.4	1/4"	25	1.0	2.2	4.9		
P40	R	121	4.8	127	5.0	148	5.8	110	4.3	91	3.6	25	1.0	31	1.2	17	0.7	75	3.0	45	1.8	3/8"	16	0.6	3/8"	35	1.4	4.5	9.9		
P60	S	163	6.4	173	6.4	138x142	5.4x5.5	99x99	3.9x3.9	125	4.9	28	1.1	38	1.5	17	0.7	115	4.5	60	2.4	1/2"	27	1.1	2x1/2"	60	2.4	11	24.3		

Model	2 BAR (29 PSI)							4 BAR (58 PSI)							6 BAR (87 PSI)									
	Vibr.		Force		Working moment		Air consumption		Vibr.		Force		Working moment		Air consumption		Vibr.		Force		Working moment		Air consumption	
	V/min	N	lb	kgcm	inlb	l/min*	Cfm	V/min	N	lb	kgcm	inlb	l/min*	Cfm	V/min	N	lb	kgcm	inlb	l/min*	Cfm			
P25	2500	294	66	0.43	0.37	55	1.9	3800	680	153	0.43	0.37	80	2.8	4500	954	214	0.43	0.37	125	4.4			
P40	1650	484	109	1.63	1.41	70	2.5	2200	860	193	1.63	1.41	120	4.2	2800	1396	314	1.63	1.41	150	5.3			
P60	1200	1296	291	4.11	3.57	100	3.5	1600	2304	518	4.11	3.57	250	8.8	1900	3250	731	4.11	3.57	300	10.6			

\* Indicates in *l/min* the total air consumption normalized at the rated pressure.

## P - CONTINUOUS IMPACT - PNEUMATIC LINEAR VIBRATORS

APPLICATION Hopper silo - salt spreader - dump trailer - rail cars o rail wagons

POWDER Hygroscopic - humid - sticky

PROBLEM SOLVING Bridge, rat-holing and incomplete clean out

## FEATURES

DUTY CYCLE Continuous

WORKING PRESSURE From 2 bar to 6 bar (from 29 psi to 87 psi)

PNEUMATIC CIRCUIT Filter + regulator + lubrication + 3/2 ways valve N.C.

AIR SUPPLY QUALITY Class 5.4.4.

WORKING TEMPERATURE From -20 °C to +200 °C (from -4 °F to +392 °F) without ATEX Kit  
From -20 °C to +110 °C (from -4 °F to +230 °F) with ATEX Kit

MAX NOISE LEVEL 100 dB(a)

TECHNOLOGY Piston impact

MATERIAL Grey cast iron body (powder painted) - aluminium cover

## OPTIONS

KIT ATEX II2G Ex h IIB Tx Gb  
II2D Ex h IIIC Tx Db

NOTE: Dimensions with coarse degree of accuracy related to UNI 22768/1

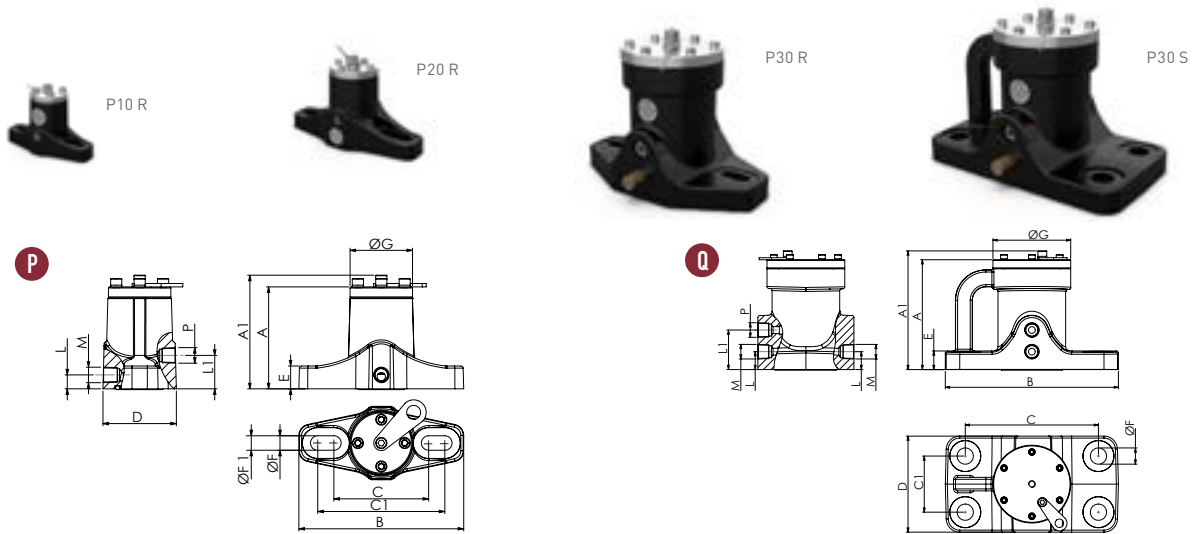
This information is provided without warranty, representation, inducement or licence of any kind. It is accurate to the best OLI knowledge or is obtained from sources believed to be accurate. OLI therefore assumes no legal responsibility. The latest and most updated information are available online.



» Conformity with European Directive  
» II2G Ex h IIB Tx Gb II2D Ex h IIIC Tx Db with ATEX KIT

# P-US - Continuous Impact

P-US are special models, designed for the American market to be interchangeable with many local products.



DIMENSIONAL SPECIFICATIONS

Model	Draw.	A		A1		B		C		C1		D		E		ØF		ØF1		ØG		P	L		L1		M	Weight	
		mm	in	mm	in	mm	in	mm	in	mm	in	mm	in	mm	in	mm	in	mm	in	mm	in	IN NPT	mm	in	mm	in	OUT NPT	kg	lb
P10 R	P	92	3.6	102	4.0	148	5.8	85	3.3	114	4.5	66	2.6	21	0.8	13	0.5	/	/	56	2.2	1/4"	30.	1.2	13	0.5	1/4"	2.2	4.9
P20 R	P	121	4.7	134	5.2	234	9.1	110	4.3	191	7.5	96	3.7	25	1.0	19	0.7	17	0.7	75	2.9	3/8"	45	1.7	19	0.7	3/8"	5.5	12.1
P30 R	P	163	6.3	176	6.8	235	9.2	153	6.0	190	7.4	130	5.1	28	1.1	16	0.6	/	/	115	4.5	1/2"	59	2.3	27	1.0	1/2"	11	24.3
P30 S	Q	163	6.3	176	6.8	256	10	197	7.7	83	3.2	142	5.5	28	1.1	24	0.9	/	/	115	4.5	1/2"	59	2.3	27	1.0	1/2"	14	30.9

Model	2 BAR (29 PSI)								4 BAR (58 PSI)								6 BAR (87 PSI)							
	Vibr.		Force		Working moment		Air consumption		Vibr.		Force		Working moment		Air consumption		Vibr.		Force		Working moment		Air consumption	
	V/min	N	lb	kgcm	inlb	l/min*	Cfm	V/min	N	lb	kgcm	inlb	l/min*	Cfm	V/min	N	lb	kgcm	inlb	l/min*	Cfm			
P10 R	2500	294	66	0.43	0.37	55	1.9	3800	680	153	0.43	0.37	80	2.8	4500	954	214	0.43	0.37	200	7.1			
P20 R	1650	484	109	1.63	1.41	70	1.1	2200	860	193	1.63	1.41	120	4.2	2800	1396	314	1.63	1.41	250	8.8			
P30 R	1200	1296	291	4.11	3.57	100	3.5	1600	2304	518	4.11	3.57	250	8.8	1900	3250	731	4.11	3.57	400	14.1			
P30 S	1200	1296	291	4.11	3.57	100	3.5	1600	2304	518	4.11	3.57	250	8.8	1900	3250	731	4.11	3.57	400	14.1			

\* Indicates in l/min the total air consumption normalized at the rated pressure.

## P-US - CONTINUOUS IMPACT - PNEUMATIC LINEAR VIBRATORS

APPLICATION	Hopper silo - salt spreader - dump trailer - rail cars o rail wagons
POWDER	Hygroscopic - humid - sticky
PROBLEM SOLVING	Bridge, rat-holing and incomplete clean out

## FEATURES

DUTY CYCLE	Continuous
WORKING PRESSURE	From 2 bar to 6 bar (from 29 psi to 87 psi)
PNEUMATIC CIRCUIT	Filter + flow control valve + lubrication + 3/2 ways valve N.C.
AIR SUPPLY QUALITY	Class 5.4.4.
WORKING TEMPERATURE	From -20 °C to 200 °C (from -4 °F to 392 °F)
MAX NOISE LEVEL	100 dB(a)
TECHNOLOGY	Piston impact
MATERIAL	Grey cast iron body (powder painted) - aluminium cover

NOTE: Dimensions with coarse degree of accuracy related to UNI 22768/1

This information is provided without warranty, representation, inducement or licence of any kind. It is accurate to the best OLI knowledge or is obtained from sources believed to be accurate. OLI therefore assumes no legal responsibility. The latest and most updated information are available online.



» Conformity with European Directive  
» II2G Ex h IIB Tx Gb II2D Ex h IIIC Tx Db with ATEX KIT

AERATORS

AIR JET

PNEUMATIC LINEAR

PNEUMATIC ROTARY

ELECTRIC

HYDRAULIC

# K - Cushioned

In pneumatic vibrators K series, the vibration is generated by the linear movement of a floating piston without impact between the internal surfaces.

They represent an excellent solution to rat holes as well as for internal applications that require a noise level below 80 dB (A).



## K - CUSHIONED - PNEUMATIC LINEAR VIBRATORS

APPLICATION	Hopper silo - compaction - vibrating feeder - table and channel
POWDER	Hygroscopic - dusty and granular and electrostatic materials
PROBLEM SOLVING	Bridge and rat-holing - detaching and compacting

## FEATURES

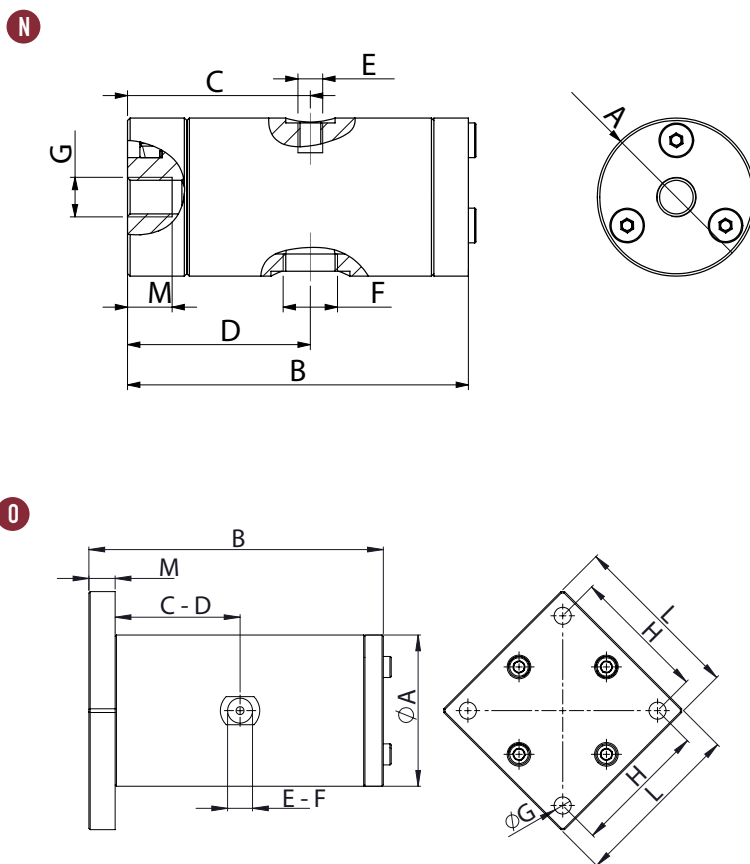
DUTY CYCLE	Continuous
WORKING PRESSURE	From 2 bar to 6 bar (from 29 psi to 87 psi)
PNEUMATIC CIRCUIT	K: Filter + flow control valve + lubrication + 3/2 ways valve N.C. K-LF: Filter + flow control valve + 3/2 ways valve N.C. for lubrication free version
AIR SUPPLY QUALITY	K: Class 5.4.4 K-LF: Class 5.4.1 for lubrication free version
WORKING TEMPERATURE	From -20 °C to 130 °C (from -4 °F to 266 °F)
MAX NOISE LEVEL	80 dB(a)
TECHNOLOGY	Piston cushioned
ATEX	II2G Ex h IIB Tx Gb II2D Ex h IIIC Tx Db
MATERIAL	Aluminium body and Ixef® cover

NOTE: Dimensions with coarse degree of accuracy related to UNI 22768/1

This information is provided without warranty, representation, inducement or licence of any kind. It is accurate to the best OLI knowledge or is obtained from sources believed to be accurate. OLI therefore assumes no legal responsibility. The latest and most updated information are available online.



» Conformity with European Directive  
» II2G Ex h IIB Tx Gb II2D Ex h IIIC Tx Db



DIMENSIONAL SPECIFICATIONS

Model	Draw.	AØ		B		C		D		E		F		GØ		H		L		M		Weight	
		mm	in	mm	in	mm	in	mm	in	IN	OUT		mm	in	mm	in	mm	in	kg	lb			
K 15 - K 15 LF	N	32	1.3	69	2.7	37	1.5	37	1.5	M5	1/8" BSPP	M8	/	/	/	/	9	0.4	0.2	0.4			
K 22 - K 22 LF	N	45	1.8	105	4.1	56	2.2	56	2.2	1/8" BSPP	1/8" BSPP	M10	/	/	/	/	13	0.5	0.5	1.1			
K 30 - K 30 LF	N	60	2.4	116	4.6	62	2.4	62	2.4	1/4" BSPP	1/4" BSPP	M12	/	/	/	/	13	0.5	1.0	2.3			
K 45 - K 45 LF	O	80	3.2	151	5.9	78	3.1	78	3.1	1/4" BSPP	3/8" BSPP	ø 8.5	72	2.8	90	3.5	15	0.6	2.9	6.3			
K 60 - K 60 LF	O	115	4.5	224	8.8	115	4.5	115	4.5	1/2" BSPP	1/2" BSPP	ø 13	102	4.0	130	5.1	20	0.8	4.6	10.1			

LF = Lubrication Free

Model	2 BAR (29 PSI)							4 BAR (58 PSI)							6 BAR (87 PSI)						
	Vibr.		Force		Working moment		Air consumption	Vibr.		Force		Working moment		Air consumption	Vibr.		Force		Working moment		Air consumption
	VPM	N	lb	kgcm	inlb	l/min*	cfm	VPM	N	lb	kgcm	inlb	l/min*	cfm	VPM	N	lb	kgcm	inlb	l/min*	cfm
K 15	5040	33.4	7.5	0.02	0.02	9	0.3	5880	45.4	10.2	0.02	0.02	15	0.5	6720	59.4	13.3	0.02	0.02	21	0.7
K 22	2880	95.4	21.4	0.21	0.18	32	1.1	3480	139.3	31.3	0.21	0.18	50	1.8	4080	191.5	43.0	0.21	0.18	73	2.6
K 30	2640	171.8	38.6	0.45	0.39	45	1.6	3120	239.9	53.9	0.45	0.39	90	3.2	3720	341.1	76.7	0.45	0.39	140	4.9
K 45	1920	390.9	87.8	1.94	1.68	56	2.0	2400	610.8	137.3	1.94	1.68	125	4.4	2580	705.9	158.6	1.94	1.68	194	6.8
K 60	1260	722.6	162.4	8.31	7.21	70	2.7	1560	1107.7	248.9	8.31	7.21	125	4.4	2160	2123.7	477.3	8.31	7.21	202	7.1
K 15 LF	5040	33.4	7.5	0.02	0.02	9	0.3	5880	45.4	10.2	0.02	0.02	15	0.5	6720	59.4	13.3	0.02	0.02	21	0.7
K 22 LF	2880	81.8	18.4	0.18	0.16	32	1.1	3480	119.4	26.8	0.18	0.16	50	1.8	4080	164.1	36.9	0.18	0.16	73	2.6
K 30 LF	2640	160.3	36.0	0.42	0.36	45	1.6	3120	223.9	50.3	0.42	0.36	90	3.2	3720	318.4	71.5	0.42	0.36	140	4.9
K 45 LF	1920	394.2	88.6	1.95	1.69	56	2.0	2400	615.9	138.4	1.95	1.69	125	4.4	2580	711.7	159.9	1.95	1.69	194	6.8
K 60 LF	1260	722.6	162.4	8.31	7.21	70	2.7	1560	1107.7	248.9	8.31	7.21	125	4.4	2160	2123.7	477.3	8.31	7.21	202	7.1

LF = Lubrication Free

\* Indicates in l/min the total air consumption normalized at the rated pressure.

NOTE: Dimensions with coarse degree of accuracy related to UNI 22768/1

This information is provided without warranty, representation, inducement or licence of any kind. It is accurate to the best OLI knowledge or is obtained from sources believed to be accurate. OLI therefore assumes no legal responsibility. The latest and most updated information are available online.



» Conformity with European Directive  
 » II2G Ex h IIB Tx Gb II2D Ex h IIIC Tx Db

# F - Adjustable

The pneumatic vibrators of the F range generate linear vibration thanks to the movement of a floating piston. To meet different application needs, the F series is

available in various shapes, sizes and materials. It is possible to apply additional masses to the piston in order to modify the frequency and the force developed.



## F - ADJUSTABLE - PNEUMATIC LINEAR VIBRATORS

APPLICATION	Vibrating feeder - table and channel
POWDER	Hygroscopic - dusty and granular
PROBLEM SOLVING	Bridge and rat-holing - detaching and compacting

## FEATURES

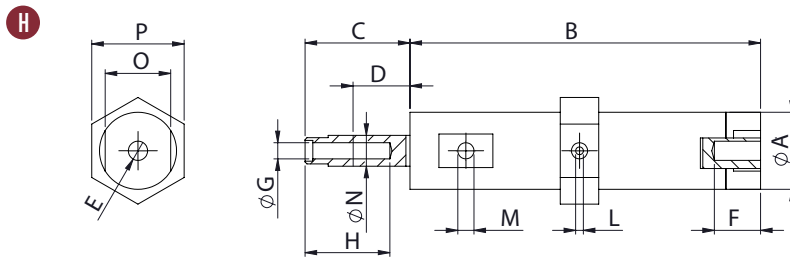
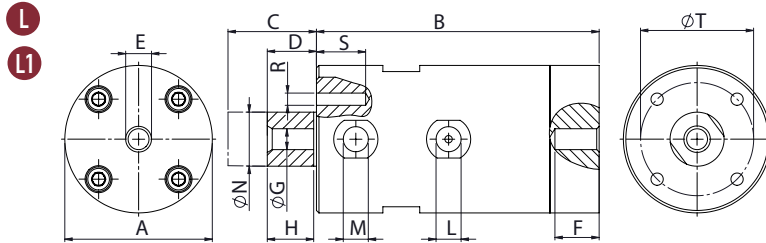
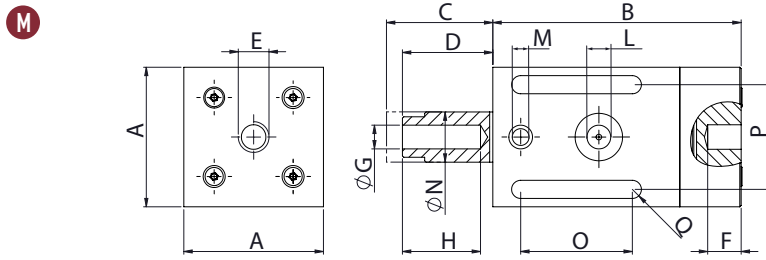
DUTY CYCLE	Continuous
WORKING PRESSURE	From 2 bar to 6 bar (from 29 psi to 87 psi)
PNEUMATIC CIRCUIT	Filter + flow control valve + lubrication + 3/2 ways valve N.C.
AIR SUPPLY QUALITY	Class 5.4.4.
WORKING TEMPERATURE	From -20 °C to 200 °C (from -4 °F to 392 °F)   F15P - from -20 °C to 100 °C (from -4 °F to 212 °F)
MAX NOISE LEVEL	80 dB(a)
TECHNOLOGY	Adjustable piston
ATEX	II2G Ex h IIB Tx Gb II2D Ex h IIIC Tx Db
MATERIAL	Grey cast iron body (powered painted) F15P: nylon body and aluminium cover F18: aluminium body (square shape)

NOTE: Dimensions with coarse degree of accuracy related to UNI 22768/1

This information is provided without warranty, representation, inducement or licence of any kind. It is accurate to the best OLI knowledge or is obtained from sources believed to be accurate. OLI therefore assumes no legal responsibility. The latest and most updated information are available online.



» Conformity with European Directive  
» II2G Ex h IIB Tx Gb II2D Ex h IIIC Tx Db



DIMENSIONAL SPECIFICATIONS

Model	Draw.	A		B		C		D		E		F		G		H		I		L		M		N		O		P		Q		R		S		T		Weight		
		mm	in	mm	in	mm	in	mm	in	mm	in	mm	in	mm	in	mm	in	mm	in	mm	in	IN	OUT	mm	in	mm	in	mm	in	mm	in	mm	in	mm	in	mm	in	kg	lb	
F8	H	20	0.8	91	3.6	30	1.2	5	0.2	M6	10	0.4	M5	20	0.8	7	0.3			M5	M5	8	0.3	17	0.7	24	0.9	/	/	/	/	/	/	/	/	/	/	/	0.1	0.2
F15	L	50	2.0	115	4.5	41	1.6	7	0.3	M10	15	0.6	M10	15	0.6	13	0.5	1/8" BSPP	1/8" BSPP	15	0.6	12	0.5	/	/	36	1.4	M6	18	0.70	36	1.4	1.5	3.3						
F15P	L1	50	2.0	115	4.5	39	1.5	9	0.4	M10	15	0.6	M10	22	0.9	13	0.5	1/8" BSPP	1/8" BSPP	16	0.6	/	/	/	/	/	/	M6	12	0.47	36	1.4	0.5	1.1						
F18	M	50	2.0	89	3.5	32	1.3	10	0.4	M10	10	0.4	M10	26	1.0	12	0.5	1/8" BSPP	1/8" BSPP	18	0.7	40	1.6	38	1.5	7	0.3	/	/	/	/	/	/	/	/	/	/	/	0.6	1.3
F25	L	60	2.4	115	4.5	45	1.8	10	0.4	M10	15	0.6	M10	15	0.6	19	0.8	1/4" BSPP	1/4" BSPP	22	0.9	15	0.6	/	/	46	1.8	M6	18	0.70	46	1.8	2.3	5.1						
F40	L	85	3.4	140	5.5	57	2.2	13	0.5	M16	17	0.7	M16	20	0.8	36	1.4	1/4" BSPP	3/8" BSPP	40	1.6	20	0.8	/	/	65	2.6	M6	16	0.62	65	2.6	5.7	12.5						
F85	L	160	6.3	122	4.8	52	2.1	22	0.9	M20	30	1.2	M20	30	1.2	/	/	3/8" BSPP	2x3/8" BSPP	85	3.3	/	/	/	/	/	/	M10	/	/	140	5.5	16.5	36.3						

Model	2 BAR								4 BAR								6 BAR							
	Vibr.		Force		Working moment		Air consumption		Vibr.		Force		Working moment		Air consumption		Vibr.		Force		Working moment		Air consumption	
	V/min	N	lb	kgcm	inlb	U/min*	cfm	V/min	N	lb	kgcm	inlb	U/min*	cfm	V/min	N	lb	kgcm	inlb	U/min*	cfm			
F8	2020	9.1	2	0.04	0.04	7	0.2	2950	19.3	4.3	0.04	0.04	19	0.7	3600	28.8	6.5	0.04	0.04	28	1.0			
F15	2280	75.7	17	0.27	0.23	20	0.7	2520	92.5	20.8	0.27	0.23	38	1.3	2820	115.9	26	0.27	0.23	67	2.4			
F15P	1920	54.5	12.3	0.27	0.23	20	0.7	2160	69.0	15.5	0.27	0.23	42	1.5	2340	81	18.2	0.27	0.23	80	2.8			
F18	2070	71.8	16.1	0.31	0.27	29	1.0	2520	106.4	23.9	0.31	0.27	55	1.9	3300	182.5	41	0.31	0.27	100	3.5			
F25	1860	108	24.3	0.57	0.49	32	1.1	2040	129.9	29.2	0.57	0.49	60	2.1	2220	179.8	40.4	0.57	0.49	105	3.7			
F40	1380	259.6	58.3	2.49	2.16	80	2.8	1560	331.8	74.6	2.49	2.16	190	6.7	1740	412.8	92.8	2.49	2.16	320	11.2			
F85	1680	2137.2	480.3	13.82	12.00	240	8.4	1980	2968.6	667.1	13.82	12.00	390	13.7	2280	3936.3	884.6	13.82	12.00	580	20.4			

\* Indicates in NI/min the total air consumption normalized at the rated pressure.

NOTE: Dimensions with coarse degree of accuracy related to UNI 22768/1

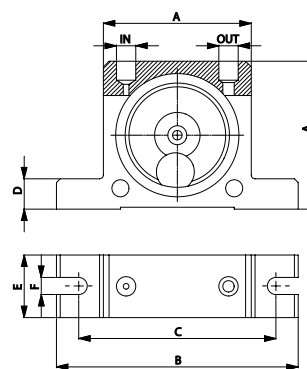
This information is provided without warranty, representation, inducement or licence of any kind. It is accurate to the best OLI knowledge or is obtained from sources believed to be accurate. OLI therefore assumes no legal responsibility. The latest and most updated information are available online.



» Conformity with European Directive  
» II2G Ex h IIB Tx Gb II2D Ex h IIIC Tx Db

# S - Ball vibrator

The OLI "S" series pneumatic rotational vibrators generate high frequency vibration thanks to a steel ball that rotates inside two housings made of hardened and ground steel.



DIMENSIONAL SPECIFICATIONS															
Model	A		B		C		D		E		F		IN-OUT	Weight	
	mm	in	mm	in	mm	in	mm	in	mm	in	mm	in		kg	lb
S8	50	2.0	86	3.4	68	2.7	12	0.5	20	0.8	7	0.3	1/8" BSPP	0.13	0.29
S10	50	2.0	86	3.4	68	2.7	12	0.5	20	0.8	7	0.3	1/8" BSPP	0.13	0.29
S13	65	2.6	113	4.5	90	3.5	16	0.6	25	1.0	9	0.4	1/4" BSPP	0.26	0.57
S16	65	2.6	113	4.5	90	3.5	16	0.6	28	1.1	9	0.4	1/4" BSPP	0.30	0.66
S20	80	3.2	128	5.1	104	4.1	16	0.6	33	1.3	9	0.4	1/4" BSPP	0.53	1.17
S25	80	3.2	128	5.1	104	4.1	16	0.6	38	1.5	9	0.4	1/4" BSPP	0.63	1.39
S30	100	3.9	160	6.3	130	5.1	20	0.8	45	1.8	11	0.4	3/8" BSPP	1.13	2.49
S36	100	3.9	160	6.3	130	5.1	20	0.8	50	2.0	11	0.4	3/8" BSPP	1.34	2.95

Model	VIBRATION			C.F. MAX						AIR CONSUMPTION					
	Vpm			2 bar (29 psi)		4 bar (58psi)		6 bar (87 psi)		2 bar (29 psi)		4 bar (58psi)		6 bar (87 psi)	
	2 bar (29 psi)	4 bar (58psi)	6 bar (87 psi)	kg	lb	kg	lb	kg	lb	l/min*	CF/min	l/min*	CF/min	l/min*	CF/min
S8	25500	31000	35000	13	29	26	57	36	79	83	2.9	145	5.1	195	6.9
S10	22500	28000	34000	25	55	47	103	71	156	92	3.2	150	5.3	200	7.1
S13	15000	18500	22500	32	70	55	121	87	191	94	3.3	158	5.6	225	7.9
S16	13000	17000	19500	45	99	80	176	110	242	122	4.3	200	7.1	280	9.9
S20	10500	14500	16500	72	158	122	268	172	378	130	4.6	230	8.1	340	12.0
S25	9200	12200	14000	93	205	157	345	205	451	160	5.7	290	10.2	425	15.0
S30	7800	9700	12500	151	332	247	543	321	706	215	7.6	375	13.2	570	20.1
S36	7300	9000	10000	206	453	315	693	405	891	260	9.2	475	16.8	675	23.8

\* Indicates in l/min the total air consumption normalized at the rated pressure.

## S - BALL - PNEUMATIC ROTARY VIBRATORS

APPLICATION	Hopper and silo - screen - vibrating table - chute
POWDER	Dry and granular
PROBLEM SOLVING	Bridge and rat-holing - friction reduction - separation
<b>FEATURES</b>	
DUTY CYCLE	Discontinuous
WORKING PRESSURE	From 2 bar to 6 bar (from 29 psi to 87 psi)
PNEUMATIC CIRCUIT	Filter + flow control valve + lubrication + 3/2 ways valve N.C.
AIR SUPPLY QUALITY	Class 5.4.4.
WORKING TEMPERATURE	From -20 °C to 150 °C (from -4 °F to 302 °F)
MAX NOISE LEVEL	90 dB(a)
TECHNOLOGY	Rotary vibration - high frequency
ATEX	II 2D c Tx II 2G c Tx
MATERIAL	Aluminium body

NOTE: Dimensions with coarse degree of accuracy related to UNI 22768/1

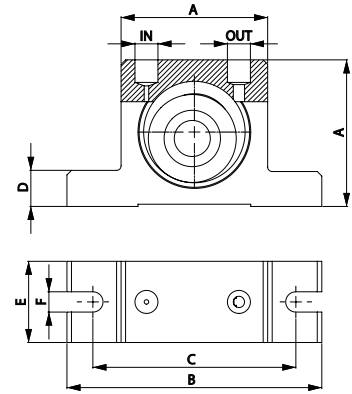
This information is provided without warranty, representation, inducement or licence of any kind. It is accurate to the best OLI knowledge or is obtained from sources believed to be accurate. OLI therefore assumes no legal responsibility. The latest and most updated information are available online.



- » Conformity with European Directive
- » II2G Ex h IIB Tx Gb II2D Ex h IIIC Tx Db
- » III Db c TX

# OR - Roller vibrator

In the OR series, high frequency vibration is generated by a roller that describes an epicycloidal movement inside two housings made of hardened and ground steel. The OR series is characterized by high speed, great centrifugal force (up to 783 kg) and low air consumption.



DIMENSIONAL SPECIFICATIONS

Model	A		B		C		D		E		F		IN-OUT	Weight	
	mm	in	mm	in	mm	in	mm	in	mm	in	mm	in		kg	lb
OR50	50	2.0	86	3.4	68	2.7	12	0.5	30	1.2	7	0.3	1/8" BSPP	0.37	0.81
OR65	65	2.6	113	4.5	90	3.5	16	0.6	36	1.4	9	0.4	1/4" BSPP	0.76	1.67
OR80	80	3.2	128	5.1	102	4.0	16	0.6	40	1.6	9	0.4	1/4" BSPP	1.27	2.79
OR100	100	3.9	160	6.3	130	5.1	20	0.8	52	2.1	11	0.4	1/4"-3/8" BSPP	2.60	5.72

Model	VIBRATION			C.F. MAX						AIR CONSUMPTION					
	Vpm			2 bar (29 psi)		4 bar (58psi)		6 bar (87psi)		2 bar (29 psi)		4 bar (58psi)		6 bar (87psi)	
	2 bar (29 psi)	4 bar (58psi)	6 bar (87psi)	kg	lb	kg	lb	kg	lb	l/min*	CF/min	l/min*	CF/min	l/min*	CF/min
OR50	21000	25000	29500	188	413	281	619	355	780	78	2.8	144	5.1	204	7.2
OR65	19000	22000	26000	235	516	439	966	552	1215	100	3.5	198	7.0	296	10.5
OR80	14000	16000	21500	342	752	587	1292	624	1373	122	4.3	255	9.0	378	13.3
OR100	6750	9750	11000	289	637	604	1329	783	1722	132	4.7	284	10.0	412	14.5

\* Indicates in l/min the total air consumption normalized at the rated pressure.

## OR - ROLLER - PNEUMATIC ROTARY VIBRATORS

APPLICATION	Hopper and silo - piping - chute - concrete compaction
POWDER	Hygroscopic
PROBLEM SOLVING	Bridge and rat-holing - friction reduction - separation

## FEATURES

DUTY CYCLE	Discontinuous
WORKING PRESSURE	From 2 bar to 6 bar (from 29 psi to 87 psi)
PNEUMATIC CIRCUIT	Filter + flow control valve + lubrication + 3/2 ways valve N.C.
AIR SUPPLY QUALITY	Class 5.4.4.
WORKING TEMPERATURE	From -20 °C to 200 °C (from -4 °F to 392 °F)
MAX NOISE LEVEL	<90 dB(a)
TECHNOLOGY	Roller vibration - high frequency and centrifugal force
ATEX	II 2D c Tx II 2G c Tx
MATERIAL	Aluminium body and brass cover

NOTE: Dimensions with coarse degree of accuracy related to UNI 22768/1

This information is provided without warranty, representation, inducement or licence of any kind. It is accurate to the best OLI knowledge or is obtained from sources believed to be accurate. OLI therefore assumes no legal responsibility. The latest and most updated information are available online.



- » Conformity with European Directive
- » II2G Ex h IIB Tx Gb II2D Ex h IIIC Tx Db
- » III Db c TX

# OT - Turbine vibrator

The OT generate a high frequency vibration due to rotation at high speed of a turbine with integrated masses.

Compared to the S (ball) and OR (roller) series, the OT

series is quieter and has a higher rotation speed thanks to the presence of bearings, developing centrifugal forces of up to 781 kg.



## OT - TURBINE - PNEUMATIC ROTARY VIBRATORS

APPLICATION	Hopper and silo - vibrating table - chute - concrete consolidation
POWDER	Dry and granular [food] - concrete
PROBLEM SOLVING	Bridge and rat-holing - friction reduction - separation - consolidation

## FEATURES

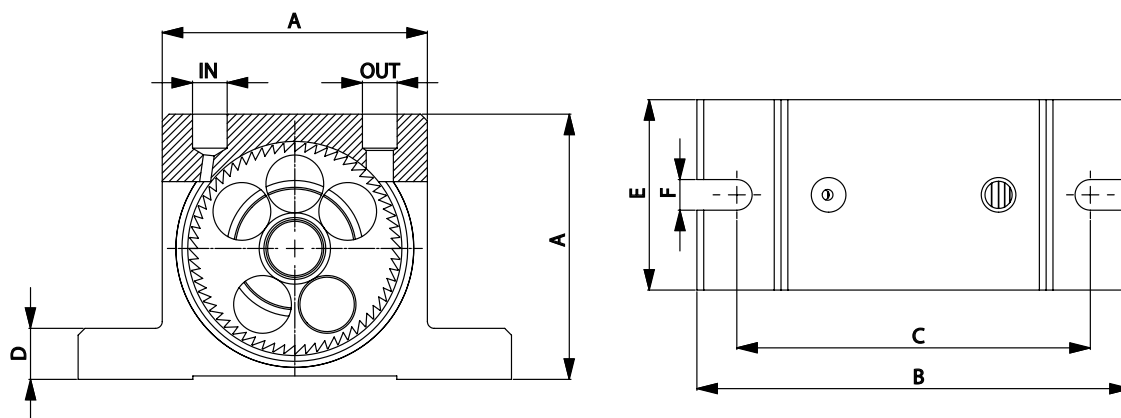
DUTY CYCLE	Discontinuous
WORKING PRESSURE	From 2 bar to 6 bar (from 29 psi to 87 psi)
PNEUMATIC CIRCUIT	Filter + flow control valve + 3/2 ways valve N.C.
AIR SUPPLY QUALITY	Class 5.4.1.
WORKING TEMPERATURE	From -20 °C to 120 °C (from -4 °F to 248 °F)
MAX NOISE LEVEL	<90 dB(a)
TECHNOLOGY	Turbine vibration - high frequency and centrifugal force
ATEX	II 2D c Tx II 2G c Tx
MATERIAL	Aluminium body

NOTE: Dimensions with coarse degree of accuracy related to UNI 22768/1

This information is provided without warranty, representation, inducement or licence of any kind. It is accurate to the best OLI knowledge or is obtained from sources believed to be accurate. OLI therefore assumes no legal responsibility. The latest and most updated information are available online.



- » Conformity with European Directive
- » II2G Ex h IIB Tx Gb II2D Ex h IIIC Tx Db
- » III Db c TX



DIMENSIONAL SPECIFICATIONS

Model	A		B		C		D		E		F		IN-OUT	Weight	
	mm	in	mm	in	mm	in	mm	in	mm	in	mm	in		kg	lb
OT8	50	2.0	86	3.4	68	2.7	12	0.5	33	1.3	7	0.3	1/8" BSPP	0.25	0.55
OT10	50	2.0	86	3.4	68	2.7	12	0.5	33	1.3	7	0.3	1/8" BSPP	0.26	0.56
OT10S	50	2.0	86	3.4	68	2.7	12	0.5	33	1.3	7	0.3	1/8" BSPP	0.26	0.58
OT13	65	2.6	113	4.5	90	3.5	16	0.6	42	1.7	9	0.4	1/4" BSPP	0.57	1.24
OT16	65	2.6	113	4.5	90	3.5	16	0.6	42	1.7	9	0.4	1/4" BSPP	0.58	1.28
OT16S	65	2.6	113	4.5	90	3.5	16	0.6	42	1.7	9	0.4	1/4" BSPP	0.61	1.35
OT20	80	3.2	128	5.0	104	4.1	16	0.6	56	2.2	9	0.4	1/4" BSPP	1.09	2.40
OT25	80	3.2	128	5.0	104	4.1	16	0.6	56	2.2	9	0.4	1/4" BSPP	1.12	2.46
OT25S	80	3.2	128	5.0	104	4.1	16	0.6	56	2.2	9	0.4	1/4" BSPP	1.20	2.64
OT30	100	3.9	160	6.3	130	5.1	20	0.8	73	2.9	11	0.4	3/8" BSPP	2.20	4.84
OT36	100	3.9	160	6.3	130	5.1	20	0.8	73	2.9	11	0.4	3/8" BSPP	2.30	5.06
OT36S	100	3.9	160	6.3	130	5.1	20	0.8	73	2.9	11	0.4	3/8" BSPP	2.53	5.57

Model	VIBRATION			C.F. MAX						AIR CONSUMPTION					
	Vpm			2 bar (29 psi)		4 bar (58psi)		6 bar (87psi)		2 bar (29 psi)		4 bar (58psi)		6 bar (87psi)	
	2 bar (29 psi)	4 bar (58psi)	6 bar (87psi)	kg	lb	kg	lb	kg	lb	l/min*	CF/min	l/min*	CF/min	l/min*	CF/min
OT8	34000	38000	42000	110	242	205	451	292	641	45	1.6	81	2.9	110	3.9
OT10	26000	33000	38000	105	231	171	377	252	554	45	1.6	81	2.9	110	3.9
OT10S	17200	23400	26000	72	159	147	323	187	410	45	1.6	81	2.9	110	3.9
OT13	24500	28500	31000	202	444	263	579	300	659	122	4.3	204	7.2	285	10.1
OT16	18000	20000	21000	194	427	239	527	264	581	122	4.3	204	7.2	285	10.1
OT16S	11500	15000	17500	129	285	196	431	234	516	122	4.3	204	7.2	285	10.1
OT20	14500	19000	23000	251	552	404	888	526	1157	184	6.5	318	11.2	452	16.0
OT25	13200	15500	17000	244	537	336	740	508	1117	184	6.5	318	11.2	452	16.0
OT25S	9000	11000	13500	214	471	335	738	483	1063	184	6.5	318	11.2	452	16.0
OT30	11000	12500	14500	351	771	721	1586	781	1718	322	11.4	542	19.1	749	26.5
OT36	8500	11500	12000	341	751	698	1536	749	1648	322	11.4	542	19.1	749	26.5
OT36S	6000	7000	8500	406	893	706	1554	754	1660	322	11.4	542	19.1	749	26.5

\* Indicates in l/min the total air consumption normalized at the rated pressure.

NOTE: Dimensions with coarse degree of accuracy related to UNI 22768/1

This information is provided without warranty, representation, inducement or licence of any kind. It is accurate to the best OLI knowledge or is obtained from sources believed to be accurate. OLI therefore assumes no legal responsibility. The latest and most updated information are available online.



» Conformity with European Directive  
 » II2G Ex h IIB Tx Gb II2D Ex h IIIC Tx Db  
 » III Db c TX

AERATORS

AIR JET

PNEUMATIC LINEAR

PNEUMATIC ROTARY

ELECTRIC

HYDRAULIC

# MVE-DC - Direct current electric vibrators

The MVE DC electric vibrators consist of an electric motor (12 or 24 volts) housed in a robust aluminium casing, with eccentric weights mounted on both ends of the shaft.

The MVE-DC is designed for concrete mixers and other industrial or agricultural vehicles, capable of withstanding harsh environments.



II 3D Temp. Class: ● 100 °C

Wm (kgcm)	Model	RPM	Centrifugal Force (kg)	Weight (kg)	ELECTRICAL SPECIFICATIONS			
					Input Power (kW)	Nominal Current A max	Cable Gland	
1.0	MVE 50/3N-DC-10A0-12V	3,000	50	4.4	0.08	6.60	M16	●
1.0	MVE 50/3N-DC-10A0-24V	3,000	50	4.4	0.08	3.30	M16	●
1.1	MVE 120/3N-DC-23A0-12V	3,000	117	7.2	0.12	9.50	M20	●
1.1	MVE 120/3N-DC-23A0-24V	3,000	117	7.2	0.12	4.80	M20	●
4.2	MVE 200/3N-DC-23A0-12V	3,000	200	6.5	0.16	13.30	M20	●
4.2	MVE 200/3N-DC-23A0-24V	3,000	200	6.5	0.16	6.70	M20	●
10.4	MVE 500/3N-DC-40A0-24V	3,000	530	15.8	0.26	11.00	M20	●
22.4	MVE 1500/3N-DC-50A0-24V	3,000	1,616	23	0.52	21.50	M20	●
22.4	MVE 1500/3N-BL-50A0-24V *	3,000	1,616	23	0.5	20	M20	●

\* Brushless

## MVE-DC - DIRECT CURRENT ELECTRIC VIBRATORS

**APPLICATION** Dump truck - concrete pump - automotive hopper - salt spreader - tipper trailer

**POWDER** Granular - Concrete

**PROBLEM SOLVING** Bridge and rat-holing

## FEATURES

**DUTY CYCLE** Continuous - S1

**ENVIRONMENT TEMPERATURE** From -20 °C to 40 °C (from -4 °F to 104 °F)

**MAX NOISE LEVEL** 76 dB(a)

**ATEX** II 3D Ex tc IIIC Tx IP69K

**MATERIAL** Body aluminium - stainless steel /aluminium (powder painted) cover

## OPTIONS

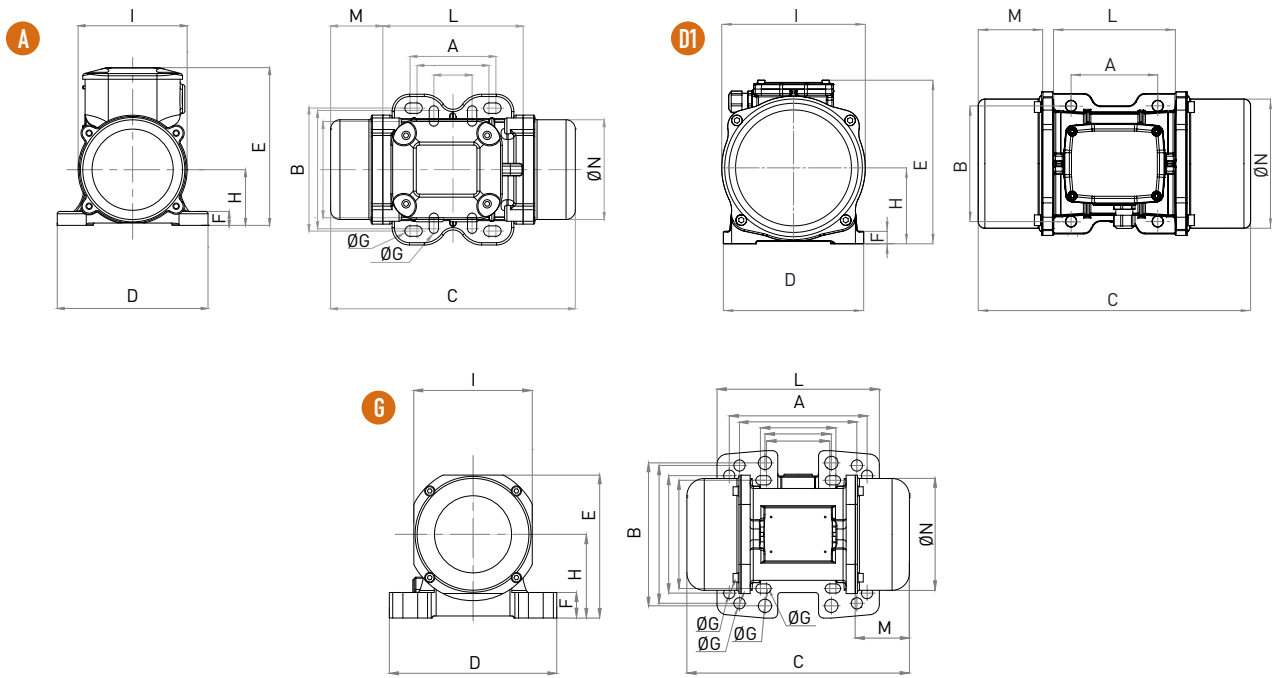
**CABLE** Available on request, customisable

NOTE: Dimensions with coarse degree of accuracy related to UNI 22768/1

This information is provided without warranty, representation, inducement or licence of any kind. It is accurate to the best OLI knowledge or is obtained from sources believed to be accurate. OLI therefore assumes no legal responsibility. The latest and most updated information are available online.



- » II 3D Ex tc IIIC Tx IP69K
- » Equipment and protective system intended for use in potentially explosive atmospheres (Zone 22) - Directive 2014/34/UE
- » Compliance with Essential Health and Safety Requirements
- » IEC 60034-1, IEC EN 60079-0, IEC EN 60079-31



DIMENSIONAL SPECIFICATIONS (mm)

Model	Drawing	Size	C	M	A	B	Ø G	Holes	D	E	F	H	I	L	N
MVE 50/3N-DC-10A0-12V	A	10A0	213	45	Multiple Footprint			4	130	136	12	48	94	121	85
					62-74	106	9								
MVE 50/3N-DC-10A0-24V	A	10A0	213	45	33 83-102 7			4	130	136	12	48	94	121	85
MVE 120/3N-DC-23A0-12V	G	23A0	218	53	Multiple Footprint			4	164	140	25	82	116	159	110
					62-74	106	9								
MVE 120/3N-DC-23A0-24V	G	23A0	218	53	65 140 13			4	164	140	25	82	116	159	110
MVE 200/3N-DC-23A0-12V	G	23A0	218	53	115 135 11			4	164	140	25	82	116	159	110
MVE 200/3N-DC-23A0-24V	G	23A0	218	53	135 115 11			4	164	140	25	82	116	159	110
MVE 500/3N-DC-40A0-24V	D1	40A0	330	78	105	140	13	4	170	195	15	92	174	166	160
MVE 1500/3N-DC-50A0-24V	D1	50A0	324	63	120	170	18	4	208	210	18	96	185	192	165
MVE 1500/3N-BL-50A0-24V	D1	50A0	324	63	120	170	18	4	208	210	18	96	185	192	165

NOTE: Dimensions with coarse degree of accuracy related to UNI 22768/1

This information is provided without warranty, representation, inducement or licence of any kind. It is accurate to the best OLI knowledge or is obtained from sources believed to be accurate. OLI therefore assumes no legal responsibility. The latest and most updated information are available online.

# MVE - 2 poles electric vibrators - Three Phase

Electric vibrating motors for general applications in various industrial sectors on vibrating tables and silos and hoppers. Available in 2 poles 1ph and 3 ph, as well as in direct current with different voltages, they are suitable for use with inverters (variable frequency drive) and have a centrifugal force ranging from 20 to 800 kg, adjustable on each individual model.

Being the amplitude of the vibration inversely proportional to the speed on rigid structures like silos or hopper a 2 poles MVE is preferred to avoid damages to the welding points.



Class II Div.2: Temp. Class **T4**  
 ExII 2D Temp. Class: ● 100 °C ● 135 °C  
 \* Terminal Connections: **Y** High Voltage

Wm (kgcm)		Model		Centrifugal Force (kg)		Weight (kg)		ELECTRICAL SPECIFICATIONS								
50Hz	60Hz	50Hz	60Hz	50Hz	60Hz	50Hz	60Hz	Input Power (kW)		Standard Nominal Current		* Terminal Connection	Ia/In		Cable Gland	
50Hz	60Hz	50Hz	60Hz	50Hz	60Hz	50Hz	60Hz	50Hz	60Hz	50Hz (400V)	60Hz (460V)		50Hz	60Hz	Metric	
1.3	1.0	MVE 60/3E-10A0	MVE 60/36E-10A0	66	71	4		0.09	0.09	0.25	0.23	Y	3.2	3.2	M16	●
2.0	1.3	MVE 100/3E-10A0	MVE 100/36E-10A0	98	95	5		0.09	0.09	0.25	0.23	Y	3.2	3.2	M16	●
3.7	2.6	MVE 200/3E-20A0	MVE 200/36E-20A0	187	189	7		0.15	0.18	0.35	0.30	Y	3.5	3.5	M20	●
3.7	2.6	MVE 200/3E-23A0	MVE 200/36E-23A0	187	189	7		0.15	0.18	0.35	0.30	Y	3.5	3.5	M20	●
6.4	4.5	MVE 300/3E-30A0	MVE 300/36E-30A0	321	323	10		0.25	0.28	0.52	0.45	Y	3.8	3.7	M20	●
8.0	5.7	MVE 400/3E-30A0	MVE 400/36E-30A0	407	411	10		0.27	0.33	0.58	0.60	Y	3.7	3.7	M20	●
10.3	7.4	MVE 500/3E-40A0	MVE 500/36E-40A0	530	534	16		0.50	0.58	0.96	0.97	Y	4.2	4.4	M20	●
14.9	10.6	MVE 700/3E-40A0	MVE 700/36E-40A0	758	765	17		0.59	0.61	1.25	1.24	Y	4.5	5.2	M20	●
15.7	11.1	MVE 800/3E-50A0	MVE 800/36E-50A0	794	800	20		0.70	0.84	1.45	1.50	Y	4.0	4.0	M20	●

## MVE - 2 POLES ELECTRIC VIBRATORS - THREE PHASE

APPLICATION	Hopper and silo
POWDER	Fine - dry granular
PROBLEM SOLVING	Bridge and rat-holing

## FEATURES

DUTY CYCLE	Continuous - S1
FREQUENCY RANGE	From 20Hz to 60Hz [with inverter]
ENVIRONMENT TEMPERATURE	From -20 °C to 40 °C (from -4 °F to 104 °F)
MAX NOISE LEVEL	76 dB(a)
ATEX	II2D Ex tb IIIC Tx Db IP66
MATERIAL	Aluminium body; aluminium (powder painted) cover

## OPTIONS

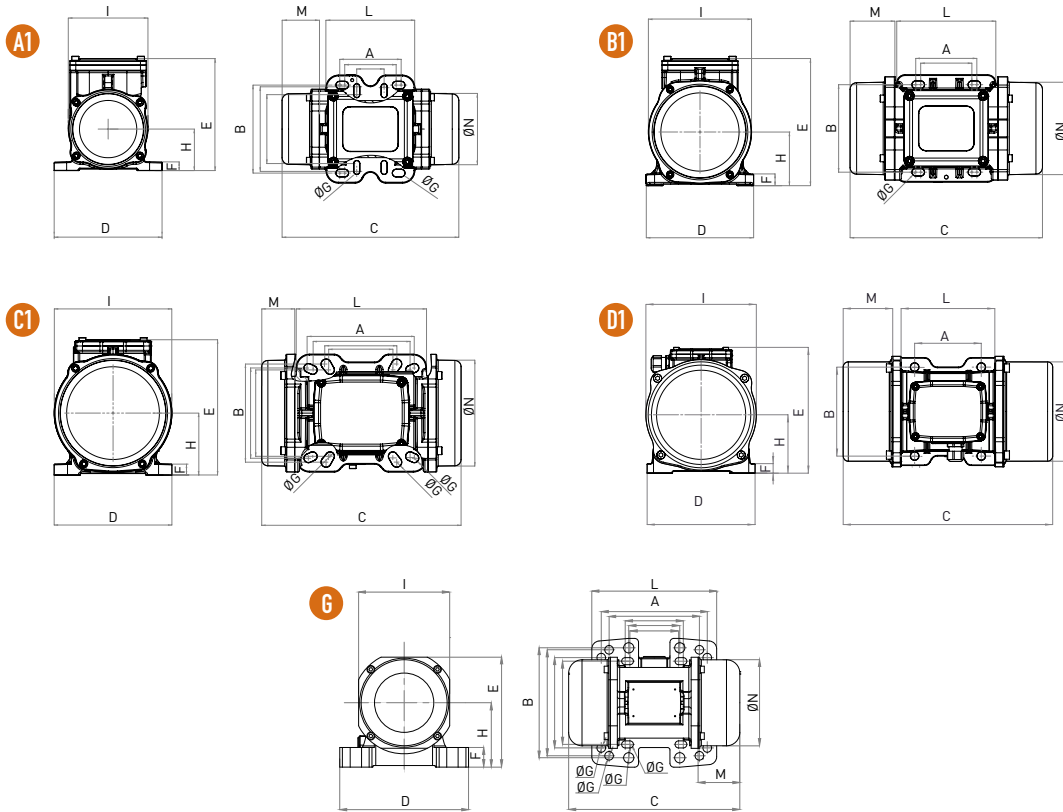
OTHER CERTIFICATIONS	Increase Safety certification from to size 20 to 50 Available version suitable to work up to +55 (+131 °F)
----------------------	---

NOTE: Dimensions with coarse degree of accuracy related to UNI 22768/1

This information is provided without warranty, representation, inducement or licence of any kind. It is accurate to the best OLI knowledge or is obtained from sources believed to be accurate. OLI therefore assumes no legal responsibility. The latest and most updated information are available online.



- » II2D Ex tb IIIC Tx Db IP66
- » Equipment and protective system intended for use in potentially explosive atmospheres (Zone 21) - Directive 2014/34/UE
- » Compliance with Essential Health and Safety Requirements
- » IEC 60034-1, IEC EN 60079-0, IEC EN 60079-31



Model		Drawing	Size	DIMENSIONAL SPECIFICATIONS (mm)														
				C		M		A	B	Ø G	Holes	D	E	F	H	I	L	N
				50Hz	60Hz	50Hz	60Hz											
MVE 60/3E-10A0	MVE 60/36E-10A0	A1	10A0	213		45		Multiple Footprint 62-74 106 9 33 83-102 7	4	130	135	11	50	96	107	85		
MVE 100/3E-10A0	MVE 100/36E-10A0	A1	10A0	213		45		Multiple Footprint 62-74 106 9 33 83-102 7	4	130	135	11	50	96	107	85		
MVE 200/3E-20A0	MVE 200/36E-20A0	B1	20A0	233		54		62-74 106 9	4	130	154	15	65	125	120	112		
MVE 200/3E-23A0	MVE 200/36E-23A0	G	23A0	222		55		Multiple Footprint 62-74 106 9 65 140 13 115 135 11 135 115 11	4	164	140	25	82	116	159	110		
MVE 300/3E-30A0	MVE 300/36E-30A0	C1	30A0	254		42		Multiple Footprint 80 110 11 90 125 13 124 110 11 135 115 11	4	150	173	15	79	150	166	134		
MVE 400/3E-30A0	MVE 400/36E-30A0	C1	30A0	274		52		Multiple Footprint 80 110 11 90 125 13 124 110 11 135 115 11	4	150	173	15	79	150	166	134		
MVE 500/3E-40A0	MVE 500/36E-40A0	D1	40A0	330		78		105 140 13	4	170	196	20	92	169	166	158		
MVE 700/3E-40A0	MVE 700/36E-40A0	D1	40A0	330		78		105 140 13	4	170	196	20	92	169	166	158		
MVE 800/3E-50A0	MVE 800/36E-50A0	D1	50A0	321		62		120 170 17	4	208	210	22	96	185	192	170		

NOTE: Dimensions with coarse degree of accuracy related to UNI 22768/1

This information is provided without warranty, representation, inducement or licence of any kind. It is accurate to the best OLI knowledge or is obtained from sources believed to be accurate. OLI therefore assumes no legal responsibility. The latest and most updated information are available online.



- » Class II Div.2 Group F, G T4
- » Conform to UL 1004-1, UL 1004-3, UL60079-31, UL60079-0, CSA 60079-0, CSA 60079- 31, CSA 22.2 N°100, CSA 22.2 N°77

# MVE - 2 poles electric vibrators - Single Phase

When three phase current is not available a particular type of electric vibrating motor single phase could be took into consideration.

They develop a centrifugal force up to 323 Kg.



Class II Div.2: Temp. Class **T4**  
ExII 2D Temp. Class: ● 100 °C

Wm (Kgcm)		Model		Centrifugal Force (kg)		Weight (kg)		ELECTRICAL SPECIFICATIONS							
50Hz	60Hz	50Hz	60Hz	50Hz	60Hz	50Hz	60Hz	Input Power (kW)		Nominal Current A max		Cable Gland	Capacitor *		
50Hz	60Hz	50Hz	60Hz	50Hz	60Hz	50Hz	60Hz	50Hz	60Hz	50Hz (230V)	60Hz (115V)	Metric	50Hz (230V)	60Hz (115V)	
1.3	1.0	MVE 60/3E-10A0-M	MVE 60/36E-10A0-M	66	71	4		0.08	0.09	0.43	1.03	M16	3.0	6.3	●
2.0	1.3	MVE 100/3E-10A0-M	MVE 100/36E-10A0-M	98	95	5		0.10	0.11	0.54	1.30	M16	4.0	8.0	●
3.7	2.6	MVE 200/3E-20A0-M	MVE 200/36E-20A0-M	187	189	7		0.18	0.21	1.14	2.62	M20	8.0	16.0	●
3.7	2.6	MVE 200/3E-23A0-M	MVE 200/36E-23A0-M	187	189	7		0.18	0.21	1.14	2.62	M20	8.0	16.0	●
6.4	4.5	MVE 300/3E-30A0-M	MVE 300/36E-30A0-M	321	323	10		0.27	0.28	1.58	3.43	M20	12.5	25.0	●

\* NOTE: Capacitor not supplied with vibrator (to be ordered separately)

## MVE - 2 POLES ELECTRIC VIBRATORS - SINGLE PHASE

APPLICATION	Hopper and silo - feeder - screen
POWDER	Fine - dry granular
PROBLEM SOLVING	Bridge and rat-holing

## FEATURES

DUTY CYCLE	Continuous - S1
FREQUENCY RANGE	From 20Hz to 60Hz [with inverter]
ENVIRONMENT TEMPERATURE	From -20 °C to 40 °C (from -4 °F to 104 °F)
MAX NOISE LEVEL	76 dB(a)
ATEX	II2D Ex tb IIIC Tx Db IP66
MATERIAL	Aluminium body; aluminium (powder painted) cover

## ACCESSORIES

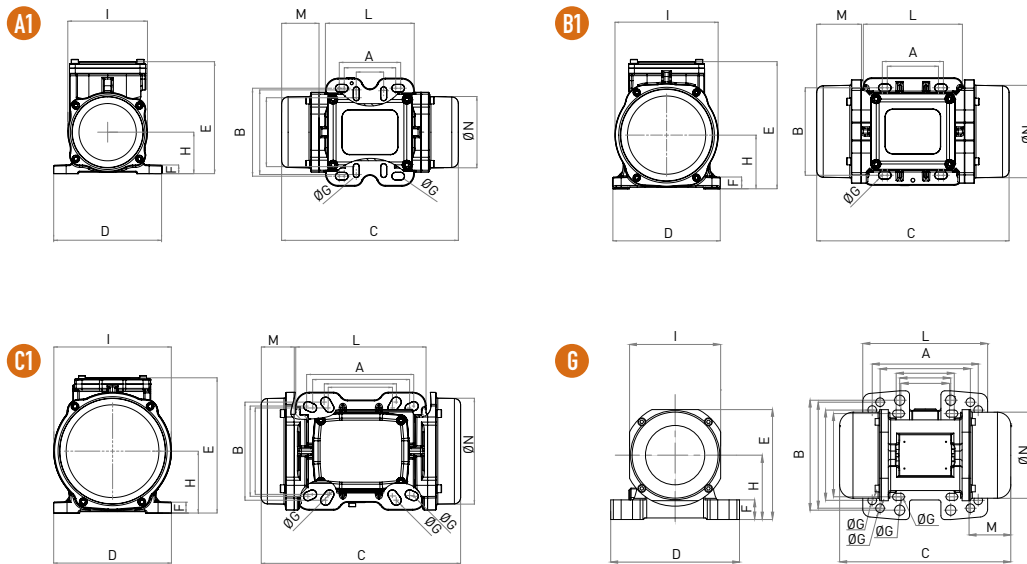
CAPACITOR	Available on request
-----------	----------------------

NOTE: Dimensions with coarse degree of accuracy related to UNI 22768/1

This information is provided without warranty, representation, inducement or licence of any kind. It is accurate to the best OLI knowledge or is obtained from sources believed to be accurate. OLI therefore assumes no legal responsibility. The latest and most updated information are available online.



- » II2D Ex tb IIIC Tx Db IP66
- » Equipment and protective system intended for use in potentially explosive atmospheres (Zone 21) - Directive 2014/34/UE
- » Compliance with Essential Health and Safety Requirements
- » IEC 60034-1, IEC EN 60079-0, IEC EN 60079-31



Model		Drawing	Size	DIMENSIONAL SPECIFICATIONS (mm)														
				C		M		A	B	ØG	Holes	D	E	F	H	I	L	N
				50Hz	60Hz	50Hz	60Hz											
MVE 60/3E-10A0-M	MVE 60/36E-10A0-M	A1	10A0	213	45	Multiple Footprint 62-74 106 9 33 83-102 7			4	130	135	11	50	96	107	85		
MVE 100/3E-10A0-M	MVE 100/36E-10A0-M	A1	10A0	213	45	Multiple Footprint 62-74 106 9 33 83-102 7			4	130	135	11	50	96	107	85		
MVE 200/3E-20A0-M	MVE 200/36E-20A0-M	B1	20A0	233	54	62-74	106	9	4	130	154	15	65	125	120	112		
MVE 200/3E-23A0-M	MVE 200/36E-23A0-M	G	23A0	222	55	Multiple Footprint 62-74 106 9 65 140 13 115 135 11 135 115 11			4	164	140	25	82	116	159	110		
MVE 300/3E-30A0-M	MVE 300/36E-30A0-M	C1	30A0	254	42	Multiple Footprint 80 110 11 90 125 13 124 110 11 135 115 11			4	154	173	15	79	150	166	134		

NOTE: Dimensions with coarse degree of accuracy related to UNI 22768/1

This information is provided without warranty, representation, inducement or licence of any kind. It is accurate to the best OLI knowledge or is obtained from sources believed to be accurate. OLI therefore assumes no legal responsibility. The latest and most updated information are available online.



» Class II Div.2 Group F, G T4  
 » Conform to UL 1004-1, UL 1004-3, UL60079-31, UL60079-0, CSA 60079-0, CSA 60079-31, CSA 22.2 N°100, CSA 22.2 N°77

# MVE-MICRO - 2 poles electric vibrators

The MVE-MICRO external electric vibrators are characterized by their small size and consist of an electric motor housed in a robust aluminium body, with eccentric weights mounted on both ends of the shaft.

They fit into small vibrating equipment or hopper though ensuring a significant centrifugal force.



Class II Div.2: Temp. Class **T4**  
II 3D Temp. Class: ● 100 °C

\* Terminal Connections: **Y** High Voltage

## THREE-PHASE

Wm (kgcm)		Model		Centrifugal Force (kg)		Weight (kg)		ELECTRICAL SPECIFICATIONS						
50Hz	60Hz	50Hz	60Hz	50Hz	60Hz	50Hz	60Hz	Input Power (kW)		Nominal Current A max			* Terminal Connection	Cable Gland
50Hz	60Hz	50Hz	60Hz	50Hz	60Hz	50Hz	60Hz	50Hz	60Hz	50Hz (230V)	50Hz (400V)	60Hz (460V)		Metric
0.4	0.4	MVE 21/3E-MICRO	MVE 21/36E-MICRO	20	29	2		0.04	0.04	0.21	0.12	0.12	Y	M16 ●
0.9	0.9	MVE 41/3E-MICRO	MVE41/36E-MICRO	45	65	2		0.06	0.06	0.30	0.18	0.18	Y	M16 ●

## SINGLE-PHASE

Wm (kgcm)		Model		Centrifugal Force (kg)		Weight (kg)		ELECTRICAL SPECIFICATIONS				
50Hz	60Hz	50Hz	60Hz	50Hz	60Hz	50Hz	60Hz	Input Power (kW)		Nominal Current A max		Cable Gland
50Hz	60Hz	50Hz	60Hz	50Hz	60Hz	50Hz	60Hz	50Hz	60Hz	50Hz (230V)	60Hz (115V)	Metric
0.1	0.1	MVE 3/3E-MICRO-M	MVE 3/36E-MICRO-M	4	6	1.6		0.03	0.04	0.30	0.80	M16 ●
0.1	0.1	MVE 6/3E-MICRO-M	MVE 6/36E-MICRO-M	6	9	1.6		0.03	0.04	0.30	0.80	M16 ●
0.4	0.4	MVE 21/3E-MICRO-M	MVE 21/36E-MICRO-M	20	29	2		0.04	0.07	0.20	0.80	M16 ●
0.9	0.9	MVE 41/3E-MICRO-M	MVE 41/36E-MICRO-M	45	65	2.4		0.05	0.07	0.25	0.80	M16 ●

### MVE-MICRO - 2 POLES ELECTRIC VIBRATORS - THREE PHASE / SINGLE PHASE

APPLICATION	Small hopper - micro screen - chute - vibrating feeder table and channels - compaction tables
POWDER	Fine - dry
PROBLEM SOLVING	Bridge and rat-holing

### FEATURES

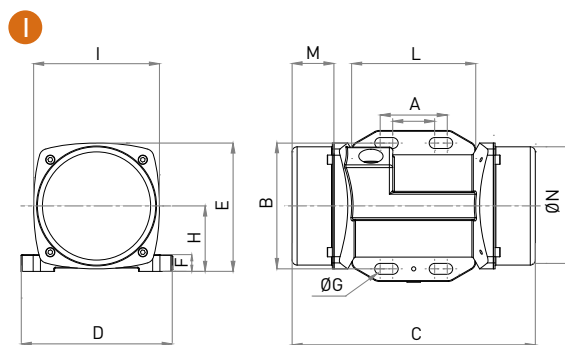
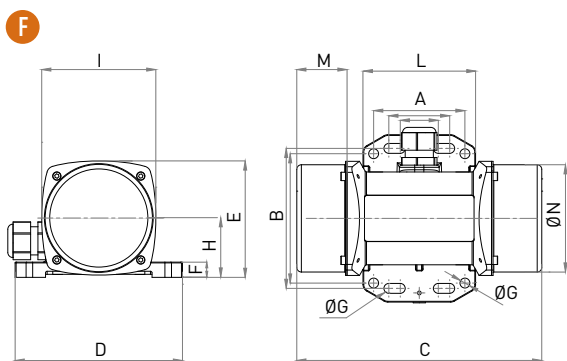
DUTY CYCLE	Continuous - S1
ENVIRONMENT TEMPERATURE	From -20 °C to 40 °C (from -4 °F to 104 °F) From -20 °C to 55 °C (from -4 °F to 131 °F)
MAX NOISE LEVEL	76 dB(A)
ATEX	II2D Ex tb IIIC Tx Db IP66
MATERIAL	Body aluminium - stainless steel cover
CAPACITOR	Included (on 1ph models)

NOTE: Dimensions with coarse degree of accuracy related to UNI 22768/1

This information is provided without warranty, representation, inducement or licence of any kind. It is accurate to the best OLI knowledge or is obtained from sources believed to be accurate. OLI therefore assumes no legal responsibility. The latest and most updated information are available online.



- » II2D Ex tb IIIC Tx Db IP66
- » Equipment and protective system intended for use in potentially explosive atmospheres (Zone 21) - Directive 2014/34/UE
- » Compliance with Essential Health and Safety Requirements
- » IEC 60034-1, IEC EN 60079-0, IEC EN 60079-31



## THREE-PHASE

Model			Drawing	DIMENSIONAL SPECIFICATIONS (mm)													
				C	M	A	B	ØG	Holes	D	E	F	H	I	L	N	
50Hz	60Hz		50Hz	50Hz													
MVE 21/3E-MICRO	MVE21/36E-MICRO	F	145	25	Multiple Footprint			4	110	76	10	39	75	74	70		
					25-40	92	6.5										
					60	85	6.5										
MVE 41/3E-MICRO	MVE 41/36E-MICRO	F	161	33	Multiple Footprint			4	110	76	10	39	75	74	70		
					25-40	92	6.5										
					60	85	6.5										

## SINGLE-PHASE

Model			Drawing	DIMENSIONAL SPECIFICATIONS (mm)													
				C	M	A	B	ØG	Holes	D	E	F	H	I	L	N	
50Hz	60Hz		50Hz	50Hz													
MVE 3/3E-MICRO-M	MVE 3/36E-MICRO-M	F	145	25	Multiple Footprint			4	110	76	10	39	75	74	70		
					25-40	92	6.5										
					60	85	6.5										
MVE 6/3E-MICRO-M	MVE 6/36E-MICRO-M	I	145	25	Multiple Footprint			4	90	76	10	39	75	74	70		
					25-40	75	6.5										
					-	-	-										
MVE 21/3E-MICRO-M	MVE 21/36E-MICRO-M	F	145	25	Multiple Footprint			4	110	76	10	39	75	74	70		
					25-40	92	6.5										
					60	85	6.5										
MVE 41/3E-MICRO-M	MVE 41/36E-MICRO-M	F	161	25	Multiple Footprint			4	110	76	10	39	75	74	70		
					25-40	92	6.5										
					60	85	6.5										

NOTE: Dimensions with coarse degree of accuracy related to UNI 22768/1

This information is provided without warranty, representation, inducement or licence of any kind. It is accurate to the best OLI knowledge or is obtained from sources believed to be accurate. OLI therefore assumes no legal responsibility. The latest and most updated information are available online.

# MVO - Hydraulic vibrators

The MVO vibrator generates a high frequency rotational vibration thanks to the hydraulic system that activates an eccentric mass.

They are very resistant and easy to install. They do not require any electrical or pneumatic connection but only the hydraulic one.



## MVO - HYDRAULIC VIBRATORS

APPLICATION	Dump trailer - agriculture machine - digging bucket
POWDER	Hygroscopic - wet sticky and granular
PROBLEM SOLVING	Detaching

## FEATURES

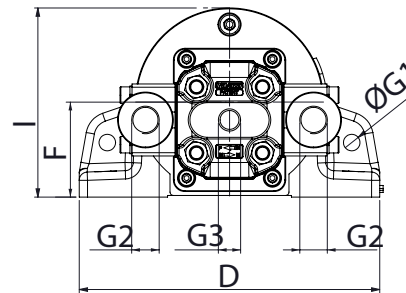
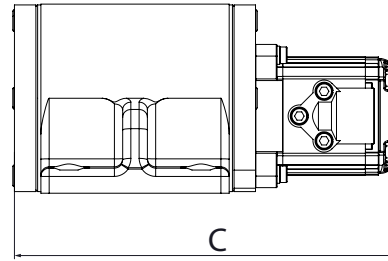
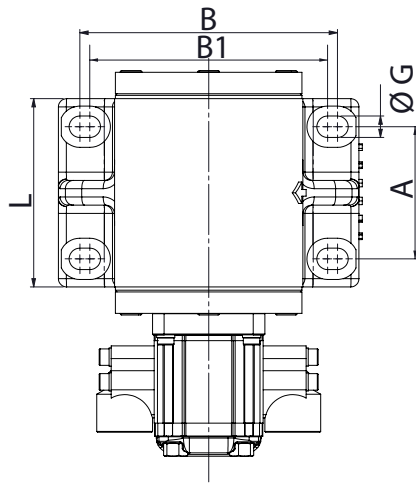
DUTY CYCLE	Continuous - S1
WORKING PRESSURE	From 70 bar to 120 bar (from 1,015 psi to 4.350 psi)
HYDRAULIC CIRCUIT	Flow control valve + filter (mesh 30-60 micron)
ENGINE SIZE	3.12 Cm <sup>3</sup> /round
WORKING TEMPERATURE	From -20 °C to 60 °C (from -4 °F to 140 °F)
OIL VISCOSITY	From 20 mm <sup>2</sup> /sec to 100 mm <sup>2</sup> /sec
OIL TYPE	HLP HV (D in 51524) hydraulic mineral oil
FLOW RATE	2,24 l/min (700 rpm) - 9,6 l/min (3.000 rpm) - 19,2 l/min (6.000 rpm)
MAX NOISE LEVEL	80 dB(a)
MOTOR TYPE	Xv-1m/3.2
TECHNOLOGY	Hydraulic rotary vibrator
MATERIAL	Grey cast iron body (ral 2004 powder painted)

NOTE: Dimensions with coarse degree of accuracy related to UNI 22768/1

This information is provided without warranty, representation, inducement or licence of any kind. It is accurate to the best OLI knowledge or is obtained from sources believed to be accurate. OLI therefore assumes no legal responsibility. The latest and most updated information are available online.



» Conformity with European Directive



DIMENSIONAL SPECIFICATIONS

A		B		B1		C		D		L		F		G		G1		G2		G3		I		Weight	
mm	in	mm	in	mm	in	mm	in	mm	in	mm	in	mm	in	mm	in	mm	in	BSPP	BSPP	mm	in	kg	lb		
80	3.2	156	6.1	144	5.7	233	9.2	182	7.2	115	4.5	58	2.3	13	0.5	10	0.4	3/8"	1/4"	114.5	4.50	11	24		

MECHANICAL FEATURES

Model	Centrifugal Force				Working Moment		Static Moment		Operating Press.		Max Pressure	
	3000 rpm		6000 rpm		kgcm	inlb	kgcm	inlb	bar		bar	
	kg	lb	kg	lb					3000 rpm		6000 rpm	
	MVO 850	208	459	830	1830	4.12	3.57	2.06	1.78	70		120

BEARING LIFE

RPM	Centrifugal Force		Bearing Life
	kg	lb	hrs
	3000	208	459
6000	830	1830	6,826

NOTE: Dimensions with coarse degree of accuracy related to UNI 22768/1

This information is provided without warranty, representation, inducement or licence of any kind. It is accurate to the best OLI knowledge or is obtained from sources believed to be accurate. OLI therefore assumes no legal responsibility. The latest and most updated information are available online.



» Conformity with European Directive

**Notes:**

A large rectangular area containing horizontal dashed lines for writing notes.

**Notes:**

A large rectangular box with a thin black border, containing 25 horizontal dotted lines for writing notes. The lines are evenly spaced and extend across the width of the box.

---

# WHEN YOU NEED IT, WHERE YOU NEED IT.

## THE WORLDWIDE LEADER IN VIBRATION TECHNOLOGY

[www.olivibra.com](http://www.olivibra.com)

---



### OLI Headquarters

Via Sparato, 14  
41036 Medolla (MO) - Italy

 +39 0535 41 06 11

 [info@olivibra.com](mailto:info@olivibra.com)

### OLI worldwide

OLI Australia	OLI Indonesia	OLI Middle East	OLI Turkey
OLI Brazil	OLI Italy	OLI Nordic	OLI UK
OLI China	OLI Korea	OLI Poland	OLI USA
OLI France	OLI Malaysia	OLI South Africa	OLI Vietnam
OLI Germany	OLI Malta	OLI Spain	
OLI India	OLI Mexico	OLI Thailand	

