



INDUSTRIAL VIBRATORS

ELECTRIC VIBRATORS FOR INDUSTRIAL APPLICATIONS



THE WORLDWIDE LEADER IN VIBRATION TECHNOLOGY





Intro

Worldwide leader in vibration technology	4
Technical features.....	6
Standard specifications	7
The OLI vibrator range.....	8
Certifications.....	9
How to choose a motovibrator.....	10
Standard rated voltages.....	11

Standard Range

MVE 2 Poles	12
MVE 4 Poles	14
MVE 6 Poles	16
MVE 8 Poles	18
MVE 2 Poles Single-Phase	20
MVE-Micro.....	22
MVE-DC Direct Current	24

Explosion-Proof

MVE-Exd 2 Poles.....	26
MVE-Exd 4 Poles.....	26
MVE-Exd 6 Poles.....	28
MVE-Exd 8 Poles.....	28

Grain Processing

MVE-Milling 6 Poles.....	30
MVE-Milling 10 Poles.....	30
MVE-Milling 12 Poles.....	30

Screen Vibrator

MVE-SV 4 Poles - Explosion Proof.....	32
MVE-SV 4 Poles - Standard Range	32

Stainless Steel

MVE-SS 2 Poles.....	34
MVE-SS 4 Poles.....	34
MVE-SS 6 Poles.....	34
MVE-SS 8 Poles.....	34

Flanged Drive

MVE-FD 6 Poles	36
MVE-FD 8 Poles	36

Extra

Installation	38
How to change the vibration intensity	40
Technical drawings	



Worldwide leader in vibration technology

OUR 3 DIVISIONS

PROVIDE CUSTOMERS WITH OPTIMAL SOLUTIONS FOR ALL REQUIREMENTS

INDUSTRIAL VIBRATORS



Electric motovibrators for vibrating equipment.

FLOW AIDS



Comprehensive range of electric and pneumatic vibrators to solve any problem of flowability.

CONCRETE CONSOLIDATION



Internal and external vibrators, converters and accessories for reliable and efficient concrete compaction.



Founded in 1960 in Milan, OLI has undergone remarkable evolution, solidifying its position as **the world's top-selling manufacturer of Industrial Vibrators**. The company has expanded its global presence with **23 Trading Subsidiaries**, over **70 local warehouses**, and **4 manufacturing plants**.

Initially focused on immersion vibrators for concrete consolidation, OLI has emerged as a global leader in vibration technology. Offering a diverse range of **electric** and **pneumatic internal** and **external vibrators**, OLI seamlessly integrates performance and reliability to adapt to dynamic market demands.

OLI has refined its business strategy to prioritize **rapid stock delivery** and unparalleled **technical assistance**,

ensuring customers worldwide have prompt access to **top-tier products and support**. Exceptional customer service is a cornerstone of OLI's operations, characterized by efficient order processing and universal access to high-quality products and services.

The company boasts a **team of specialized engineers** supported by globally certified management, ready to offer the expertise needed to address customer needs efficiently and safely.

OLI is not only committed to providing cutting-edge equipment but is also at the forefront of **developing innovative products**, aiming to maintain its leadership in the vibration technology industry and continuously set new standards



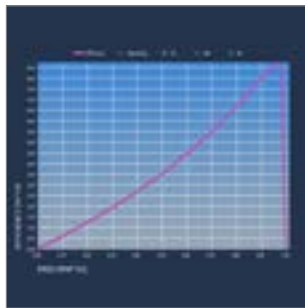
TECHNICAL FEATURES

QUALITY



- World class materials
- Class F insulation
- Durable sealing
- Premium bearings
- Strong body design - FEM designed
- Vacuum insulation
- FMEA analysis
- 3D quality check

EFFICIENCY



- Optimised power/weight ratio
- S1 continuous duty service
- Optimized electric design

RELIABILITY



- PTC thermistor 130 °C
- Specific grease retaining device
- Tropicalised standard
- IP66 protection
- Class F insulation

FLEXIBILITY



- Easy mass adjustment
- Various voltages and frequencies available
- Easy access to the terminal box
- Multiple eye-bolts



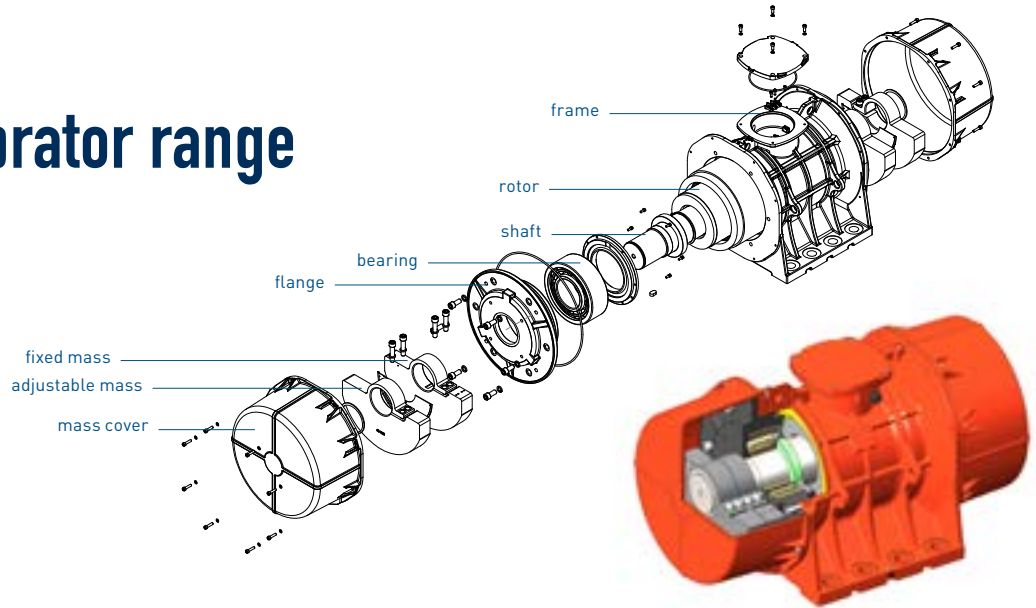
Standard specifications

Specification	PRODUCT RANGE				
	Standard	Explosion-Proof	Milling Grain Processing	Screen Vibrator	Stainless Steel
Power supply	Three-phase from 24V to 690V. 50Hz or 60Hz. Single phase 110V 60Hz and 220V 50Hz. Three-phase motors are designed for inverter application.	Three-phase from 220V to 575V. 50Hz or 60Hz. All motors are designed for inverter application from 20Hz to rated frequency.		Three-phase from 220V to 575V. 50Hz or 60Hz. All motors are designed for inverter application from 20Hz to rated frequency.	
Time rating	Continuous duty (S1).				
Protection structure	Mechanical protection IP66 according to IEC 60529.				
Bearings	Ball bearings from size MICRO to 50. Roller bearings from size 60 to 110.	Roller bearings.			Ball bearings from size 10 to 50* Roller bearing for size 60.
Coating colour	Polyester powder coating. Standard colour RAL 2009. Special corrosion resistant painting available on request on Standard range only.				AISI 316 frame not painted.
Footprint	Compatibility with the main competitor's footprint on request.				/
Installation and operating environment	For indoor and outdoor use.				
	Ambient temperature: from -20 °C to +40 °C. Up to +55 °C available on request.	Ambient temperature: from -20 °C to +60 °C.	Ambient temperature: from -20 °C to +40 °C.	Ambient temperature: from -20 °C to +40 °C.	Ambient temperature: from -20 °C to +40 °C.
Standards supported	Conformity with European Directive. Low voltage 2014/35/UE. Machine directive 2023/1230 EC. ATEX 2014/34/UE.				
Mass covers	Aluminium, for vibrators from size 10 to size 50 and size 100, 105, 110. Mild steel, for size 60 to size 91. Stainless steel AISI 304, for direct current motovibrators.	AISI 304 Stainless Steel.	Mild Steel.	Aluminium.	AISI 304 Stainless Steel.
Windings	2, 4, 6 and 8 poles three-phase asynchronous motor from size 10 to 110. 2 poles single phase from size 10 to 30.		6, 8, 10 and 12 poles three-phase asynchronous motor.	4 poles.	2, 4, 6 and 8 poles three-phase asynchronous motor.
	Class F insulating materials (155 °C). Vacuum impregnated windings. PTC thermistor 130 °C standard from size 60.	Thermal switch 130 °C standard from size 60.	Class F insulating materials (155 °C). Vacuum impregnated windings. PTC thermistor 130 °C standard from size 60.	Thermal switch 130 °C.	Class F insulating materials (155 °C). Vacuum impregnated windings.
Flanges	Grey cast iron up to size 80. Ductile cast iron from size 100.			Ductile cast iron.	Grey cast iron.
Frame	Aluminium up to size 50. Ductile cast iron from size 60.			Aluminium.	AISI 316.
Shaft	Steel alloy highly resistant.				
Eccentric masses	Completely adjustable.				

* Except for MVE 710/15N-50A0 and MVE 510/1N-50A0



The OLI vibrator range



Providing centrifugal force up to 26,000 kgs and with multiple voltage options OLI's range of electric motovibrators covers several fields of application in every country as well as many different industrial sectors: from food to mining, from foundry to recycling and more.

OLI's electric motovibrators are designed and manufactured using the latest technologies and premium quality materials and components.

Vibrator bodies, bearing flanges and shafts are FMEA designed and manufactured using first grade Aluminium alloy, cast iron and steel alloy to withstand heavy duty

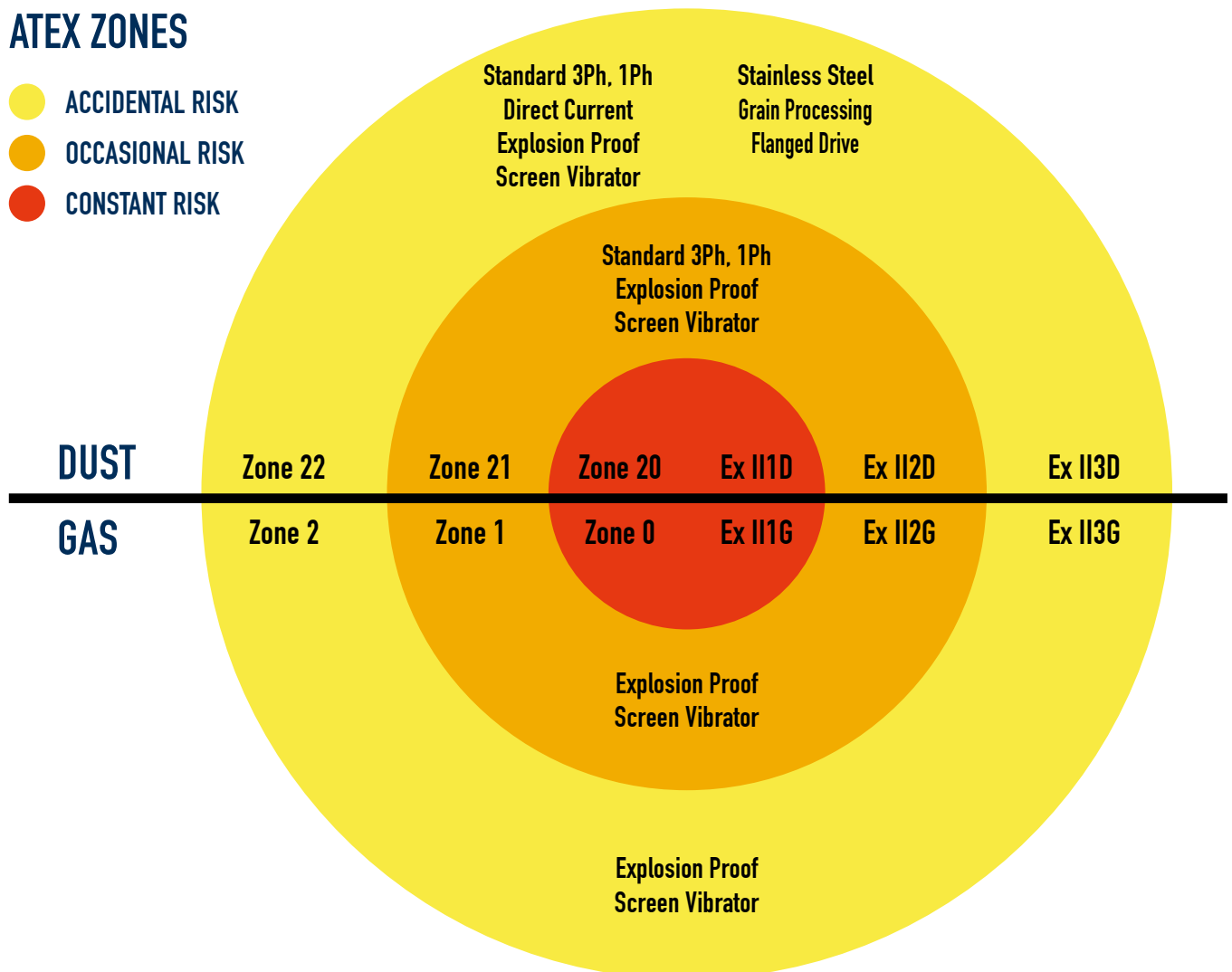
applications and guarantee safe operation in any condition. Vacuum impregnated windings and class F insulating materials enhance reliability and durability.

Top quality bearings and an efficient grease retaining system assure long lasting performance and low noise generation. Adjustable eccentric masses allow easy fine tuning of the Max centrifugal force provided by the vibrator.

Several certifications for use in hazardous environments are available in the OLI range to match the most demanding specification worldwide.

ATEX ZONES

- ACCIDENTAL RISK
- OCCASIONAL RISK
- CONSTANT RISK





Certifications

Standard



Conformity with European Directive - Low voltage 2014/35/UE; Machine Directive 2023/1230 EC; ATEX 2014/34/UE - UL 1836. UL 1004-1 - SAC22.2 NO 25. 100. 145

CATEGORY	CERTIFICATIONS	INTERNATIONAL STANDARD	GAS	DUST
ATEX zone 21 Class II Div.2 Temperature range -20/+40 °C *		EN 60079-0, EN 60079-31	n/a	II2D Ex tb IIIC Tx Db IP66
		IEC 60079-0, IEC 60079-31	n/a	Ex tb IIIC Tx Db IP66
		UL 1004-1, UL 60079-0, UL 60079-31 CSA 22.2 100, CSA 22.2 60079-0, CSA 22.2 60079-31	n/a	Class II Div.2 Groups F, G T4

* Extended temperature range up to 55 °C available on request.

Tx = T100 °C up to size 30 included;
T135 °C from size 40 up.

Direct Current, Grain Processing, Stainless Steel, Screen Vibrator and Flanged Drive



Conformity with European Directive - Low voltage 2014/35/UE; Machine Directive 2023/1230 EC; ATEX 2014/34/UE

CATEGORY	CERTIFICATIONS	INTERNATIONAL STANDARD	GAS	DUST
ATEX zone 22 Temperature range -20/+40 °C		EN 60079-0, EN 60079-31	n/a	II3D Ex tc IIIC T100 IP66
		UL 1446, CSA C22.2 NO 0-10	n/a	n/a

Explosion Proof and Screen Vibrator



Conformity with European Directive - Low voltage 2014/35/UE; Machine Directive 2023/1230 EC - ATEX 2014/34/UE - UL 1836. UL 1004-1. UL 674 - CSAC22.2 NO 25. 100. 145

CATEGORY	CERTIFICATIONS	INTERNATIONAL STANDARD	GAS	DUST
ATEX zone 1-21 Class I Div.1 Class II Div.1 ** Temperature range -20/+60 °C		EN 60079-0, EN 60079-31, EN 60079-1	ATEX II 2G Ex db IIB T4 Gb	ATEX II 2D Ex tb IIIC T135°C Db
		IEC 60079-0, IEC 60079-31, IEC 60079-1	IECEX Ex db IIB T4 Gb	IECEX Ex tb IIIC T135°C Db
		UL 1004-1, UL 1004-3, UL1203; UL674, CSA C22.2 No.145, CSA C22.2 No.30-M1986.	CLASS I Div.1 Group C, D T4 IP66	CLASS II Div.1 GROUP E,F,G**

* Screen vibrator is also available with the same certifications as the standard, not explosion proof range, mentioned in the first chart of this page.

** Soon available.

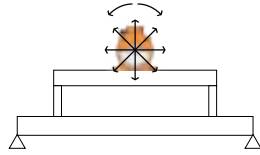


How to choose a motovibrator

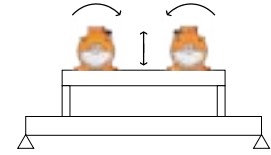
1.

Choose rpm and the amplitude "e" (0 - peak) suitable for your application:

Circular vibration



Linear vibration



Application processes	Vibration		Revolutions Per Minute					
			50Hz	750	1000	1500	3000	6000
	Circular	Linear	60Hz	900	1200	1800	3600	-
Conveying		✓			✓	✓		
Separation / Screening / Sizing		✓		✓	✓	✓		
Positioning / Feeding		✓		✓	✓	✓		
Filter cleaning	✓						✓	
Silo/hopper emptying	✓						✓	
Fluid beds		✓		✓	✓			
Bin activators	✓					✓	✓	
Compacting		✓					✓	✓
Concrete consolidation	✓						✓	✓

rpm	e (mm)	
	Min.	Max.
3,600	0.3	0.6
3,000	0.3	0.8
1,800	1.2	2.2
1,500	1.4	2.6
1,200	2.5	4.0
1,000	3.0	5.2
900	3.5	5.5
750	3.5	6.0

2.

Choose an MVE from the tables of the following pages and use its Wm into this formula:

$$e = \frac{n \times UW}{n \times M_{mot} + M_{vm}}$$

e = amplitude of vibration 0-peak (in)

n = number of vibrating motors

UW = Unbalanced (inlbs)

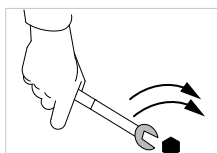
M_{mot} = motor weight (lbs)

M_{vm} = vibrating machine weight (without material and motors)

3.

Check the obtained value "e":

- If it is similar to the required one (step 1) → the MVE model is correct.
- If it is not similar to the required one (step 1) → repeat the process (step 2) with a different MVE model.



For tips on installation see section page 38










Standard rated voltages

Several voltages are available to match local electric specifications worldwide both at 50Hz and 60Hz.

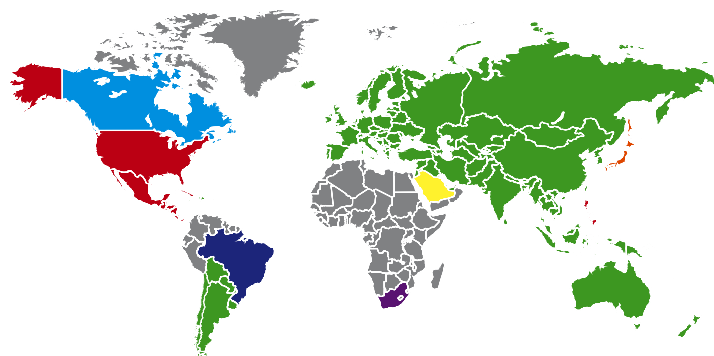
All OLI vibrators can be operated with double voltage by simply changing the connections inside the terminal box from **Star** to **Delta** or vice-versa.

As a general rule MVEs with rated power >4,3kW have standard Delta terminal box connection, with the only exception of MVE 5000/3E-75A1. Smaller MVEs have standard Star terminal box connection. Refer to the product specification charts to see the factory setting for each model.

For details about "Star" and "Delta" connections see page 49.

	200-230/345-400 V	50/60 Hz
	220-240/380-415 V 380-415 V (Delta) *	50 Hz
	230/460 V * 460 V (Delta) *	60 Hz
	330/575 V * 575 V (Delta) * 460 V (Delta) *	60 Hz
	290-300/500-525 V 500-525 V (Delta)	50 Hz
	207-253/414-480 V	60 Hz
	220-240/380-415 V 220-277/380-480 V 380/415 V (Delta) 460 V (Delta) *	50 Hz 60 Hz 50 Hz 60 Hz

* Voltage Tolerance: $\pm 10\%$



IMPORTANT:

Rated voltage might change according to the certification level permitted when some optionals are chosen.

Optionals



FULL STEEL-IT

Specifically developed for food applications featuring a special coating containing AiSi 316L stainless steel.



EXTENDED SHAFTS

Designed for multiple vibrator application. Available on request.



SPLIT COVERS

Developed for space saving applications. Available from size 60 and above.



HEATERS

To be used in severe cold environment.



FOOTPRINT

Competitor's footprint available on request.

Special Version



STEEL-IT COVER INOX

XXXXXXXX



BALL BURNISHING

XXXXXXXX



STANDARD RANGE



MVE 2 POLES 3000/3600 rpm

Class II Div.2: Temp. Class T4
II 2D Temp. Class: ● 100 °C ● 135 °C

* Terminal Connections: Y High Voltage ; ▲ Low Voltage

Unbalance (inlb)		Model	Centrifugal Force (lb)		Weight (lb)		ELECTRICAL SPECIFICATIONS								
50Hz	60Hz		60Hz	50Hz	60Hz	50Hz	60Hz	Input Power (Hp)		Standard Nominal Current		* Terminal Connections	Ia/In		Cable Gland
							50Hz	60Hz	50Hz (400V)	60Hz (460V)			50Hz	60Hz	Metric
0.57	0.43	MVE 160/2E-10A0	146	157	9		0.12	0.12	0.25	0.23	Y	3.2	3.2	M16	●
0.85	0.57	MVE 220/2E-10A0	216	209	11		0.12	0.12	0.25	0.23	Y	3.2	3.2	M16	●
1.61	1.13	MVE 440/2E-20A0	412	417	15		0.20	0.24	0.35	0.30	Y	3.5	3.5	M20	●
1.61	1.13	MVE 440/2E-23A0	412	417	16		0.20	0.24	0.35	0.30	Y	3.5	3.5	M20	●
2.77	1.94	MVE 690/2E-30A0	708	712	22		0.34	0.38	0.52	0.45	Y	3.8	3.7	M20	●
3.45	2.47	MVE 890/2E-30A0	897	906	23		0.36	0.44	0.58	0.60	Y	3.7	3.7	M20	●
4.46	3.20	MVE 1200/2E-40A0	1,168	1,177	35		0.67	0.78	0.96	0.97	Y	4.2	4.4	M20	●
6.47	4.59	MVE 1700/2E-40A0	1,671	1,687	36		0.79	0.82	1.25	1.24	Y	4.5	5.2	M20	●
6.81	4.80	MVE 1800/2E-50A0	1,750	1,764	45		0.94	1.13	1.45	1.50	Y	4.0	4.0	M20	●
8.79	6.08	MVE 2300/2E-50A0	2,216	2,233	47		1.27	1.54	1.85	1.95	Y	4.6	4.7	M20	●
11.54	8.07	MVE 3100/2E-50A0	2,987	3,009	48		1.74	1.85	2.44	2.25	Y	5.4	5.2	M20	●
13.57	9.64	MVE 3500/2E-60A0	3,530	3,545	112	109	2.07	2.15	2.94	2.61	Y	6.1	6.4	M25	●
15.96	11.98	MVE 4100/2E-60A0	4,469	4,403	114	111	2.82	2.82	3.75	3.42	Y	6.7	6.6	M25	●
19.95	13.83	MVE 5100/2E-60A0	5,075	5,084	116	112	3.22	3.29	4.44	3.45	Y	6.2	6.5	M25	●
29.56	19.05	MVE 7600/2E-75A1	7,169	7,002	227	224	3.70	3.89	5.30	4.61	Y	8.5	8.4	M32	●
34.46	24.30	MVE 8800/2E-75A1	8,891	8,933	236	229	3.89	3.89	5.30	4.61	Y	8.7	9.9	M32	●
44.81	30.28	MVE 11500/2E-75A1	11,043	11,129	245	233	5.36	5.36	7.22	6.28	Y	8.7	10.0	M32	●
56.23	39.30	MVE 14400/2E-85A0	14,352	14,445	504	506	7.01	7.38	9.43	8.20	▲	8.7	9.0	M32	●
77.95	56.23	MVE 20100/2E-85A0	19,897	20,668	530	517	12.74	12.47	17.80	14.40	▲	8.6	8.8	M32	●
56.23	39.30	MVE 14400/2E-86A0	14,352	14,445	504	506	7.38	8.45	9.50	9.50	▲	8.2	7.7	M32	●
77.95	56.23	MVE 20100/2E-86A0	19,897	20,668	530	517	8.85	10.33	11.50	11.50	▲	8.2	8.2	M32	●



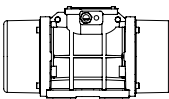
UP TO SIZE 60 (NOT INCLUDED)
60Hz masses = 50Hz masses adjusted at 70%



ABOVE SIZE 60 (INCLUDED)
Specific masses for 60Hz



- » II2D Ex tb IIIC Tx Db IP66
- » Equipment and protective system intended for use in potentially explosive atmospheres (Zone 21) - Directive 2014/34/UE
- » Compliance with Essential Health and Safety Requirements
- » IEC 60034-1, IEC EN 60079-0, IEC EN 60079-31



		DIMENSIONAL SPECIFICATIONS (inches)																
Model	Drawing	Size	C		M		A	B	Ø G	Holes	D	E	F	H	I	L	N	
			50Hz	60Hz	50Hz	60Hz				n°								
MVE 160/2E-10A0	A1	10A0	8.39	60Hz	1.77	Multiple Footprint			4	5.12	5.31	0.41	1.97	3.78	4.21	3.35		
						2.44-2.91	4.17	0.35										
			1.30	3.27-4.02	0.28													
MVE 220/2E-10A0	A1	10A0	8.39	60Hz	1.77	Multiple Footprint			4	5.12	5.31	0.41	1.97	3.78	4.21	3.35		
						2.44-2.91	4.17	0.35										
			1.30	3.27-4.02	0.28													
MVE 440/2E-20A0	B1	20A0	9.17	60Hz	2.13	2.44-2.91	4.17	0.35	4	5.12	6.06	0.59	2.56	4.92	4.72	4.41		
MVE 440/2E-23A0	G	23A0	8.74	60Hz	2.17	Multiple Footprint			4	6.46	5.51	0.98	3.23	4.57	6.26	4.33		
						2.44-2.91	4.17	0.35										
						2.56	5.51	0.51										
						4.53	5.31	0.43										
			5.31	4.53	0.43													
MVE 690/2E-30A0	C1	30A0	10.00	60Hz	1.65	Multiple Footprint			4	5.91	6.81	0.59	3.11	5.91	6.54	5.28		
						3.15	4.33	0.43										
						3.54	4.92	0.51										
						4.88	4.33	0.43										
			5.31	4.53	0.43													
MVE 890/2E-30A0	C1	30A0	10.79	60Hz	2.05	Multiple Footprint			4	5.91	6.81	0.59	3.11	5.91	6.54	5.28		
						3.15	4.33	0.43										
						3.54	4.92	0.51										
						4.88	4.33	0.43										
			5.31	4.53	0.43													
MVE 1200/2E-40A0	D1	40A0	12.99	60Hz	3.07	4.13	5.51	0.51	4	6.69	7.72	0.59	3.62	6.65	6.54	6.22		
MVE 1700/2E-40A0	D1	40A0	12.99	60Hz	3.07	4.13	5.51	0.51	4	6.69	7.72	0.59	3.62	6.65	6.54	6.22		
MVE 1800/2E-50A0	D1	50A0	12.64	60Hz	2.44	4.72	6.69	0.67	4	8.19	8.27	0.87	3.78	7.28	7.56	6.69		
MVE 2300/2E-50A0	D1	50A0	12.64	60Hz	2.44	4.72	6.69	0.67	4	8.19	8.27	0.87	3.78	7.28	7.56	6.69		
MVE 3100/2E-50A0	D1	50A0	12.64	60Hz	2.44	4.72	6.69	0.67	4	8.19	8.27	0.87	3.78	7.28	7.56	6.69		
MVE 3500/2E-60A0	D1	60A0	15.83	60Hz	3.54	5.51	7.48	0.67	4	9.06	10.24	1.02	4.88	9.45	8.58	8.74		
MVE 4100/2E-60A0	D1	60A0	15.83	60Hz	3.54	5.51	7.48	0.67	4	9.06	10.24	1.02	4.88	9.45	8.58	8.74		
MVE 5100/2E-60A0	D1	60A0	15.83	60Hz	3.54	5.51	7.48	0.67	4	9.06	10.24	1.02	4.88	9.45	8.58	8.74		
MVE 7600/2E-75A1	D1	75A1	20.31	60Hz	4.61	6.10	10.04	0.98	4	11.97	12.36	1.18	5.79	11.22	10.91	10.43		
MVE 8800/2E-75A1	D1	75A1	20.31	60Hz	4.61	6.10	10.04	0.98	4	11.97	12.36	1.18	5.79	11.22	10.91	10.43		
MVE 11500/2E-75A1	D1	75A1	22.20	60Hz	20.31	5.55	4.61	6.10	10.04	0.93	4	11.97	12.36	1.18	5.79	11.22	10.91	10.43
MVE 14400/2E-85A0	D1	85A0	24.57	60Hz	5.12	7.87	12.60	1.10	4	15.16	15.83	1.57	7.99	15.51	14.17	14.88		
MVE 20100/2E-85A0	D1	85A0	24.57	60Hz	5.12	7.87	12.60	1.10	4	15.16	15.83	1.57	7.99	15.51	14.17	14.88		
MVE 14400/2E-86A0	D1	86A0	24.57	60Hz	5.12	7.87	12.60	1.10	4	15.16	15.83	1.57	7.99	15.51	14.17	14.88		
MVE 20100/2E-86A0	D1	86A0	24.57	60Hz	5.12	7.87	12.60	1.10	4	15.16	15.83	1.57	7.99	15.51	14.17	14.88		

STANDARD

EXPLOSION-PROOF

GRAIN PROCESSING

SCREEN VIBRATOR

STAINLESS STEEL

FLANGED DRIVE

NOTE: Dimensions with coarse degree of accuracy related to UNI 22768/1

This information is provided without warranty, representation, inducement or licence of any kind. It is accurate to the best OLI knowledge or is obtained from sources believed to be accurate. OLI therefore assumes no legal responsibility. The latest and most updated information are available online.



» Class II Div.2 Group F, G T4
 » Conform to UL 1004-1, UL 1004-3, UL60079-31, UL60079-0, CSA 60079-0, CSA 60079-31, CSA 22.2 N°100, CSA 22.2 N°77



STANDARD RANGE



MVE 4 POLES 1500/1800 rpm

Class II Div.2: Temp. Class **T4**
II 2D Temp. Class: ● 100 °C ● 135 °C

* Terminal Connections: **Y** High Voltage ; **Δ** Low Voltage

Unbalance (inlb)		Model	Centrifugal Force (lb)		Weight (lb)		ELECTRICAL SPECIFICATIONS								
			50Hz	60Hz	50Hz	60Hz	Input Power (Hp)		Standard Nominal Current		* Terminal Connections	Ia/In		Cable Gland	
50Hz	60Hz	60 Hz					50Hz	60Hz	50Hz (400V)	60Hz (460V)			50Hz	60Hz	Metric
0.86	0.86	MVE 70/4E-10A0	55	79	10		0.07	0.05	0.31	0.31	Y	2.2	2.2	M16	●
2.59	1.82	MVE 200/4E-20A0	165	168	16		0.09	1.13	0.31	0.25	Y	2.2	2.2	M20	●
3.34	2.34	MVE 220/4E-20A0	214	216	16		0.09	1.13	0.31	0.25	Y	2.2	2.2	M20	●
6.70	4.70	MVE 400/4E-30A0	428	432	26		0.16	0.19	0.49	0.50	Y	2.2	2.2	M20	●
14.51	10.15	MVE 860/4E-40A0	926	933	43		0.36	0.43	0.84	0.86	Y	2.7	2.7	M20	●
17.41	12.19	MVE 1150/4E-40A0	1,111	1,120	46		0.47	0.54	1.06	1.09	Y	3.0	2.9	M20	●
11.54	8.07	MVE 750/4E-50A0	736	741	49		0.83	0.98	1.32	1.20	Y	3.2	3.4	M20	●
24.67	17.08	MVE 1530/4E-50A0	1,574	1,570	60		0.83	0.98	1.32	1.20	Y	3.2	3.4	M20	●
24.67	17.08	MVE 1540/4E-50A0	1,574	1,570	60		0.83	0.98	1.32	1.20	Y	3.2	3.4	M20	●
32.81	22.96	MVE 2100/4E-50A0	2,094	2,110	73		0.86	1.03	1.40	1.35	Y	4.2	4.2	M20	●
38.06	26.64	MVE 2300/4E-51A0	2,429	2,447	77	63	0.86	1.03	1.40	1.35	Y	4.0	4.0	M20	●
47.12	33.30	MVE 3100/4E-60A0	3,007	3,060	140	133	0.94	1.13	1.78	1.78	Y	4.2	4.2	M25	●
59.59	39.92	MVE 3880/4E-60A0	3,803	3,668	149	141	1.52	1.74	2.16	2.09	Y	4.9	4.7	M25	●
81.46	59.62	MVE 5340/4E-60A0	5,198	5,478	169.7	153.2	2.11	2.53	3.20	3.20	Y	5.1	5.1	M25	●
88.34	58.87	MVE 5700/4E-70A0	5,637	5,410	187.4	164	2.36	2.68	3.08	3.00	Y	6.2	6.3	M25	●
107.93	73.68	MVE 6840/4E-70A0	6,887	6,770	184.1	172	2.55	3.08	3.68	3.30	Y	6.7	6.8	M25	●
133.11	88.86	MVE 8400/4E-75A0	8,494	8,166	276	249	2.95	3.49	4.15	4.15	Y	7.0	7.0	M32	●
148.97	104.58	MVE 9480/4E-75A0	9,506	9,610	299	265	3.35	4.02	4.50	4.60	Y	7.2	7.4	M32	●
189.84	131.83	MVE 12260/4E-80A0	12,114	12,114	399	373	3.86	4.63	6.50	5.50	Y	7.3	7.2	M32	●
250.33	172.45	MVE 15850/4E-85A0	15,975	15,847	522	509	5.36	6.44	8.50	8.70	Δ	7.0	7.1	M32	●
311.62	216.47	MVE 19800/4E-85A0	19,885	19,892	556	531	9.86	11.40	13.40	12.00	Δ	7.2	7.2	M32	●
251.71	176.22	MVE 15850/4E-86A0	16,063	16,193	522	509	8.05	8.72	11.00	10.80	Δ	4.7	4.5	M32	●
314.59	220.05	MVE 19800/4E-86A0	20,075	20,221	556	531	8.05	8.72	11.00	10.80	Δ	4.7	4.5	M32	●
347.27	255.34	MVE 21000/4E-90A0	22,161	23,464	661	631	7.24	9.39	13.00	13.00	Δ	6.7	6.6	M32	●
362.71	252.32	MVE 21000/4E-91A0	23,146	23,186	661	631	9.39	11.00	13.10	13.10	Δ	7.2	7.7	M32	●
407.65	284.45	MVE 26100/4E-100A0	26,012	26,131	981	930	11.94	14.08	15.50	15.50	Δ	7.0	7.0	M32	●
495.85	363.55	MVE 33400/4E-100A0	31,640	33,406	1014	974	15.42	17.43	18.50	18.50	Δ	8.0	8.0	M32	●



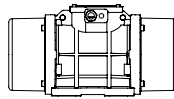
UP TO SIZE 60 (NOT INCLUDED)
60Hz masses = 50Hz masses adjusted at 70%
Except for model MVE 1100/15 - 1100/18



ABOVE SIZE 60 (INCLUDED)
Specific masses for 60Hz



- » II2D Ex tb IIIC Tx Db IP66
- » Equipment and protective system intended for use in potentially explosive atmospheres (Zone 21) - Directive 2014/34/UE
- » Compliance with Essential Health and Safety Requirements
- » IEC 60034-1, IEC EN 60079-0, IEC EN 60079-31



		DIMENSIONAL SPECIFICATIONS (inches)															
Model	Drawing	Size	C		M		A	B	Ø G	Holes	D	E	F	H	I	L	N
			50Hz	60Hz	50Hz	60Hz				n°							
MVE 70/4E-10A0	A	10A0	8.39		1.77		Multiple Footprint			4	5.12	5.31	0.41	1.97	3.78	4.21	3.35
							2.44-2.91	4.17	0.35								
							1.30	3.27-4.02	0.28								
MVE 200/4E-20A0	B	20A0	9.17		2.13		2.44-2.91	4.17	0.35	4	5.12	6.06	0.59	2.56	4.92	4.72	4.41
MVE 220/4E-20A0	B	20A0	9.17		2.13		2.44-2.91	4.17	0.35	4	5.12	6.06	0.59	2.56	4.92	4.72	4.41
MVE 400/4E-30A0	C	30A0	10.79		2.05		Multiple Footprint			4	5.91	6.81	0.59	3.11	5.91	6.54	5.28
							3.15	4.33	0.43								
							3.54	4.92	0.51								
							4.88	4.33	0.43								
MVE 860/4E-40A0	D1	40A0	12.99		3.07		4.13	5.51	0.51	4	6.69	7.72	0.79	3.62	6.85	6.54	6.30
MVE 1150/4E-40A0	D1	40A0	12.99		3.07		4.13	5.51	0.51	4	6.69	7.72	0.79	3.62	6.85	6.54	6.30
MVE 750/4E-50A0	D1	50A0	12.64		2.44		4.72	6.69	0.67	4	8.19	8.27	0.87	3.78	7.28	7.56	6.69
MVE 1530/4E-50A0	D1	50A0	15.39		3.82		4.72	6.69	0.67	4	8.19	8.27	0.87	3.78	7.28	7.56	6.69
MVE 1540/4E-50A0	D1	50A0	15.39		3.82		4.72	6.69	0.67	4	8.19	8.27	0.87	3.78	7.28	7.56	6.69
MVE 2100/4E-50A0	D1	50A0	17.91		5.08		4.72	6.69	0.67	4	8.19	8.27	0.87	3.78	7.28	7.56	6.69
MVE 2300/4E-51A0	D1	51A0	16.30		4.17		4.72	6.69	0.67	4	8.19	8.66	0.98	4.13	7.95	7.56	7.36
MVE 3100/4E-60A0	D1	60A0	17.56		4.41		5.51	7.48	0.67	4	9.06	10.24	1.02	4.88	9.45	8.58	8.74
MVE 3880/4E-60A0	D1	60A0	17.56		4.41		5.51	7.48	0.67	4	9.06	10.24	1.02	4.88	9.45	8.58	8.74
MVE 5340/4E-60A0	D1	60A0	19.29	17.56	5.28	4.41	5.51	7.48	0.67	4	9.06	10.24	1.02	4.88	9.45	8.58	8.74
MVE 5700/4E-70A0	D1	70A0	19.72		4.84		6.10	8.86	0.87	4	10.83	11.42	1.18	5.51	10.08	9.84	9.29
MVE 6840/4E-70A0	D1	70A0	21.06	19.72	5.51	4.84	6.10	8.86	0.87	4	10.83	11.42	1.18	5.51	10.08	9.84	9.29
MVE 8400/4E-75A0	D1	75A0	22.20	21.10	5.94	4.61	6.10	10.04	0.93	4	11.97	12.36	1.18	5.79	11.22	10.91	10.43
MVE 9480/4E-75A0	D1	75A0	22.99	22.20	5.94	5.55	6.10	10.04	0.93	4	11.97	12.36	1.18	5.79	11.22	10.91	10.43
MVE 12260/4E-80A0	D1	80A0	23.74		5.63		7.09	11.02	1.02	4	13.07	13.94	1.26	6.69	12.99	12.28	12.24
MVE 15850/4E-85A0	D1	85A0	24.57		5.12		7.87	12.60	1.10	4	15.16	15.83	1.57	7.99	15.51	14.17	14.88
MVE 19800/4E-85A0	D1	85A0	24.57		5.12		7.87	12.60	1.10	4	15.16	15.83	1.57	7.99	15.51	14.17	14.88
MVE 15850/4E-86A0	D1	86A0	24.57		5.12		7.87	12.60	1.10	4	15.16	15.83	1.57	7.99	15.51	14.17	14.88
MVE 19800/4E-86A0	D1	86A0	24.57		5.12		7.87	12.60	1.10	4	15.16	15.83	1.57	7.99	15.51	14.17	14.88
MVE 21000/4E-90A0	E1	90A0	28.66		6.69		4.92	14.96	1.54	6	17.80	16.34	1.57	8.07	15.51	14.96	14.88
MVE 21000/4E-91A0	E1	91A0	28.66		6.69		4.92	14.96	1.54	6	17.80	16.34	1.57	8.07	15.51	14.96	14.88
MVE 26100/4E-100A0	E	100	35.04		8.27		5.51	17.32	1.77	6	20.87	19.06	1.46	9.13	17.56	18.50	16.69
MVE 33400/4E-100A0	E	100	35.04		8.27		5.51	17.32	1.77	6	20.87	19.06	1.46	9.13	17.56	18.50	16.69

STANDARD

EXPLOSION-PROOF

GRAIN PROCESSING

SCREEN VIBRATOR

STAINLESS STEEL

FLANGED DRIVE

NOTE: Dimensions with coarse degree of accuracy related to UNI 22768/1

This information is provided without warranty, representation, inducement or licence of any kind. It is accurate to the best OLI knowledge or is obtained from sources believed to be accurate. OLI therefore assumes no legal responsibility. The latest and most updated information are available online.



» Class II Div.2 Group F, G T4
 » Conform to UL 1004-1, UL 1004-3, UL60079-31, UL60079-0, CSA 60079-0, CSA 60079- 31, CSA 22.2 N°100, CSA 22.2 N°77



STANDARD RANGE



MVE 6 POLES 1000/1200 rpm

Class II Div.2: Temp. Class T4
II 2D Temp. Class: ● 100 °C ● 135 °C

* Terminal Connections: Y High Voltage ; Δ Low Voltage

Unbalance (inlb)		Model	Centrifugal Force (lb)		Weight (lb)		ELECTRICAL SPECIFICATIONS								
50Hz	60Hz		60Hz	50Hz	60Hz	50Hz	60Hz	Input Power (Hp)		Standard Nominal Current		* Terminal Connections	Ia/In		Cable Gland
								50Hz	60Hz	50Hz (400V)	60Hz (460V)			50Hz	60Hz
4.12	2.86	MVE 90/6E-30A0	117	117	23		0.16	0.19	0.30	0.40	Y	2.2	2.2	M20	●
8.16	5.72	MVE 220/6E-30A0	231	234	24		0.16	0.19	0.30	0.40	Y	2.2	2.2	M20	●
14.54	10.15	MVE 410/6E-40A0	412	414	41		0.20	0.24	0.65	0.63	Y	2.2	2.2	M20	●
24.71	17.30	MVE 680/6E-50A0	701	705	58		0.34	0.40	0.67	0.64	Y	2.7	2.7	M20	●
39.88	27.92	MVE 1100/6E-50A0	1,131	1,140	74		0.74	0.54	1.22	1.15	Y	3.0	2.9	M20	●
39.88	39.88	MVE 1600/6E-51A0	1,131	1,629	77		0.74	0.54	1.22	1.15	Y	3.0	2.9	M20	●
59.62	47.13	MVE 1730/6E-60A0	1,691	1,925	143	137	1.01	1.07	1.42	1.32	Y	3.4	3.3	M25	●
81.46	59.59	MVE 2350/6E-60A0	2,310	2,434	154	143	1.01	1.07	1.42	1.32	Y	3.4	3.3	M25	●
123.59	85.29	MVE 3090/6E-60A0	3,505	3,483	185	161	1.21	1.45	1.80	2.00	Y	3.5	3.5	M25	●
130.05	88.31	MVE 3580/6E-70A0	3,688	3,607	199	175	1.21	1.45	2.40	2.30	Y	3.9	3.8	M25	●
161.92	107.96	MVE 4740/6E-70A0	4,592	4,409	231	200	2.01	2.41	3.00	3.20	Y	4.5	4.6	M25	●
202.88	133.12	MVE 5690/6E-75A0	5,754	5,437	328	290	2.63	2.82	4.10	4.00	Y	5.0	5.0	M32	●
234.52	164.80	MVE 6620/6E-75A0	6,651	6,731	343	304	2.95	3.22	4.50	4.30	Y	5.2	5.2	M32	●
295.14	202.10	MVE 8160/6E-75A0	8,371	8,254	342	313	2.95	3.22	4.50	4.30	Y	5.2	5.2	M32	●
295.30	189.85	MVE 8450/6E-80A0	8,375	7,754	475	429	3.35	4.02	5.50	5.30	Y	6.1	6.2	M32	●
363.86	253.55	MVE 10370/6E-80A0	10,320	10,355	485	444	4.29	5.23	6.50	6.95	Y	5.7	5.9	M32	●
403.58	284.10	MVE 11500/6E-85A0	11,446	11,603	582	547	5.10	5.36	6.92	6.36	Y	5.7	5.7	M32	●
505.72	357.62	MVE 14360/6E-85A0	14,343	14,605	636	584	5.77	6.71	7.76	7.81	Y	6.4	6.2	M32	●
623.26	403.56	MVE 17750/6E-85A0	17,676	16,482	682	604	7.38	8.85	12.60	11.60	Δ	6.2	6.4	M32	●
694.61	505.74	MVE 19120/6E-85A0	19,700	20,655	709	642	8.31	9.99	13.20	12.60	Δ	6.5	6.4	M32	●
622.40	403.56	MVE 17750/6E-86A0	17,652	16,482	682	604	6.17	7.38	9.00	10.00	Δ	6.0	6.2	M32	●
693.58	505.74	MVE 19120/6E-86A0	19,672	20,655	709	642	6.17	7.38	9.00	10.00	Δ	6.0	6.2	M32	●
776.23	538.19	MVE 21400/6E-90A0	22,015	21,980	825	766	8.18	8.58	14.00	12.70	Δ	6.6	6.6	M32	●
1,011.22	715.03	MVE 28660/6E-90A0	28,680	29,202	905	802	10.06	11.13	16.40	16.00	Δ	6.4	6.5	M32	●
782.53	538.19	MVE 21400/6E-91A0	22,194	21,980	823	766	8.58	10.33	13.00	14.50	Δ	6.0	6.0	M32	●
892.75	621.96	MVE 25100/6E-91A0	25,320	25,401	891	797	8.58	10.33	13.00	14.50	Δ	6.0	6.0	M32	●
1,003.04	715.03	MVE 28660/6E-91A0	28,448	29,202	970	866	10.73	11.94	17.20	18.10	Δ	5.6	6.3	M32	●
977.80	672.9	MVE 27400/6E-100A0	27,734	27,482	1,151	1,049	10.72	12.74	15.0	15.0	Δ	5.0	5.5	M32	●
1,143.05	805.55	MVE 32800/6E-105A0	32,421	32,899	1,482	1,389	13.53	16.09	18.0	18.0	Δ	5.8	5.8	M32	●
1,397.55	931.95	MVE 38000/6E-105A0	39,639	38,060	1,640	1,508	15.98	19.04	21.0	21.0	Δ	5.6	5.9	M32	●
1,576.40	1,095.90	MVE 44750/6E-105A0	44,720	44,751	1,693	1,605	16.04	19.44	24.0	24.0	Δ	5.4	5.6	M32	●
1,765.20	1,138	MVE 46400/6E-110A0	50,069	46,471	2,019	1,914	18.71	22.80	28.0	28.0	Δ	4.8	5.3	M32	●
1,984.40	1,372.85	MVE 56000/6E-110A0	56,288	56,067	2,191	2,066	18.71	22.80	28.0	28.0	Δ	4.8	5.3	M32	●



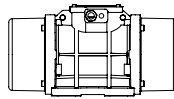
UP TO SIZE 60 (NOT INCLUDED)
60Hz masses = 50Hz masses adjusted at 70%



ABOVE SIZE 60 (INCLUDED)
Specific masses for 60Hz



- » II2D Ex tb IIIC Tx Db IP66
- » Equipment and protective system intended for use in potentially explosive atmospheres (Zone 21) - Directive 2014/34/UE
- » Compliance with Essential Health and Safety Requirements
- » IEC 60034-1, IEC EN 60079-0, IEC EN 60079-31



DIMENSIONAL SPECIFICATIONS (inches)																	
Model	Drawing	Size	C		M		A	B	Ø G	Holes	D	E	F	H	I	L	N
			50Hz	60Hz	50Hz	60Hz				n°							
MVE 90/6E-30A0	C	30A0	10.79		2.05		Multiple Footprint			4	5.91	6.81	0.59	3.11	5.91	6.54	5.28
							3.15	4.33	0.43								
							3.54	4.92	0.51								
							4.88	4.33	0.43								
MVE 220/6E-30A0	C	30A0	11.97		2.64		Multiple Footprint			4	5.91	6.81	0.59	3.11	5.91	6.54	5.28
							3.15	4.33	0.43								
							3.54	4.92	0.51								
							4.88	4.33	0.43								
MVE 410/6E-40A0	D1	40A0	12.99		3.07		4.13	5.51	0.51	4	6.69	7.72	0.79	3.62	6.85	6.54	6.30
MVE 680/6E-50A0	D1	50A0	15.39		3.82		4.72	6.69	0.67	4	8.19	8.27	0.87	3.78	7.28	7.56	6.69
MVE 1100/6E-50A0	D1	50A0	17.91		5.08		4.72	6.69	0.67	4	8.19	8.27	0.87	3.78	7.28	7.56	6.69
MVE 1600/6E-51A0	D1	51A0	17.91		5.08		4.72	6.69	0.67	4	8.19	8.27	0.87	3.78	7.28	7.56	6.69
MVE 1730/6E-60A0	D1	60A0	17.56		4.41		5.51	7.48	0.67	4	9.06	10.24	1.02	4.88	9.45	8.58	8.74
MVE 2350/6E-60A0	D1	60A0	19.29	17.56	5.28	4.41	5.51	7.48	0.67	4	9.06	10.24	1.02	4.88	9.45	8.58	8.74
MVE 3090/6E-60A0	D1	60A0	22.28	19.29	6.77	5.28	5.51	7.48	0.67	4	9.06	10.24	1.02	4.88	9.45	8.58	8.74
MVE 3580/6E-70A0	D1	70A0	22.17	19.72	6.06	4.84	6.10	8.86	0.87	4	10.83	11.42	1.18	5.51	10.08	9.84	9.29
MVE 4740/6E-70A0	D1	70A0	24.53	22.17	7.24	6.06	6.10	8.86	0.87	4	10.83	11.42	1.18	5.51	10.08	9.84	9.29
MVE 5690/6E-75A0	D1	75A0	27.24	22.99	8.07	5.94	6.10	10.04	0.93	4	11.97	12.36	1.18	5.79	11.22	10.91	10.43
MVE 6620/6E-75A0	D1	75A0	27.24		8.07		6.10	10.04	0.93	4	11.97	12.36	1.18	5.79	11.22	10.91	10.43
MVE 8160/6E-75A0	D1	75A0	28.90	27.24	8.90	8.07	6.10	10.04	0.93	4	11.97	12.36	1.18	5.79	11.22	10.91	10.43
MVE 8450/6E-80A0	D1	80A0	26.89	23.74	7.20	5.63	7.09	11.02	1.02	4	13.07	13.94	1.26	6.69	12.99	12.28	12.24
MVE 10370/6E-80A0	D1	80A0	28.86	26.89	8.19	7.20	7.09	11.02	1.02	4	13.07	13.94	1.26	6.69	12.99	12.28	12.24
MVE 11500/6E-85A0	D1	85A0	27.72	24.57	6.69	5.12	7.87	12.60	1.10	4	15.16	15.83	1.57	7.99	15.51	14.17	14.88
MVE 14360/6E-85A0	D1	85A0	27.72		6.69		7.87	12.60	1.10	4	15.16	15.83	1.57	7.99	15.51	14.17	14.88
MVE 17750/6E-85A0	D1	85A0	30.47	27.72	8.07	6.69	7.87	12.60	1.10	4	15.16	15.83	1.57	7.99	15.51	14.17	14.88
MVE 19120/6E-85A0	D1	85A0	30.47	27.72	8.07	6.69	7.87	12.60	1.10	4	15.16	15.83	1.57	7.99	15.51	14.17	14.88
MVE 17750/6E-86A0	D1	86A0	30.47		8.07		7.87	12.60	1.10	4	15.16	15.83	1.57	7.99	15.51	14.17	14.88
MVE 19120/6E-86A0	D1	86A0	30.47		8.07		7.87	12.60	1.10	4	15.16	15.83	1.57	7.99	15.51	14.17	14.88
MVE 21400/6E-90A0	E1	90A0	35.75	31.42	10.24	8.07	4.92	14.96	1.54	6	17.80	16.34	1.57	8.07	15.51	14.96	14.88
MVE 28660/6E-90A0	E1	90A0	37.32	31.42	11.02	8.07	4.92	14.96	1.54	6	17.80	16.34	1.57	8.07	15.51	14.96	14.88
MVE 21400/6E-91A0	E1	91A0	35.75		10.24		4.92	14.96	1.54	6	17.80	16.34	1.57	8.07	15.51	14.96	14.88
MVE 25100/6E-91A0	E1	91A0	35.75		10.24		4.92	14.96	1.54	6	17.80	16.34	1.57	8.07	15.51	14.96	14.88
MVE 28660/6E-91A0	E1	91A0	37.32		11.02		4.92	14.96	1.54	6	17.80	16.34	1.57	8.07	15.51	14.96	14.88
MVE 27400/6E-100A0	E	100	40.16		10.83		5.51	17.32	1.77	6	20.87	19.06	1.46	9.13	17.56	18.50	16.69
MVE 32800/6E-105A0	H	105	38.58		8.27		5.51	18.90	1.77	8	22.44	21.34	1.89	10.55	20.08	22.05	19.29
MVE 38000/6E-105A0	H	105	41.73		9.84		5.51	18.90	1.77	8	22.44	21.34	1.89	10.55	20.08	22.05	19.29
MVE 44750/6E-105A0	H	105	41.73		9.84		5.51	18.90	1.77	8	22.44	21.34	1.89	10.55	20.08	22.05	19.29
MVE 46400/6E-110A0	H	110	44.49		11.22		5.51	19.47	1.77	8	24.02	23.39	1.65	11.69	22.05	22.05	20.87
MVE 56000/6E-110A0	H	110	44.49		11.22		5.51	19.47	1.77	8	24.02	23.39	1.65	11.69	22.05	22.05	20.87

STANDARD

EXPLOSION-PROOF

GRAIN PROCESSING

SCREEN VIBRATOR

STAINLESS STEEL

FLANGED DRIVE

NOTE: Dimensions with coarse degree of accuracy related to UNI 22768/1

This information is provided without warranty, representation, inducement or licence of any kind. It is accurate to the best OLI knowledge or is obtained from sources believed to be accurate. OLI therefore assumes no legal responsibility. The latest and most updated information are available online.



» Class II Div.2 Group F, G T4
 » Conform to UL 1004-1, UL 1004-3, UL60079-31, UL60079-0, CSA 60079-0, CSA 60079- 31, CSA 22.2 N°100, CSA 22.2 N°77



STANDARD RANGE



MVE 8 POLES 750/900 rpm

Class II Div.2: Temp. Class **T4**
II 2D Temp. Class: ● 100 °C ● 135 °C

* Terminal Connections: **Y** High Voltage ; **Δ** Low Voltage

Unbalance (inlb)		Model	Centrifugal Force (lb)		Weight (lb)		ELECTRICAL SPECIFICATIONS							
			50Hz	60Hz	50Hz	60Hz	Input Power (Hp)		Standard Nominal Current		* Terminal Connections	Ia/In		Cable Gland
50Hz	60Hz	60Hz	50Hz	60Hz	50Hz	60Hz	50Hz	60Hz	50Hz (400V)	60Hz (460V)		50Hz	60Hz	
14.49		MVE 330/8E-40A	231	333	45		0.31	0.34	1.14	1.14	Y	1.7	1.7	M20 ●
24.71		MVE 550/8E-50A	395	567	63		0.34	0.40	0.90	0.89	Y	1.9	1.9	M20 ●
36.47		MVE 880/8E-50A0	582	838	75		0.34	0.40	0.90	0.89	Y	2.1	2.1	M20 ●
59.59		MVE 1430/8E-60A0	950	1,369	140		0.50	0.60	1.20	1.20	Y	2.4	2.4	M25 ●
81.47		MVE 2000/8E-60A0	1,299	1,872	153		0.74	0.72	1.23	1.29	Y	2.7	2.7	M25 ●
130.03		MVE 2900/8E-70A0	2,075	2,987	199		1.01	1.21	2.20	2.20	Y	3.2	3.2	M25 ●
202.87		MVE 4620/8E-75A0	3,236	4,661	332		1.34	1.61	2.81	2.89	Y	4.4	4.3	M32 ●
295.29		MVE 6820/8E-80A0	4,711	6,784	443		2.68	3.08	4.50	4.40	Y	4.2	4.2	M32 ●
363.90		MVE 8360/8E-80A0	5,805	8,360	483		3.35	4.02	6.00	6.00	Y	4.1	4.2	M32 ●
403.53		MVE 9240/8E-85A0	6,437	9,270	591		3.89	4.56	6.50	6.50	Y	4.0	3.9	M32 ●
505.74		MVE 11660/8E-85A0	8,069	11,618	637		4.96	5.77	8.00	8.20	Y	4.0	4.4	M32 ●
623.20		MVE 14300/8E-85A0	9,943	14,317	679		5.10	5.63	8.78	8.30	Y	3.8	4.2	M32 ●
955.05		MVE 22000/8E-90A0	15,236	21,940	931		9.12	10.06	13.50	12.50	Δ	3.7	4.4	M32 ●
1,003.04		MVE 22000/8E-91A0	16,001	23,042	931		8.05	9.39	14.40	14.00	Δ	4.7	4.7	M32 ●
1,230.05	1,107.98	MVE 25400/8E-100A0	19,630	25,454	1,259	1,219	10.06	10.73	13.5	13.5	Δ	3.8	4.0	M32 ●
1,611.50	1,397.55	MVE 32100/8E-105A0	25,708	32,106	1,656	1,598	12.07	14.21	19.0	19.0	Δ	4.5	5.0	M32 ●
1,910.07	1,701.55	MVE 39000/8E-105A0	30,472	39,085	1,790	1,746	12.20	14.75	20.0	20.0	Δ	5.3	5.8	M32 ●
2,542.10	2,169.55	MVE 49800/8E-110A0	40,554	49,846	2,165	2,066	18.51	22.13	28.0	28.0	Δ	5.6	5.2	M32 ●
-	2,542.10	MVE 58300/8E-110A0	-	58,398	-	2,165	-	22.13	-	28.0	Δ	-	5.2	M32 ●

SIZE 40A0



SIZE 50A0



SIZE 60A0



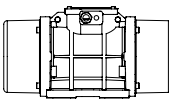
UP TO SIZE 90 (INCLUDED)
60Hz masses = 50Hz masses adjusted at 100%



ABOVE SIZE 90 (NOT INCLUDED)
Specific masses for 60Hz



- » II2D Ex tb IIIC Tx Db IP66
- » Equipment and protective system intended for use in potentially explosive atmospheres (Zone 21) - Directive 2014/34/UE
- » Compliance with Essential Health and Safety Requirements
- » IEC 60034-1, IEC EN 60079-0, IEC EN 60079-31



		DIMENSIONAL SPECIFICATIONS (inches)													
Model	Drawing	Size	C	M	A	B	Ø G	Holes	D	E	F	H	I	L	N
			50Hz-60Hz	50Hz-60Hz				n°							
MVE 330/8E-40A	D1	40A0	12.99	3.07	4.13	5.51	0.51	4	6.69	7.72	0.79	3.62	6.85	6.54	6.30
MVE 550/8E-50A	D1	50A0	15.39	3.82	4.72	6.69	0.67	4	8.19	8.27	0.87	3.78	7.28	7.56	6.69
MVE 880/8E-50A0	D1	50A0	17.91	5.08	4.72	6.69	0.67	4	8.19	8.27	0.87	3.78	7.28	7.56	6.69
MVE 1430/8E-60A0	D1	60A0	17.56	4.41	5.51	7.48	0.67	4	9.06	10.24	1.02	4.88	9.45	8.58	8.74
MVE 2000/8E-60A0	D1	60A0	19.29	5.28	5.51	7.48	0.67	4	9.06	10.24	1.02	4.88	9.45	8.58	8.74
MVE 2900/8E-70A0	D1	70A0	22.17	6.06	6.10	8.86	0.87	4	10.83	11.42	1.18	5.51	10.08	9.84	9.29
MVE 4620/8E-75A0	D1	75A0	27.24	8.07	6.10	10.04	0.93	4	11.97	12.36	1.18	5.79	11.22	10.91	10.43
MVE 6820/8E-80A0	D1	80A0	26.89	7.20	7.09	11.02	1.02	4	13.07	13.94	1.26	6.69	12.99	12.28	12.24
MVE 8360/8E-80A0	D1	80A0	28.86	8.19	7.09	11.02	1.02	4	13.07	13.94	1.26	6.69	12.99	12.28	12.24
MVE 9240/8E-85A0	D1	85A0	27.72	6.69	7.87	12.60	1.10	4	15.16	15.83	1.57	7.99	15.51	14.17	14.88
MVE 11660/8E-85A0	D1	85A0	27.72	6.69	7.87	12.60	1.10	4	15.16	15.83	1.57	7.99	15.51	14.17	14.88
MVE 14300/8E-85A0	D1	85A0	30.47	8.07	7.87	12.60	1.10	4	15.16	15.83	1.57	7.99	15.51	14.17	14.88
MVE 22000/8E-90A0	E1	90A0	37.32	11.02	4.92	14.96	1.54	6	17.80	16.34	1.57	8.07	15.51	14.96	14.88
MVE 22000/8E-91A0	E1	91A0	37.32	11.02	4.92	14.96	1.54	6	17.80	16.34	1.57	8.07	15.51	14.96	14.88
MVE 25400/8E-100A0	E	100	40.16	10.83	5.51	17.32	1.77	6	20.87	19.06	1.46	9.13	17.56	18.50	16.69
MVE 32100/8E-105A0	H	105	41.73	9.84	5.51	18.90	1.77	8	22.44	21.34	1.89	10.55	20.08	22.05	19.29
MVE 39000/8E-105A0	H	105	44.09	11.02	5.51	18.90	1.77	8	22.44	21.34	1.89	10.55	20.08	22.05	19.29
MVE 49800/8E-110A0	H	110	44.49	11.22	5.51	20.47	1.77	8	24.02	23.39	1.65	11.69	22.05	22.05	20.87
MVE 58300/8E-110A0	H	110	44.49	11.22	5.51	20.47	1.77	8	24.02	23.39	1.65	11.69	22.05	22.05	20.87

Notes:

NOTE: Dimensions with coarse degree of accuracy related to UNI 22768/1

This information is provided without warranty, representation, inducement or licence of any kind. It is accurate to the best OLI knowledge or is obtained from sources believed to be accurate. OLI therefore assumes no legal responsibility. The latest and most updated information are available online.



- » Class II Div.2 Group F, G T4
- » Conform to UL 1004-1, UL 1004-3, UL60079-31, UL60079-0, CSA 60079-0, CSA 60079-31, CSA 22.2 N°100, CSA 22.2 N°77

STANDARD

EXPLOSION-PROOF

GRAIN PROCESSING

SCREEN VIBRATOR

STAINLESS STEEL

FLANGED DRIVE



STANDARD RANGE



MVE 2 POLES Single-Phase 3000/3600 rpm

Class II Div.2: Temp. Class **T4**
II 2D Temp. Class: ● 100 °C ● 135 °C

Unbalance (inlb)		Model	Centrifugal Force (lb)		Weight (lb)		ELECTRICAL SPECIFICATIONS							
			50Hz	60Hz	50Hz	60Hz	Input Power (Hp)		Nominal Current A max		Cable Gland	Capacitor *		
50Hz	60Hz	60Hz	50Hz	60Hz	50Hz	60Hz	50Hz	60Hz	50Hz (230V)	60Hz (115V)	Metric	50Hz (230V)	60Hz (115V)	
0.57	0.43	MVE 160/2E-10A0-M	146	157	9		0.11	0.12	0.43	1.03	M16	3.0	6.3	●
0.85	0.57	MVE 220/2E-10A0-M	216	209	11		0.13	0.15	0.54	1.30	M16	4.0	8.0	●
1.61	1.13	MVE 440/2E-20A0-M	412	417	15		0.24	0.28	1.14	2.62	M20	8.0	16.0	●
1.61	1.13	MVE 440/2E-23A0-M	412	417	16		0.24	0.28	1.14	2.62	M20	8.0	16.0	●
2.77	1.94	MVE 690/2E-30A0-M	708	712	22		0.36	0.38	1.58	3.43	M20	12.5	25.0	●

* NOTE: Capacitor not supplied with vibrator (to be ordered separately)

SIZE 10A0

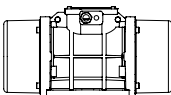


SIZE 20A0



SIZE 30A0





Model	Drawing	Size	DIMENSIONAL SPECIFICATIONS (inches)														
			C		M		A	B	Ø G	Holes	D	E	F	H	I	L	N
			50Hz	60Hz	50Hz	60Hz				n°							
MVE 160/2E-10A0-M	A1	10A0	8.39	1.77	Multiple Footprint			4	5.12	5.31	0.41	1.97	3.78	4.21	3.35		
		2.44-2.91			4.17	0.35											
		1.30			3.27-4.02	0.28											
MVE 220/2E-10A0-M	A1	10A0	8.39	1.77	Multiple Footprint			4	5.12	5.31	0.41	1.97	3.78	4.21	3.35		
		2.44-2.91			4.17	0.35											
		1.30			3.27-4.02	0.28											
MVE 440/2E-20A0-M	B1	20A0	9.17	2.13	2.44-2.91	4.17	0.35	4	5.12	6.06	0.59	2.56	4.92	4.72	4.41		
MVE 440/2E-23A0-M	G	23A0	8.74	2.17	Multiple Footprint			4	6.46	5.51	0.98	3.23	4.57	6.26	4.33		
							2.44-2.91									4.17	0.35
							2.56									5.51	0.51
							4.53									5.31	0.43
				5.31	4.53	0.43											
MVE 690/2E-30A0-M	C1	30A0	10.00	1.65	Multiple Footprint			4	6.06	6.81	0.59	3.11	5.91	6.54	5.28		
							3.15									4.33	0.43
							3.54									4.92	0.51
							4.88									4.33	0.43
				5.31	4.53	0.43											

Notes:

.....

.....

.....

.....

NOTE: Dimensions with coarse degree of accuracy related to UNI 22768/1

This information is provided without warranty, representation, inducement or licence of any kind. It is accurate to the best OLI knowledge or is obtained from sources believed to be accurate. OLI therefore assumes no legal responsibility. The latest and most updated information are available online.



» Class II Div.2 Group F, G T4
 » Conform to UL 1004-1, UL 1004-3, UL60079-31, UL60079-0, CSA 60079-0, CSA 60079- 31, CSA 22.2 N°100, CSA 22.2 N°77

STANDARD
EXPLOSION-PROOF
GRAIN PROCESSING
SCREEN VIBRATOR
STAINLESS STEEL
FLANGED DRIVE



STANDARD RANGE

MVE-MICRO 3000/3600 rpm



Class II Div.2: Temp. Class **T4**
II 3D Temp. Class: ● 100 °C ● 135 °C

* Terminal Connections: ▼ High Voltage ; ▲ Low Voltage

THREE-PHASE

Unbalance (inlb)		Model	Centrifugal Force (lb)		Weight (lb)		ELECTRICAL SPECIFICATIONS							
			50Hz	60Hz	50Hz	60Hz	Input Power (Hp)		Nominal Current A max			* Terminal Connections	Cable Gland	
50Hz	60Hz	60Hz	50Hz	60Hz	50Hz	60Hz	50Hz (230V)	50Hz (400V)	60Hz (460V)		Metric			
0.17		MVE 21/36E-MICRO	44	64	4		0.05	0.05	0.21	0.12	0.12	Y	M16	●
0.39		MVE41/36E-MICRO	99	143	5		0.08	0.08	0.30	0.18	0.18	Y	M16	●

SINGLE-PHASE

Unbalance (inlb)		Model	Centrifugal Force (lb)		Weight (lb)		ELECTRICAL SPECIFICATIONS					
			50Hz	60Hz	50Hz	60Hz	Input Power (Hp)		Nominal Current A max		Cable Gland *	
50Hz	60Hz	60Hz	50Hz	60Hz	50Hz	60Hz	50Hz (230V)	60Hz (115V)		Metric		
0.03		MVE 3/36E-MICRO-M	9	13	3		0.04	0.05	0.30	0.80	M16	●
0.05		MVE 6/36E-MICRO-M	13	20	3		0.04	0.05	0.30	0.80	M16	●
0.17		MVE 21/36E-MICRO-M	44	64	4		0.05	0.09	0.20	0.80	M16	●
0.39		MVE 41/36E-MICRO-M	99	143	5		0.07	0.09	0.25	0.80	M16	●

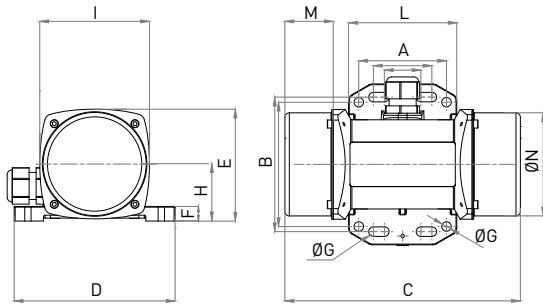
MICRO



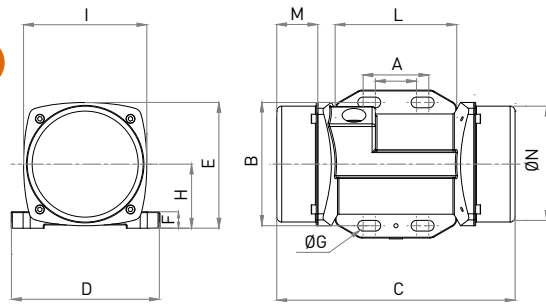
NOTE: Capacitor integrated in the cable



F



I



DIMENSIONAL SPECIFICATIONS (inches)

Model	Drawing	C	M	A	B	ØG	Holes	D	E	F	H	I	L	N
		60Hz	60Hz	Multiple Footprint			N°							
MVE 21/36E-MICRO	F	5.71	0.98	0.98-1.57	3.62	0.26	4	4.33	3.01	0.39	1.54	2.95	2.91	2.78
				2.36	3.35	0.26								
MVE41/36E-MICRO	F	6.34	1.30	0.98-1.60	3.62	0.26	4	4.33	3.01	0.39	1.54	2.95	2.91	2.78
				2.36	3.35	0.26								

DIMENSIONAL SPECIFICATIONS (inches)

Model	Drawing	C	M	A	B	ØG	Holes	D	E	F	H	I	L	N
		60Hz	60Hz	Multiple Footprint			N°							
MVE 3/36E-MICRO-M	F	5.71	0.98	0.98-1.57	3.62	0.26	4	4.33	3.01	0.39	1.54	2.95	2.91	2.78
				2.36	3.35	0.26								
MVE 6/36E-MICRO-M	F	5.71	0.98	0.98-1.57	2.95	0.26	4	3.54	3.01	0.39	1.54	2.95	2.91	2.78
				-	-	-								
MVE 21/36E-MICRO-M	F	5.71	0.98	0.98-1.57	3.62	0.26	4	4.33	3.01	0.39	1.54	2.95	2.91	2.78
				2.36	3.35	0.26								
MVE 41/36E-MICRO-M	F	6.34	1.30	0.98-1.57	3.62	0.26	4	4.33	3.01	0.39	1.54	2.95	2.91	2.78
				2.36	3.35	0.26								

Notes:

.....

.....

.....

.....

NOTE: Dimensions with coarse degree of accuracy related to UNI 22768/1

This information is provided without warranty, representation, inducement or licence of any kind. It is accurate to the best OLI knowledge or is obtained from sources believed to be accurate. OLI therefore assumes no legal responsibility. The latest and most updated information are available online.



» Class II Div.2 Group F, G T4
 » Conform to UL 1004-1, UL 1004-3, UL60079-31, UL60079-0, CSA 60079-0, CSA 60079- 31, CSA 22.2 N°100, CSA 22.2 N°77

STANDARD
 EXPLOSION-PROOF
 GRAIN PROCESSING
 SCREEN VIBRATOR
 STAINLESS STEEL
 FLANGED DRIVE



STANDARD RANGE



MVE-DC DIRECT CURRENT 3000 rpm

II 3D Temp. Class: ● 100 °C

Unbalance (inlb)	Model	rpm	Centrifugal Force (lb)	Weight (lb)	ELECTRICAL SPECIFICATIONS		
					Input Power (Hp)	Nominal Current A max	Cable Gland
0.44	MVE 50/3N-DC-10A0-12V	3,000	110	10	0.11	6.60	M16 ●
0.44	MVE 50/3N-DC-10A0-24V	3,000	110	10	0.11	3.30	M16 ●
0.93	MVE 120/3N-DC-23A0-12V	3,000	258	13	0.15	9.60	M20 ●
0.93	MVE 120/3N-DC-23A0-24V	3,000	258	13	0.15	4.80	M20 ●
1.81	MVE 200/3N-DC-23A0-12V	3,000	441	13.88	0.21	13.30	M20 ●
1.81	MVE 200/3N-DC-23A0-24V	3,000	441	13.88	0.21	6.70	M20 ●
4.51	MVE 500/3N-DC-40A0-24V	3,000	1,168	35	0.35	11.00	M20 ●
9.72	MVE 1500/3N-DC-50A0-24V	3,000	3,563	51	0.70	21.50	M20 ●
9.72	MVE 1500/3N-BL-50A0-24V	3,000	3,563	51	0.70	20	M20 ●

* Brushless

SIZE 23A0

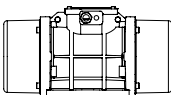


SIZE 40A0



SIZE 50A0





DIMENSIONAL SPECIFICATIONS (inches)																
Model	Drawing	Size	C	M	A	B	Ø G	Holes	D	E	F	H	I	L	N	
								N°								
MVE 50/3N-DC-10A0-12V	A	10A0	8.38	1.77	Multiple Footprint			4	5.12	5.35	0.47	1.89	3.70	4.76	3.35	
MVE 50/3N-DC-10A0-24V	A	10A0	8.38	1.77	2.44-2.91	4.17	0.35									4
MVE 120/3N-DC-23A0-12V	G	23A0	8.58	2.09	Multiple Footprint			4	6.46	5.51	0.98	3.23	4.57	6.26	4.33	
MVE 120/3N-DC-23A0-24V	G	23A0	8.58	2.09	2.44-2.91	4.17	0.35									4
MVE 200/3N-DC-23A0-12V	G	23A0	8.58	2.09	2.56	5.51	0.51	4	6.46	5.51	0.98	3.23	4.57	6.26	4.33	
MVE 200/3N-DC-23A0-24V	G	23A0	8.58	2.09	4.53	5.31	0.43									4
MVE 500/3N-DC-40A0-24V	D1	40A0	12.99	3.07	4.13	5.51	0.51	4	6.69	7.70	0.59	3.62	6.85	6.50	6.30	
MVE 1500/3N-DC-50A0-24V	D1	50A0	12.75	2.48	4.72	6.69	0.71	4	8.19	8.26	0.71	3.78	7.28	7.55	6.49	
MVE 1500/3N-DC-50A0-24V	D1	50A0	12.75	2.48	4.72	6.69	0.71	4	8.19	8.26	0.71	3.78	7.28	7.55	6.49	

Notes:

.....

.....

.....

.....

NOTE: Dimensions with coarse degree of accuracy related to UNI 22768/1

This information is provided without warranty, representation, inducement or licence of any kind. It is accurate to the best OLI knowledge or is obtained from sources believed to be accurate. OLI therefore assumes no legal responsibility. The latest and most updated information are available online.

STANDARD

EXPLOSION-PROOF

GRAIN PROCESSING

SCREEN VIBRATOR

STAINLESS STEEL

FLANGED DRIVE



EXPLOSION-PROOF



Ex II 2G: Temp. Class **T4**
 Class I Div.1: Temp. Class **T4**
 Ex II 2D Temp. Class: ● **135 °C**

* Terminal Connections: **Y** High Voltage; **▲** Low Voltage

MVE-Exd 2 POLES 3000/3600 rpm

Unbalance (inlb)		Model	Centrifugal Force (lb)		Weight (lb)		ELECTRICAL SPECIFICATIONS							
50Hz	60Hz		50Hz	60Hz	50Hz	60Hz	Input Power (Hp)		Standard Nominal Current		* Terminal Connections	Ia / In		Cable Gland
		60Hz	50Hz	60Hz	50Hz	60Hz	50Hz	60Hz	50Hz (400V)	60Hz (460V)			50Hz	60Hz
6.81	4.80	MVE 1800/2D-50A0	1,750	1,764	88		1.01	1.21	1.45	1.50	Y	3.8	3.8	3/4" NPT 110 °C
11.54	8.07	MVE 3100/2D-50A0	2,987	3,009	91		1.48	1.48	2.00	2.75	Y	5.2	5.0	3/4" NPT 110 °C
13.57	9.64	MVE 3500/2D-60A0	3,530	3,545	138	137	2.11	2.15	2.94	2.61	Y	5.9	6.2	3/4" NPT 110 °C
15.96	11.98	MVE 4100/2D-60A0	4,469	4,403	141	139	1.68	1.88	3.20	2.80	Y	6.5	6.4	3/4" NPT 110 °C
19.95	13.83	MVE 5100/2D-60A1	5,075	5,084	144	140	1.68	1.88	3.20	2.80	Y	6.0	6.3	3/4" NPT 110 °C
29.56	19.05	MVE 7600/2D-75A0	7,169	7,002	231	227	4.02	4.02	5.20	4.60	Y	8.3	8.2	3/4" NPT 110 °C
34.46	24.30	MVE 8800/2D-75A0	8,891	8,933	238	229	4.02	4.02	5.20	4.60	Y	8.5	9.7	3/4" NPT 110 °C

MVE-Exd 4 POLES 1500/1800 rpm

Unbalance (inlb)		Model	Centrifugal Force (lb)		Weight (lb)		ELECTRICAL SPECIFICATIONS							
50Hz	60Hz		50Hz	60Hz	50Hz	60Hz	Input Power (Hp)		Standard Nominal Current		* Terminal Connections	Ia / In		Cable Gland
		60Hz	50Hz	60Hz	50Hz	60Hz	50Hz	60Hz	50Hz (400V)	60Hz (460V)			50Hz	60Hz
24.67	17.08	MVE 1530/4D-50A0	1,574	1,570	99		0.74	0.89	1.00	1.00	Y	3.0	3.2	3/4" NPT 110 °C
38.49	24.67	MVE 2300/4D-50A0	2,456	2,266	115	99	0.80	0.91	1.27	1.50	Y	3.8	3.8	3/4" NPT 110 °C
47.12	33.30	MVE 3100/4D-60A0	3,007	3,060	161	155	1.01	1.34	1.67	1.80	Y	4.0	4.0	3/4" NPT 110 °C
59.59	39.92	MVE 3880/4D-60A1	3,803	3,668	168	134	1.34	1.61	1.95	2.00	Y	4.7	4.5	3/4" NPT 110 °C
81.46	59.62	MVE 5340/4D-60A1	5,198	5,478	172	159	1.68	1.88	2.80	2.70	Y	4.9	4.9	3/4" NPT 110 °C
88.34	58.87	MVE 5700/4D-70A0	5,637	5,410	218	204	2.01	2.15	2.70	2.60	Y	6.0	6.1	3/4" NPT 110 °C
107.93	73.68	MVE 6840/4D-70A0	6,887	6,770	231	214	2.21	2.55	2.80	2.70	Y	6.5	6.6	3/4" NPT 110 °C
133.11	88.86	MVE 8400/4D-75A0	8,494	8,166	300	276	3.08	3.02	4.10	3.96	Y	6.8	6.8	3/4" NPT 110 °C
148.97	104.58	MVE 9480/4D-75A0	9,506	9,610	310	286	3.22	3.49	4.30	4.10	Y	7.0	7.2	3/4" NPT 110 °C
189.84	131.83	MVE 12260/4D-80A0	12,114	12,114	427	403	4.16	4.16	5.70	5.30	Y	7.1	7.0	3/4" NPT 110 °C

SIZE 50A0



UP TO SIZE 50 (INCLUDED)
 60Hz masses = 50Hz masses adjusted at 70%
 Except for model MVE 1100/15D - 1100/18D



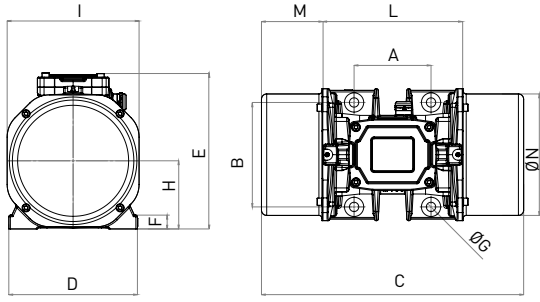
ABOVE SIZE 50 (NOT INCLUDED)
 Specific masses for 60Hz



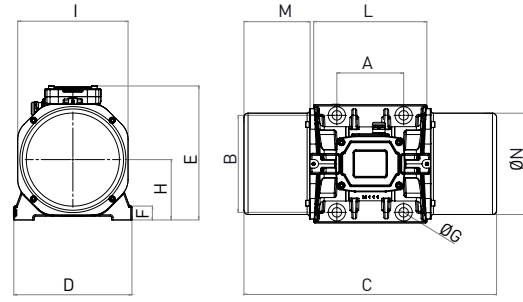
» II 2G Ex db IIB T4 Gb,
 » II 2D Ex tb IIIC T135°C Db
 » Ex db IIB T4 Gb
 » Ex tb IIIC T135°C Db

» Ambient temperature from -20°C to +60°C
 » Compliance with Essential Health and Safety Requirements
 » IEC EN 60079-0, IEC EN 60079-31, IEC EN 60079-1

X



Y



DIMENSIONAL SPECIFICATIONS (inches)

Model	Drawing	Size	C		M		A	B	Ø G	Holes	D	E	F	H	I	L	N
			50Hz	60Hz	50Hz	60Hz				n°							
MVE 1800/2D-50A0	X	50A0	13.07		2.50		4.72	6.69	0.67	4	8.23	9.88	1.06	4.06	7.28	8.07	6.52
MVE 3100/2D-50A0	X	50A0	13.07		2.50		4.72	6.69	0.67	4	8.23	9.88	1.06	4.06	7.28	8.07	6.52
MVE 3500/2D-60A0	X	60A0	18.78		4.39		5.51	7.48	0.67	4	9.21	11.14	0.98	4.88	9.45	10.00	8.70
MVE 4100/2D-60A0	X	60A0	18.78		4.39		5.51	7.48	0.67	4	9.21	11.14	0.98	4.88	9.45	10.00	8.70
MVE 5100/2D-60A1	X	60A1	18.78		4.39		5.51	7.48	0.87	4	9.21	11.14	0.98	4.88	9.45	10.00	8.70
MVE 7600/2D-75A0	Y	75A0	21.26		4.65		6.10	10.04	0.93	4	11.89	12.99	1.18	5.91	11.02	11.97	10.43
MVE 8800/2D-75A0	Y	75A0	21.81		4.92		6.10	10.04	0.93	4	11.89	12.99	1.18	5.91	11.02	11.97	10.43

DIMENSIONAL SPECIFICATIONS (inches)

Model	Drawing	Size	C		M		A	B	Ø G	Holes	D	E	F	H	I	L	N
			50Hz	60Hz	50Hz	60Hz				n°							
MVE 1530/4D-50A0	X	50A0	15.59		3.76		4.72	6.69	0.67	4	8.23	9.88	1.06	4.06	7.28	8.07	6.52
MVE 2300/4D-50A0	X	50A0	18.35	15.59	5.14	3.76	4.72	6.69	0.67	4	8.23	9.88	1.06	4.06	7.28	8.07	6.52
MVE 3100/4D-60A0	X	60A0	18.78		4.39		5.51	7.48	0.67	4	9.21	11.14	0.98	4.88	9.45	10.00	8.70
MVE 3880/4D-60A1	X	60A1	18.78		4.39		5.51	7.48	0.87	4	9.21	11.14	0.98	4.88	9.45	10.00	8.70
MVE 5340/4D-60A1	X	60A1	20.51		5.26		5.51	7.48	0.87	4	9.21	11.14	0.98	4.88	9.45	10.00	8.70
MVE 5700/4D-70A0	Y	70A0	20.67		4.84		6.10	8.86	0.87	4	10.79	12.24	1.26	5.51	10.08	10.98	9.25
MVE 6840/4D-70A0	Y	70A0	23.07		6.04		6.10	8.86	0.87	4	10.79	12.24	1.26	5.51	10.08	10.98	9.25
MVE 8400/4D-75A0	Y	75A0	23.46		5.75		6.10	10.04	0.93	4	11.89	12.99	1.18	5.91	11.02	11.97	10.43
MVE 9480/4D-75A0	Y	75A0	24.25		6.14		6.10	10.04	0.93	4	11.89	12.99	1.18	5.91	11.02	11.97	10.43
MVE 12260/4D-80A0	Y	80A0	24.09		5.00		7.09	11.02	1.02	4	12.99	14.92	1.30	6.93	12.99	14.09	12.20

Notes:

.....

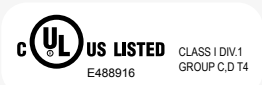
.....

.....

.....

NOTE: Dimensions with coarse degree of accuracy related to UNI 22768/1

This information is provided without warranty, representation, inducement or licence of any kind. It is accurate to the best OLI knowledge or is obtained from sources believed to be accurate. OLI therefore assumes no legal responsibility. The latest and most updated information are available online.



» Class I, Div.1 Group C, D T4 IP66
 » Conform to UL 1004-1, UL 1004-3, UL1203; UL674, CSA C22.2 No.145, CSA C22.2 No.30-M1986.

STANDARD
 EXPLOSION-PROOF
 GRAIN PROCESSING
 SCREEN VIBRATOR
 STAINLESS STEEL
 FLANGED DRIVE



EXPLOSION-PROOF



Ex II 2G: Temp. Class **T4**
 Class I Div.1: Temp. Class **T4**
 Ex II 2D Temp. Class: **135 °C**

* Terminal Connections: **Y** High Voltage; **Δ** Low Voltage

MVE-Exd 6 POLES 1000/1200 rpm

Unbalance (inlb)		Model	Centrifugal Force (lb)		Weight (lb)		ELECTRICAL SPECIFICATIONS							
50Hz	60Hz		50Hz	60Hz	50Hz	60Hz	Input Power (Hp)		Standard Nominal Current		* Terminal Connections	Ia/In		Cable Gland
50Hz	60Hz	60Hz	50Hz	60Hz	50Hz	60Hz	50Hz	60Hz	50Hz (400V)	60Hz (460V)			50Hz	60Hz
39.88		MVE 1100/6D-50A	1,131	1,629	119		0.40	0.43	1.10	1.05	Y	2.8	2.7	3/4" NPT 110 °C
59.62	47.13	MVE 1730/6D-60A0	1,691	1,925	161	156	0.76	0.91	1.14	1.21	Y	3.2	3.1	3/4" NPT 110 °C
81.46	59.59	MVE 2350/6D-60A1	2,310	2,434	176	162	0.75	0.78	1.40	1.30	Y	3.2	3.1	3/4" NPT 110 °C
123.59	85.29	MVE 3090/6D-60A0	3,505	3,483	207	184	1.07	1.21	1.60	1.70	Y	3.3	3.3	3/4" NPT 110 °C
130.05	88.31	MVE 3580/6D-70A0	3,688	3,607	240	218	1.34	1.52	2.50	2.72	Y	3.7	3.6	3/4" NPT 110 °C
161.92	107.96	MVE 4740/6D-70A0	4,592	4,409	266	237	1.61	1.81	2.80	3.00	Y	4.3	4.4	3/4" NPT 110 °C
202.88	133.12	MVE 5690/6D-75A0	5,754	5,437	336	299	2.01	2.15	3.50	3.30	Y	4.8	4.8	3/4" NPT 110 °C
234.52	164.80	MVE 6620/6D-75A0	6,651	6,731	355	297	2.35	2.55	4.30	4.00	Y	5.0	5.0	3/4" NPT 110 °C
295.30	189.85	MVE 8450/6D-80A0	8,375	7,754	475	432	2.82	3.08	5.00	4.80	Y	5.9	6.0	3/4" NPT 110 °C
363.86	253.55	MVE 10370/6D-80A0	10,320	10,355	509	467	3.35	3.75	6.20	6.00	Y	5.5	5.7	3/4" NPT 110 °C

MVE-Exd 8 POLES 750/900 rpm

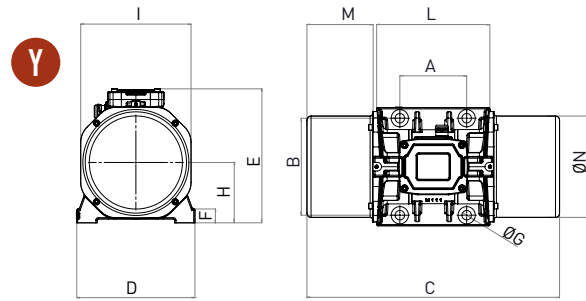
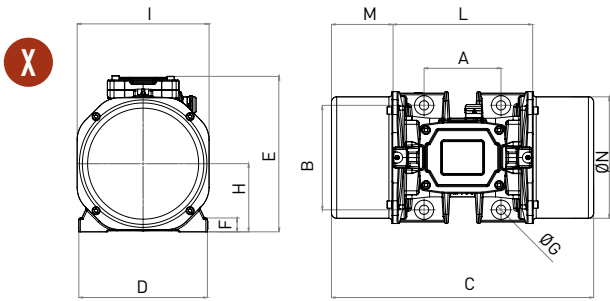
Unbalance (inlb)		Model	Centrifugal Force (lb)		Weight (lb)	ELECTRICAL SPECIFICATIONS							
50Hz	60Hz		50Hz	60Hz		50Hz-60Hz	Input Power (Hp)		Standard Nominal Current		* Terminal Connections	Ia/In	
50Hz	60Hz	60Hz	50Hz	60Hz	50Hz-60Hz	50Hz	60Hz	50Hz (400V)	60Hz (460V)			50Hz	60Hz
24.71		MVE 550/8D-50A0	395	567	103	0.47	0.51	1.15	1.15	Y	1.7	1.7	3/4" NPT 110 °C
36.47		MVE 880/8D-50A0	582	838	119	0.47	0.51	1.15	1.15	Y	1.9	1.9	3/4" NPT 110 °C
59.59		MVE 1430/8D-60A0	950	1,369	161	0.58	0.67	1.12	1.10	Y	2.2	2.2	3/4" NPT 110 °C
81.47		MVE 2000/8D-60A1	1,299	1,872	181	0.74	0.80	1.40	1.20	Y	2.5	2.5	3/4" NPT 110 °C
130.03		MVE 2900/8D-70A0	2,075	2,987	240	1.07	1.07	2.20	2.10	Y	3.0	3.0	3/4" NPT 110 °C
202.87		MVE 4620/8D-75A0	3,236	4,661	337	1.68	1.74	3.20	2.80	Y	4.2	4.1	3/4" NPT 110 °C
295.29		MVE 6820/8D-80A0	4,711	6,784	472	2.01	2.41	3.80	3.80	Y	4.0	4.0	3/4" NPT 110 °C
363.90		MVE 8360/8D-80A0	5,805	8,360	507	3.35	4.29	5.50	5.70	Y	3.9	4.0	3/4" NPT 110 °C

SIZE 60A0



» II 2G Ex db IIB T4 Gb,
 » II 2D Ex tb IIIC T135°C Db
 » Ex db IIB T4 Gb
 » Ex tb IIIC T135°C Db

» Ambient temperature from -20°C to +60°C
 » Compliance with Essential Health and Safety Requirements
 » IEC EN 60079-0, IEC EN 60079-31, IEC EN 60079-1



DIMENSIONAL SPECIFICATIONS (inches)

Model	Drawing	Size	C		M		A	B	Ø G	Holes	D	E	F	H	I	L	N
			50Hz	60Hz	50Hz	60Hz				n°							
MVE 1100/6D-50A	X	50A0	18.35	5.14	4.72	6.69	0.67	4	8.23	9.88	1.06	4.06	7.28	8.07	6.52		
MVE 1730/6D-60A0	X	60A0	18.78	4.39	5.51	7.48	0.67	4	9.21	11.14	0.98	4.88	9.45	10.00	8.70		
MVE 2350/6D-60A1	X	60A1	20.51	5.26	5.51	7.48	0.87	4	9.21	11.14	0.98	4.88	9.45	10.00	8.70		
MVE 3090/6D-60A0	X	60A0	23.50	6.75	5.51	7.48	0.67	4	9.21	11.14	0.98	4.88	9.45	10.00	8.70		
MVE 3580/6D-70A0	Y	70A0	23.07	6.04	6.10	8.86	0.87	4	10.79	12.24	1.26	5.51	10.08	10.98	9.25		
MVE 4740/6D-70A0	Y	70A0	25.43	7.22	6.10	8.86	0.87	4	10.79	12.24	1.26	5.51	10.08	10.98	9.25		
MVE 5690/6D-75A0	Y	75A0	28.50	8.27	6.10	10.04	0.93	4	11.89	12.99	1.18	5.91	11.02	11.97	10.39		
MVE 6620/6D-75A0	Y	75A0	28.50	8.27	6.10	10.04	0.93	4	11.89	12.99	1.18	5.91	11.02	11.97	10.39		
MVE 8450/6D-80A0	Y	80A0	27.24	6.57	7.09	11.02	1.02	4	12.99	14.92	1.30	6.93	12.99	14.09	12.20		
MVE 10370/6D-80A0	Y	80A0	29.29	7.60	7.09	11.02	1.02	4	12.99	14.92	1.30	6.93	12.99	14.09	12.20		

DIMENSIONAL SPECIFICATIONS (inches)

Model	Drawing	Size	C		A	B	Ø G	Holes	D	E	F	H	I	L	N
			50Hz-60Hz	50Hz-60Hz				n°							
MVE 550/8D-50A0	X	50A0	15.59	3.76	4.72	6.69	0.67	4	8.23	9.88	1.06	4.06	7.28	8.07	6.52
MVE 880/8D-50A0	X	50A0	18.35	5.14	4.72	6.69	0.67	4	8.23	9.88	1.06	4.06	7.28	8.07	6.52
MVE 1430/8D-60A0	X	60A0	18.78	4.39	5.51	7.48	0.67	4	9.21	11.14	0.98	4.88	9.45	10.00	8.70
MVE 2000/8D-60A1	X	60A1	20.51	5.26	5.51	7.48	0.87	4	9.21	11.14	0.98	4.88	9.45	10.00	8.70
MVE 2900/8D-70A0	Y	70A0	23.07	6.04	6.10	8.86	0.87	4	10.79	12.24	1.26	5.51	10.08	10.98	9.25
MVE 4620/8D-75A0	Y	75A0	28.50	8.27	6.10	10.04	0.93	4	11.89	12.99	1.18	5.91	11.02	11.97	10.39
MVE 6820/8D-80A0	Y	80A0	27.24	6.57	7.09	11.02	1.02	4	12.99	14.92	1.30	6.93	12.99	14.09	12.20
MVE 8360/8D-80A0	Y	80A0	29.29	7.60	7.09	11.02	1.02	4	12.99	14.92	1.30	6.93	12.99	14.09	12.20

Notes:

.....

.....

.....

.....

NOTE: Dimensions with coarse degree of accuracy related to UNI 22768/1

This information is provided without warranty, representation, inducement or licence of any kind. It is accurate to the best OLI knowledge or is obtained from sources believed to be accurate. OLI therefore assumes no legal responsibility. The latest and most updated information are available online.



» Class I, Div.1 Group C, D T4 IP66
 » Conform to UL 1004-1, UL 1004-3, UL1203, UL674, CSA C22.2 No.145, CSA C22.2 No.30-M1986.

STANDARD

EXPLOSION-PROOF

GRAIN PROCESSING

SCREEN VIBRATOR

STAINLESS STEEL

FLANGED DRIVE



GRAIN PROCESSING



II 3D Temp. Class: ● 100 °C ● 135 °C

* Terminal Connections: Y High Voltage ; ▲ Low Voltage

MVE-Milling 6 POLES 1000/1200 rpm – Destoner / Densimetric Table

Unbalance (inlb)		Model		Centrifugal Force (lb)		Weight (lb)		ELECTRICAL SPECIFICATIONS								
50Hz	60Hz	50Hz	60Hz	50Hz	60Hz	50Hz	60Hz	Input Power (Hp)		Standard Nominal Current		* Terminal Connections	Ia / In		Cable Gland	
50Hz	60Hz	50Hz	60Hz	50Hz	60Hz	50Hz	60Hz	50Hz	60Hz	50Hz (400V)	60Hz (460V)		50Hz	60Hz	Metric	
48.17	38.41	NA	MVE 1550/4N-51A0	1371	1629	88.2	77.2	0.47	0.54	1.22	1.15	Y	3.0	3.0	M20	●
59.89	-	NA	NA	1700	-	87.1		1.01	-	1.42	-	Y	3.4	-	M25	●

MVE-Milling 10 POLES 600/750 rpm – Grain Purifier

Unbalance (inlb)		Model		Centrifugal Force (lb)		Weight (lb)		ELECTRICAL SPECIFICATIONS								
50Hz	60Hz	50Hz	60Hz	50Hz	60Hz	50Hz	60Hz	Input Power (Hp)		Standard Nominal Current		* Terminal Connections	Ia / In		Cable Gland	
50Hz	60Hz	50Hz	60Hz	50Hz	60Hz	50Hz	60Hz	50Hz	60Hz	50Hz (400V)	60Hz (460V)		50Hz	60Hz	Metric	
107.2	107.2	NA	MVE 1110/10N-51A0	1096	1576	119.0		0.69	0.69	2.11	1.22	Y	2.8	2.8	M20	●
118.9	118.9	NA	MVE 1210/10N-51A0	1215	1748	125.7		0.69	0.69	2.11	1.22	Y	2.8	2.8	M20	●
142.8	142.8	NA	MVE 1720/10N-61A0	1457	2099	160.9		0.54	0.54	1.20	1.00	Y	2.5	2.5	M20	●
166.3	166.3	NA	MVE 2500/10N-60A0	1698	2447	207.2		1.05	1.05	1.40	1.30	Y	2.5	2.5	M25	●
204.5	204.5	NA	MVE 3000/10N-60A0	2088	3007	229.3		1.05	1.05	1.40	1.30	Y	2.5	2.5	M25	●

MVE-Milling 12 POLES 600 rpm – Grain Purifier

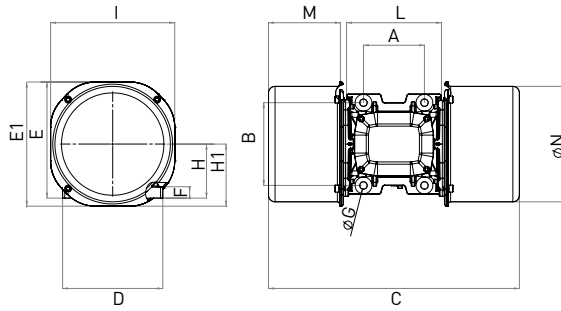
Unbalance (inlb)		Model		Centrifugal Force (lb)		Weight (lb)		ELECTRICAL SPECIFICATIONS								
50Hz	60Hz	50Hz	60Hz	50Hz	60Hz	50Hz	60Hz	Input Power (Hp)		Standard Nominal Current		* Terminal Connections	Ia / In		Cable Gland	
50Hz	60Hz	50Hz	60Hz	50Hz	60Hz	50Hz	60Hz	50Hz	60Hz	50Hz (400V)	60Hz (460V)		50Hz	60Hz	Metric	
-	107.2	NA	MVE 1110/12N-51A0	-	1096	119.0		-	0.47	-	0.98	Y	-	2.8	M20	●
-	118.9	NA	MVE 1210/12N-51A0	-	1215	125.7		-	0.47	-	0.98	Y	-	2.8	M20	●
-	164.5	NA	MVE 1720/12N-61A0	-	1457	160.9		-	0.54	-	1	Y	-	2.3	M20	●



60Hz masses = 50Hz masses adjusted at 100%



L



Model		Drawing	Size	DIMENSIONAL SPECIFICATIONS (inches)												
				C		M		A	B	Ø G	Holes	D	E	F	H	I
50Hz	60Hz	50Hz	60Hz	n°												
NA	MVE 1550/4N-51A0	D1	51A0	17	5	5	7	1	4	8	9	1	4	8	8	7.2
NA	NA	M	58A0	17	5	5	7	1	4	8	11	2	6	10	7	8.7

Model		Drawing	Size	DIMENSIONAL SPECIFICATIONS (inches)														
				C		M		A	B	Ø G	Holes	D	E	E1	F	H	H1	I
50Hz	60Hz	50Hz	60Hz	n°														
NA	MVE 1110/10N-51A0	L	51A0	19.37	5.28	4.72	6.69	0.67	4	8.19	8.86	9.45	0.87	4.13	4.72	9.45	7.56	8.74
NA	MVE 1210/10N-51A0	L	51A0	19.37	5.28	4.72	6.69	0.67	4	8.19	8.86	9.45	0.87	4.13	4.72	9.45	7.56	8.74
NA	MVE 1720/10N-61A0	L	61A0	22.68	6.50	5.51	7.48	0.67	4	9.06	10.47	11.22	1.02	4.88	5.63	11.22	8.58	10.43
NA	MVE 2500/10N-60A0	L	60A0	22.68	6.50	5.51	7.48	0.67	4	9.06	10.47	11.22	1.02	4.88	5.63	11.22	8.58	10.43
NA	MVE 3000/10N-60A0	L	60A0	22.68	6.50	5.51	7.48	0.67	4	9.06	10.47	11.22	1.02	4.88	5.63	11.22	8.58	10.43

Model		Drawing	Size	DIMENSIONAL SPECIFICATIONS (inches)														
				C		M		A	B	Ø G	Holes	D	E	E1	F	H	H1	I
50Hz	60Hz	50Hz	60Hz	n°														
NA	MVE 1110/12N-51A0	L	51A0	19.37	5.28	4.72	6.69	0.67	4	8.19	8.86	9.45	0.87	4.13	4.72	9.45	7.56	8.74
NA	MVE 1210/12N-51A0	L	51A0	19.37	5.28	4.72	6.69	0.67	4	8.19	8.86	9.45	0.87	4.13	4.72	9.45	7.56	8.74
NA	MVE 1720/12N-61A0	L	61A0	22.68	6.50	5.51	7.48	0.67	4	9.06	10.47	11.22	1.02	4.88	5.63	11.22	8.58	10.43

NOTE: Dimensions with coarse degree of accuracy related to UNI 22768/1

This information is provided without warranty, representation, inducement or licence of any kind. It is accurate to the best OLI knowledge or is obtained from sources believed to be accurate. OLI therefore assumes no legal responsibility. The latest and most updated information are available online.



» Declaration of conformity "type B" according to: 2014/35/UE - 2023/1230 EC - EN 60034-1
 » Conform to UL1446 and CSA 22.2 No 0-10

STANDARD

EXPLOSION-PROOF

GRAIN PROCESSING

SCREEN VIBRATOR

STAINLESS STEEL

FLANGED DRIVE

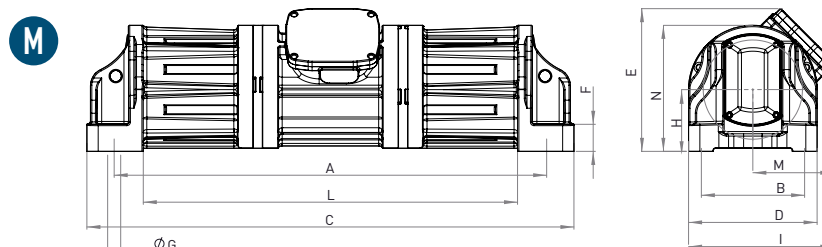


SCREEN VIBRATOR



Ex II 2G: Temp. Class **T4**
 Class I Div.1: Temp. Class **T4**
 Ex II 2D Temp. Class: **● 135 °C**

* Terminal Connections: **Y** High Voltage; **▲** Low Voltage



MVE-SV 4 POLES - EXPLOSION PROOF

1500/1800 rpm

Unbalance (inlb)		Model For U.S. Market	Centrifugal Force (lb)		Weight (lb)		ELECTRICAL SPECIFICATIONS						CERTIFICATE	
			50Hz	60Hz	50Hz	60Hz	50Hz	60Hz	50Hz (400V)	60Hz (460V)	* Terminal Connections	Ia / In (Ampere)	Cable Gland	
50Hz	60Hz	60Hz	50Hz	60Hz	50Hz	60Hz	50Hz	60Hz	50Hz	60Hz	50Hz	60Hz		50Hz
121	84	MVE 7700/4D-SV-75A0	7,716	7,721	396.8	374.8	2.9	3.5	4.3	4.3	Y	6.5	6.5	3/4" NPT 110°C ●
121	84	MVE 7700/4D-SV-75D0	7,716	7,721	396.8	374.8	2.9	3.5	4.3	4.3	Y	6.5	6.5	3/4" NPT 110°C ●
181	127	MVE 11500/4D-SV-80A0	11,552	11,647	465.2	440.9	3.3	4.0	5.5	5.2	Y	7.1	7.0	3/4" NPT 110°C ●
269	188	MVE 17100/4D-SV-85A0	17,174	17,308	617.3	573.2	4.3	5.1	6.3	6.3	Y	7.1	7.0	3/4" NPT 110°C ●

MVE-SV 4 POLES - STANDARD RANGE

1500/1800 rpm



The MVE-SV is available also as "standard" range, with Ex II 3D certification: Ex II 3D Temp. Class: ● 135 °C
 Electrical and dimensional specifications are the same as the "explosion proof" range.

NOTE: The Model name in the standard range is different: the letter "D" changes in "N".



- » II 3D Ex tc IIIC Tx IP66
- » Equipment and protective system intended for use in potentially explosive atmospheres (Zone 22) - Directive 2014/34/UE
- » Compliance with Essential Health and Safety Requirements EN 60079-0, EN 60079-31



- » Declaration of conformity "type B" according to: 2014/35/UE - 2023/1230 EC - EN 60034-1
- » Conform to UL1446 and CSA 22.2 No 0-10

SV SIZE 75A0



SV SIZE 85A0



UP TO SIZE 50 (INCLUDED)
60Hz masses = 50Hz masses adjusted at 70%



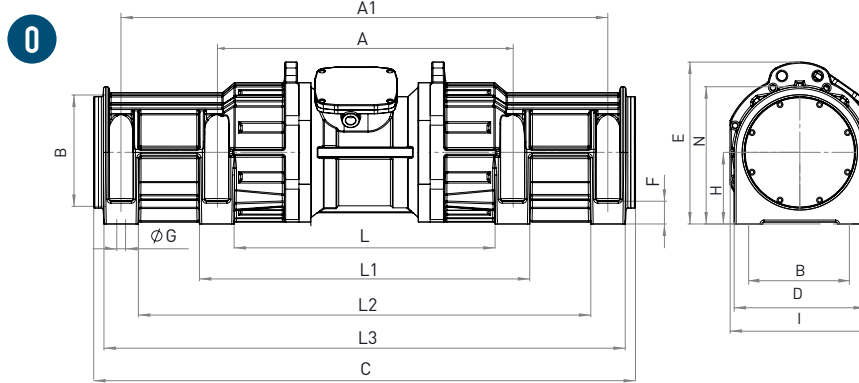
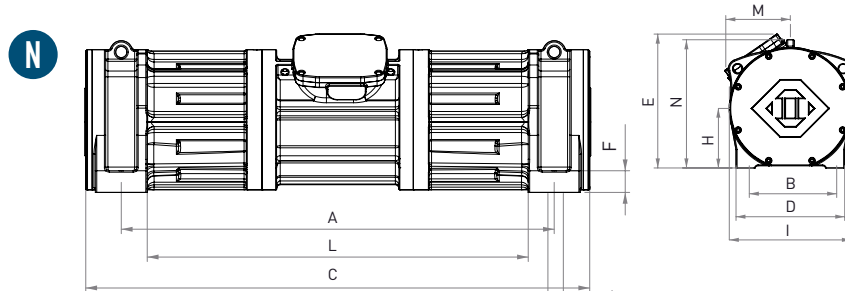
ABOVE SIZE 50 (NOT INCLUDED)
Specific masses for 60Hz

To convert kg into Newton: $N = 9.81 \cdot kg$



- » II 2G Ex db IIB T4 Gb,
- » II 2D Ex tb IIIC T135°C Db
- » Ex db IIB T4 Gb
- » Ex tb IIIC T135°C Db

- » Ambient temperature from -20°C to +60°C
- » Compliance with Essential Health and Safety Requirements IEC EN 60079-0, IEC EN 60079-31, IEC EN 60079-1



DIMENSIONAL SPECIFICATIONS (inches)

Model For U.S. Market	Drawing	Size	C	M	A	A1	B	ØG	Holes	D	E	F	H	I	L	L1	L2	L3	N
60Hz																			
MVE 7700/4D-SV-75A0	A	75A0	42.52	7.07	37.76	-	9.02	1.14	4	11.22	12.46	2.36	5.39	12.68	32.68	-	-	-	11.00
MVE 7700/4D-SV-75D0	A	75D0	42.52	7.07	37.76	-	9.50	0.79	4	11.22	12.46	2.36	5.39	12.68	32.68	-	-	-	11.00
MVE 11500/4D-SV-80A0	B	80A0	43.94	6.69	37.76	-	9.02	1.14	4	11.22	13.82	1.89	6.14	13.11	33.23	-	-	-	12.44
MVE 17100/4D-SV-85A0	C	85A0	55.57	/	31.20	49.92	11.02	0.87	8	12.99	16.02	2.24	7.09	14.17	27.84	34.55	46.52	53.27	13.58

Notes:

.....

.....

.....

.....

NOTE: Dimensions with coarse degree of accuracy related to UNI 22768/1

This information is provided without warranty, representation, inducement or licence of any kind. It is accurate to the best OLI knowledge or is obtained from sources believed to be accurate. OLI therefore assumes no legal responsibility. The latest and most updated information are available online.



Ex II 3D Temp. Class: ● 100 °C ● 135 °C

* Terminal Connections: Y High Voltage; ▲ Low Voltage

MVE-SS 2 POLES 3000/3600 rpm

Unbalance (inlb)		Model	Centrifugal Force (lb)		Weight (lb)		ELECTRICAL SPECIFICATIONS							
50Hz	60Hz		50Hz	60Hz	50Hz	60Hz	Input Power (Hp)		Standard Nominal Current		* Terminal Connection	Ia / In		Cable Gland
50Hz	60Hz	60Hz	50Hz	60Hz	50Hz	60Hz	50Hz	60Hz	50Hz (400V)	60Hz (460V)		50Hz	60Hz	
3.2	2.2	MVE 690/2N-SS-30A0	707	712	35		0.34	0.38	0.52	0.45	Y	3.8	3.7	M20 ●
7.4	5.3	MVE 1700/2N-SS-40A0	1,671	1,686	54.9		0.79	0.82	1.25	1.24	Y	4.5	5.2	M20 ●
7.8	5.5	MVE 1800/2N-SS-50A0	1,750	1,763	70.5	68.3	0.94	1.13	1.45	1.50	Y	4.0	4.0	M20 ●

MVE-SS 4 POLES 1500/1800 rpm

Unbalance (inlb)		Model	Centrifugal Force (lb)		Weight (lb)		ELECTRICAL SPECIFICATIONS							
50Hz	60Hz		50Hz	60Hz	50Hz	60Hz	Input Power (Hp)		Standard Nominal Current		* Terminal Connections	Ia / In		Cable Gland
50Hz	60Hz	60Hz	50Hz	60Hz	50Hz	60Hz	50Hz	60Hz	50Hz (400V)	60Hz (460V)		50Hz	60Hz	
7.72	5.42	MVE 400/4N-SS-30A0	428	432	40.8		0.16	0.19	0.49	0.50	Y	2.2	2.2	M20 ●
20.06	14.04	MVE 1150/4N-SS-40A0	1,111	1,120	66.1		0.47	0.54	1.06	1.09	Y	3.0	2.9	M20 ●
28.42	19.68	MVE 1540/4N-SS-50A0	1,574	1,570	85.9		0.83	0.98	1.32	1.20	Y	3.2	3.4	M20 ●
44.34	31.01	MVE 2300/4N-SS-50A0	2,456	2,110	103.61		0.86	1.03	1.40	1.35	Y	4.0	4.0	M20 ●
54.30	38.36	MVE 3100/4N-SS-60A0	3,007	3,059	143.3		0.94	1.13	1.78	1.78	Y	4.2	4.2	M25 ●
93.85	68.68	MVE 5340/4N-SS-60A0	5,198	5,478	168.65		2.11	2.52	3.20	3.20	Y	5.1	5.1	M25 ●

MVE-SS 6 POLES 1000/1200 rpm

Unbalance (inlb)		Model	Centrifugal Force (lb)		Weight (lb)		ELECTRICAL SPECIFICATIONS							
50Hz	60Hz		50Hz	60Hz	50Hz	60Hz	Input Power (Hp)		Standard Nominal Current		* Terminal Connections	Ia / In		Cable Gland
50Hz	60Hz	60Hz	50Hz	60Hz	50Hz	60Hz	50Hz	60Hz	50Hz (400V)	60Hz (460V)		50Hz	60Hz	
16.75	11.69	MVE 410/6N-SS-40A0	412	414	61.5		0.20	0.24	0.65	0.62	Y	2.2	2.2	M20 ●
45.94	45.94	MVE 1600/6N-SS-50A0	1,131	1,629	101.0		0.74	0.54	1.22	1.15	Y	3.0	2.9	M20 ●
68.70	54.29	MVE 1730/6N-SS-60A0	1,690	1,924	132.3	127.9	1.01	1.07	1.42	1.32	Y	3.4	3.3	M25 ●
142.40	98.26	MVE 3090/6N-SS-60A0	3,505	3,483	185.2	160.3	1.21	1.45	1.80	2.00	Y	3.5	3.5	M25 ●

MVE-SS 8 POLES 750/900 rpm

Unbalance (inlb)		Model	Centrifugal Force (lb)		Weight (lb)		ELECTRICAL SPECIFICATIONS							
50Hz	60Hz		50Hz	60Hz	50Hz	60Hz	Input Power (Hp)		Standard Nominal Current		* Terminal Connections	Ia / In		Cable Gland
50Hz	60Hz	60Hz	50Hz	60Hz	50Hz	60Hz	50Hz	60Hz	50Hz (400V)	60Hz (460V)		50Hz	60Hz	
16.70		MVE 330/8N-SS-40A0	231	333	65.5		0.31	0.34	1.14	1.14	Y	1.7	1.7	M20 ●
42.01		MVE 880/8N-SS-50A0	582	838	101.0		0.34	0.40	0.90	0.89	Y	2.1	2.1	M20 ●
68.66		MVE 1430/8N-SS-60A0	950	1,369	138.9		0.50	0.60	1.20	1.20	Y	2.4	2.4	M25 ●
93.86		MVE 2000/8N-SS-60A0	1,298	1,871	154.3		0.74	0.72	1.23	1.29	Y	2.7	2.7	M25 ●



2, 4, 6 POLES

60Hz masses = 50Hz masses adjusted at 70%



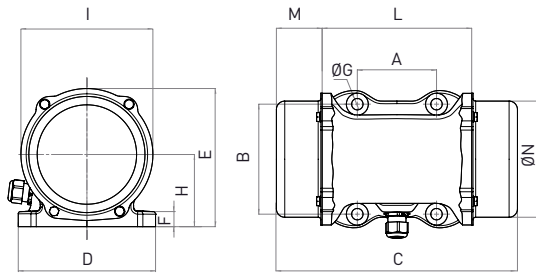
8 POLES

60Hz masses = 50Hz masses adjusted at 100%

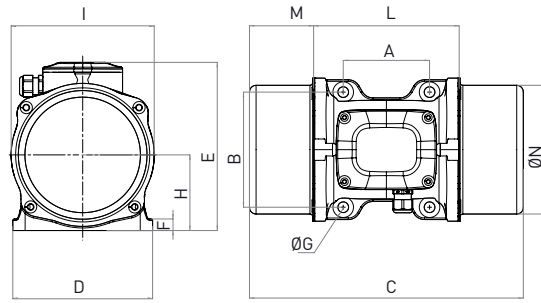
To convert kg into Newton: N = 9.81 · kg



P



Q



DIMENSIONAL SPECIFICATIONS (inches)

Model	Drawing	Size	C		M		A	B	Ø G	Holes	D	E	F	H	I	L	N
			50Hz	60Hz	50Hz	60Hz				N°							
MVE 690/2N-SS-30A0	P	30A0	99.60	16.53	3.54	4.92	0.51	4	6.14	6.18	0.67	3.23	5.91	6.46	5.28		
MVE 1700/2N-SS-40A0	Q	40A0	13.11	3.07	4.13	5.51	0.51	4	6.69	8.03	0.55	3.62	6.85	6.85	6.14		
MVE 1800/2N-SS-50A0	Q	50A0	12.76	2.50	4.72	6.69	0.67	4	8.19	8.78	0.71	3.78	7.28	7.56	6.50		

DIMENSIONAL SPECIFICATIONS (inches)

Model	Drawing	Size	C		M		A	B	Ø G	Holes	D	E	F	H	I	L	N
			50Hz	60Hz	50Hz	60Hz				N°							
MVE 400/4N-SS-30A0	P	30A0	11.73	2.52	3.54	4.92	0.51	4	6.14	6.18	0.67	3.23	5.91	6.46	2.52		
MVE 1150/4N-SS-40A0	Q	40A0	13.11	3.07	4.13	5.51	0.51	4	6.69	8.03	0.55	3.62	6.85	6.85	6.14		
MVE 1540/4N-SS-50A0	Q	50A0	15.28	3.74	4.72	6.69	0.67	4	8.19	8.78	0.71	3.78	7.28	7.76	6.50		
MVE 2300/4N-SS-50A0	Q	50A0	18.03	5.08	4.72	6.69	0.67	4	8.19	8.78	0.71	3.78	7.28	7.56	6.69		
MVE 3100/4N-SS-60A0	Q	60A0	17.52	4.37	5.51	7.48	0.67	4	9.06	9.84	1.02	4.88	9.45	8.58	8.70		
MVE 5340/4N-SS-60A0	Q	60A0	19.25	5.24	5.51	7.48	0.67	4	9.06	9.84	1.02	4.88	9.45	8.58	8.70		

DIMENSIONAL SPECIFICATIONS (inches)

Model	Drawing	Size	C		M		A	B	Ø G	Holes	D	E	F	H	I	L	N
			50Hz	60Hz	50Hz	60Hz				N°							
MVE 410/6N-SS-40A0	Q	40A0	13.11	3.07	4.13	5.51	0.51	4	6.69	8.03	0.55	3.62	6.85	6.85	6.14		
MVE 1600/6N-SS-50A0	Q	50A0	18.03	5.08	4.72	6.69	0.67	4	8.19	8.78	0.71	3.78	7.28	7.56	6.69		
MVE 1730/6N-SS-60A0	Q	60A0	17.52	4.37	5.51	7.48	0.67	4	9.06	9.84	1.02	4.88	9.45	8.58	8.70		
MVE 3090/6N-SS-60A0	Q	60A0	22.24	19.25	6.73	5.24	5.51	7.48	0.67	4	9.06	9.84	1.02	4.88	9.45	8.58	8.70

DIMENSIONAL SPECIFICATIONS (inches)

Model	Drawing	Size	C		M		A	B	Ø G	Holes	D	E	F	H	I	L	N
			50Hz	60Hz	50Hz	60Hz				N°							
MVE 330/8N-SS-40A0	Q	40A0	13.11	3.07	4.13	5.51	0.51	4	6.69	8.03	0.55	3.62	6.85	6.85	6.14		
MVE 880/8N-SS-50A0	Q	50A0	18.03	5.08	4.72	6.69	0.67	4	8.19	8.78	0.71	3.78	7.28	7.56	6.69		
MVE 1430/8N-SS-60A0	Q	60A0	17.52	4.37	5.51	7.48	0.67	4	9.06	9.84	1.02	4.88	9.45	8.58	8.70		
MVE 2000/8N-SS-60A0	Q	60A0	19.25	5.24	5.51	7.48	0.67	4	9.06	9.84	1.02	4.88	9.45	8.58	8.70		

NOTE: Dimensions with coarse degree of accuracy related to UNI 22768/1

This information is provided without warranty, representation, inducement or licence of any kind. It is accurate to the best OLI knowledge or is obtained from sources believed to be accurate. OLI therefore assumes no legal responsibility. The latest and most updated information are available online.



» Declaration of conformity "type B" according to: 2014/35/UE - 2023/1230 EC - EN 60034-1
 » Conform to UL1446 and CSA 22.2 No 0-10

STANDARD

EXPLOSION-PROOF

GRAIN PROCESSING

SCREEN VIBRATOR

STAINLESS STEEL

FLANGED DRIVE



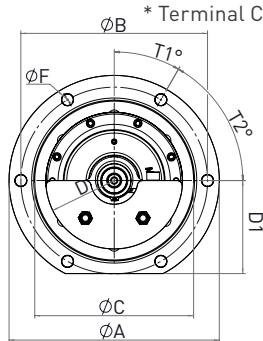
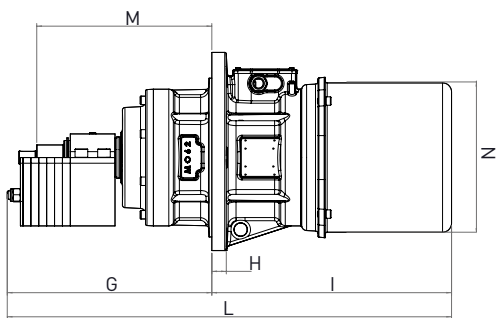
FLANGED DRIVE



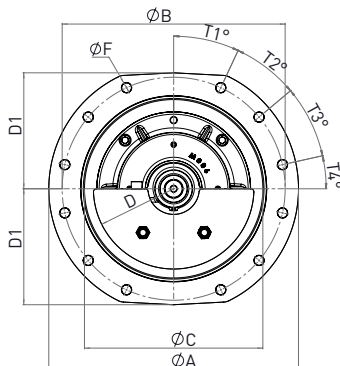
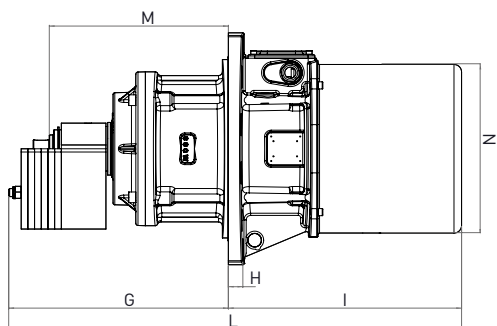
Ex II 3D Temp. Class: ● 135 °C

* Terminal Connections: Y High Voltage; ▲ Low Voltage

R



S



MVE-FD 6 POLES 1000/1200 rpm

Unbalance (lbin)		Model	Centrifugal Force (lb)		Weight (lb)		ELECTRICAL SPECIFICATIONS							
50Hz	60Hz		50Hz	60Hz	50Hz	60Hz	Input Power (Hp)		Nominal Current		* Terminal Connection	Ia / In (Ampere)		Cable Gland
50Hz	60Hz	60Hz	50Hz	60Hz	50Hz	60Hz	50Hz	60Hz	400V 50Hz	460V 60Hz		50Hz	60Hz	
349.8	283.9	MVE 11700/6N-FD-80AX A	9,920.7	11,605.0	451.9	440.9	4.8	4.8	7.5	6.9	Y	4.5	4.3	M25 ●
416.7	349.8	MVE 14500/6N-FD-80AX A	11,816.7	14,285.8	535.7	509.3	7.8	7.8	12	10.5	Y	5.5	5.3	M25 ●
658.9	459.2	MVE 19000/6N-FD-90BP A	18,695.0	18,763.4	736.3	727.5	8.2	8.6	14.1	12.7	▲	6.4	6.4	M32 ●
811.6	658.9	MVE 27000/6N-FD-91BP A	23,029.3	26,920.4	899.5	853.2	8.6	10.3	12.9	14.5	▲	5.8	6.4	M32 ●
962.7	/	/	27,317.2	/	963.4	/	10.7	/	17.1	/	▲	6.2	/	M32 ●
1,143.2	805.6	MVE 33000/6N-FD-105BR B	32,420.8	32,899.2	1,485.9	1,393.3	16.0	19.0	21	21	▲	5.8	5.8	M32 ●
1,397.6	931.9	MVE 37750/6N-FD-105BR B	39,638.7	38,060.2	1,543.2	1,411.0	16.0	19.0	21	21	▲	5.6	5.9	M32 ●
1,576.4	1,095.9	MVE 42290/6N-FD-105BR B	44,720.3	44,751.2	1,587.3	1,499.1	16.1	19.4	24	24	▲	5.4	5.6	M32 ●
1,984.4	1,372.8	MVE55100/6N-FD-110BS B	56,287.8	56,067.4	2,164.9	2,039.3	18.6	22.8	28	28	▲	4.8	5.3	M32 ●

MVE-FD 8 POLES 750/900 rpm

Unbalance (lbin)		Model	Centrifugal Force (lb)		Weight (lb)		ELECTRICAL SPECIFICATIONS							
50Hz	60Hz		50Hz	60Hz	50Hz	60Hz	Input Power (Hp)		Nominal Current		* Terminal Connection	Ia / In (Ampere)		Cable Gland
50Hz	60Hz	60Hz	50Hz	60Hz	50Hz	60Hz	50Hz	60Hz	400V 50Hz	460V 60Hz		50Hz	60Hz	
349.8	349.8	MVE 8000/8N-FD-80AX A	5,579.8	8,035.8	456.4	456.4	3.4	4.0	6	6	Y	3.5	3.5	M25 ●
416.7	416.7	MVE 9700/8N-FD-80AX A	6,646.9	9,572.4	511.5	511.5	6.7	7.9	13.5	14.2	Y	3.6	3.6	M25 ●
838.5	838.5	MVE 19500/8N-FD-90BP A	13,384.1	19,272.6	875.2	875.2	9.1	10.1	13.4	12.5	▲	3.5	3.5	M32 ●
962.7	962.7	MVE 22000/8N-FD-91BP A	15,363.9	22,125.4	928.1	928.1	9.4	10.3	14.7	13.4	▲	4.6	3.5	M32 ●
1,611.5	1,397.6	MVE 32100/8N-FD-105BR B	25,707.8	32,105.6	1,609.4	1,552.1	12.1	14.2	19	19	▲	4.5	5	M32 ●
1,910.2	1,701.4	MVE 39000/8N-FD-105BR B	30,472.0	39,085.4	1,660.1	1,616.0	12.2	14.8	20	20	▲	5.3	5.8	M32 ●
2,542.1	2,169.7	MVE49800/8N-FD-110BS B	40,553.6	49,846.0	2,138.5	2,039.3	18.5	22.1	28	28	▲	5.6	5.2	M32 ●



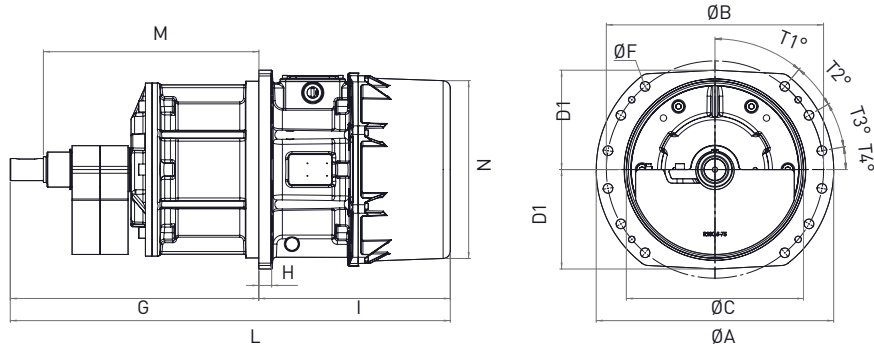
60Hz masses = 50Hz masses adjusted at 100%

To convert kg into Newton: N = 9.81 · kg

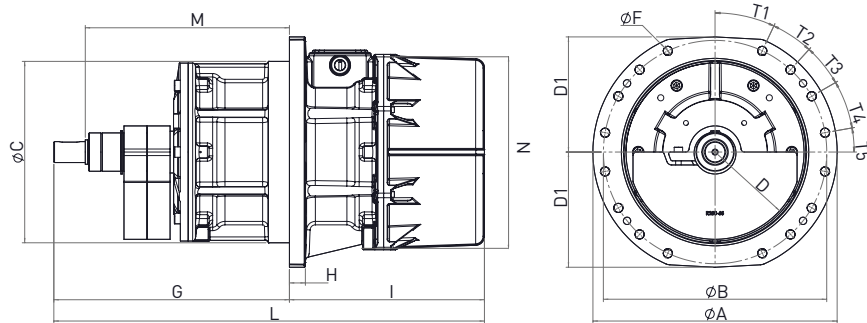


- » IIC3D Ex tc IIIC Tx IP66
- » Equipment and protective system intended for use in potentially explosive atmospheres (Zone 22) - Directive 2014/34/UE
- » Compliance with Essential Health and Safety Requirements
- » EN 60079-0, EN 60079-31

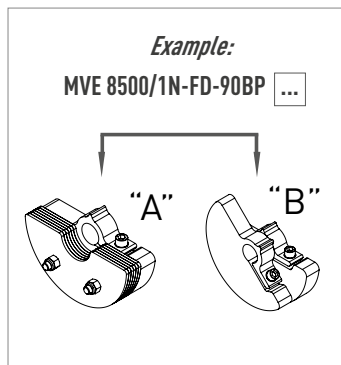
T



U

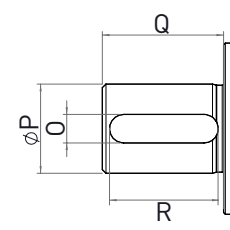


Product code digit for masses follows the scheme as below:



SHAFT EDGE

Type	O	Ø P	Q	R
Tolerances	H8	g6	± 0.2	± 0.2



Parallel Key round ended DIN 6885 A

DIMENSIONAL SPECIFICATIONS (in)

Drawing	Size	Holes	B	F	A	C	D	D1	G		H	I	L		M	N	O	P	Q	R	T1	T2	T3	T4	T5	Screw
									50Hz	60Hz			50Hz	60Hz												
									R	80AX			6	13.98												
R	80AX	6	13.98	0.87	15.75	11.89	5.12	6.97	18.07	16.89	1.10	20.51	38.58	37.40	13.11	11.18	0.31	0.98	1.34	1.20	1.18	2.36	/	/	/	M20
S	90BP	12	19.69	0.87	22.05	15.75	7.09	10.24	16.18	14.80	1.18	18.11	34.29	32.91	13.27	14.88	0.47	1.57	1.42	1.20	0.98	0.98	1.08	0.49	/	M20
S	91BP	12	19.69	0.87	22.05	15.75	7.09	10.24	18.64	18.05	1.18	20.59	39.21	38.64	15.43	14.88	0.47	1.57	1.42	1.20	0.98	0.98	1.08	0.49	/	M20
S	91BP	12	19.69	0.87	22.05	15.75	7.09	10.24	19.23	/	1.18	20.59	39.80	/	15.43	14.88	0.47	1.57	1.42	1.20	0.98	0.98	1.08	0.49	/	M20
T	105BR	12	23.23	1.02	25.39	18.90	9.09	10.63	26.57	26.57	1.38	20.47	47.05	47.05	23.03	19.49	0.71	2.36	3.54	2.36	1.57	0.79	0.79	0.39	/	M24
T	105BR	12	23.23	1.02	25.39	18.90	9.09	10.63	26.57	26.57	1.38	20.47	47.05	47.05	23.03	19.49	0.71	2.36	3.54	2.36	1.57	0.79	0.79	0.39	/	M24
T	105BR	12	23.23	1.02	25.39	18.90	9.09	10.63	26.57	26.57	1.38	20.47	48.23	48.23	23.03	19.49	0.71	2.36	3.54	2.36	1.57	0.79	0.79	0.39	/	M24
U	110BS	16	25.20	1.02	27.56	20.47	9.84	12.99	26.57	26.57	1.77	22.01	48.58	48.58	22.64	21.65	0.71	2.36	3.54	2.36	0.98	0.69	0.69	0.79	0.39	M24

DIMENSIONAL SPECIFICATIONS (in)

Drawing	Size	Holes	B	F	A	C	D	D1	G		H	I	L		M	N	O	P	Q	R	T1	T2	T3	T4	T5	Screw
									50Hz	60Hz			50Hz	60Hz												
									R	80AX			6	13.98												
R	80AX	6	13.98	0.87	15.75	11.89	5.12	6.97	18.07	18.07	1.10	20.51	38.58	38.58	13.11	11.18	0.31	0.98	1.34	1.20	1.18	2.36	/	/	/	M20
S	90BP	12	19.69	0.87	22.05	15.75	7.09	10.24	17.36	17.36	1.18	18.11	35.47	35.47	13.27	14.88	0.47	1.57	1.42	1.20	0.98	0.98	1.08	0.49	/	M20
S	91BP	12	19.69	0.87	22.05	15.75	7.09	10.24	19.23	19.23	1.18	20.59	39.80	39.80	15.43	14.88	0.47	1.57	1.42	1.20	0.98	0.98	1.08	0.49	/	M20
T	105BR	12	23.23	1.02	25.39	18.90	9.09	10.63	26.57	26.57	1.38	20.47	47.05	47.05	23.03	19.49	0.71	2.36	3.54	2.36	1.57	0.79	0.79	0.39	/	M24
T	105BR	12	23.23	1.02	25.39	18.90	9.09	10.63	26.57	26.57	1.38	20.47	48.23	48.23	23.03	19.49	0.71	2.36	3.54	2.36	1.57	0.79	0.79	0.39	/	M24
U	110BS	16	25.20	1.02	27.56	20.47	9.84	12.99	26.57	26.57	1.77	22.01	48.58	48.58	22.64	21.65	0.71	2.36	3.54	2.36	0.98	0.69	0.69	0.79	0.39	M24

NOTE: Dimensions with coarse degree of accuracy related to UNI 22768/1

This information is provided without warranty, representation, inducement or licence of any kind. It is accurate to the best OLI knowledge or is obtained from sources believed to be accurate. OLI therefore assumes no legal responsibility. The latest and most updated information are available online.



» Declaration of conformity "type B" according to: 2014/35/UE - 2023/1230 EC - EN 60034-1
» Conform to UL1446 and CSA 22.2 No 0-10



INSTALLATION

Mounting

The base plate surface where the vibrator motor is mounted has an allowable tolerance of 0.25mm (0.01in), so that the surfaces rest uniformly against each other to avoid internal tension that may cause breakage of the foot of the vibrating motor.

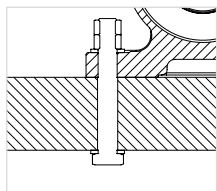
Use 8.8 (grade 5) type bolts, 8.0 type nuts and flat washers belonging to category A EN ISO 7089 / 7092.

The graph below shows the correct torque settings for the different bolt sizes used on the motor vibrators.

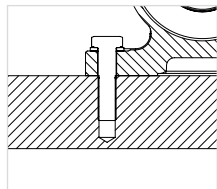
Motor / Machine interface

Screw		Washer		Clamping torque	
Metric	Imperial	Metric UNI 6592	Imperial Flat washer	(Nm)	(ftlb)
M6	1/4"	6.4 x 12	1/4"	9	6.5
M8	5/16"	8.4 x 16	5/16"	23	16.5
M10	3/8"	10.5 x 20	3/8"	45	33
M12	1/2"	13 x 24	1/2"	80	58
M16	5/8"	17 x 30	5/8"	185	137
M20	3/4"	21 x 37	3/4"	373	275
M22	7/8"	23 x 39	7/8"	550	411
M24	7/8"	25 x 44	7/8"	696	513
M27	1"	28 x 50	1"	873	645
M36	1-3/8"	37 x 66	1-3/8"	1,864	1,370
M42	1 5/8"	37 x 66	1 5/8"	2,850	2,102

FIXING

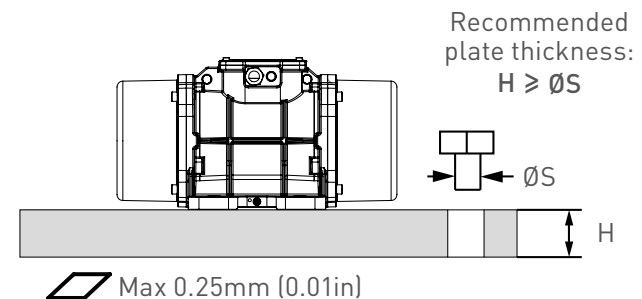


Smooth through borehole
+ screw
+ flat washer
+ nut and counter nut



Tapped threaded borehole
+ screw
+ flat washer

SURFACE FLATNESS TOLERANCE



**MACHINED & NOT PAINTED
SUPPORT PLATE**



Electrical connection

Verify that the voltage and frequency supply match the ones indicated on the rating plate of the electric vibrator.

If the motor is operated via a variable frequency drive do not run it under 20 Hz and not over the rated frequency.

Insert the power cable through the cable gland. The lead-in wires have to be of the eyelet-type, pre-insulated, with a bore that suits the terminals of the junction box in order to prevent overheating of the wire. Use only conductors that have a suitable cross-section.

Connect the lead wires to the pins (as shown in the diagram below) and tighten them with the specified torque.

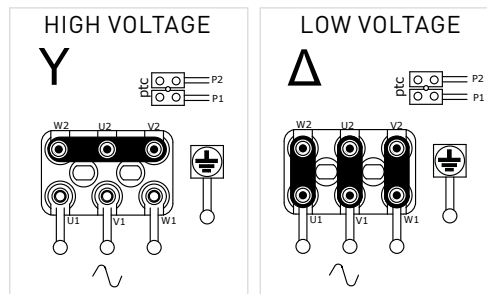
Do not forget to fix the earthing cable to the provided studs → Compulsory connection!

Before closing the junction box make sure that the cover gasket is properly fitted in order to keep the specified IP protection.

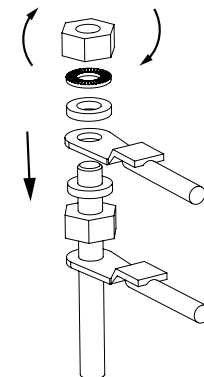
For more details on motor installation refer to product manuals.

Junction box nuts tightening torque		
Screw	Nm	ftlb
M4	2.5	1.84
M5	4	2.95
M6	5	3.69
M8	6	4.43
M10	8	5.90

TERMINAL CONNECTIONS



Check "Terminal Connection" column label to know the factory preset connection of each vibrator.



Overload protection

All electric vibrators **MUST** be connected to a suitable external overload protection.

When using two electric vibrators in sync, each of them has to be connected to an external overload protection that must be interlocked to make sure both motors are stopped if one fails.

Always use a thermal-magnetic type motor protection, with delayed cut-off, to avoid stopping

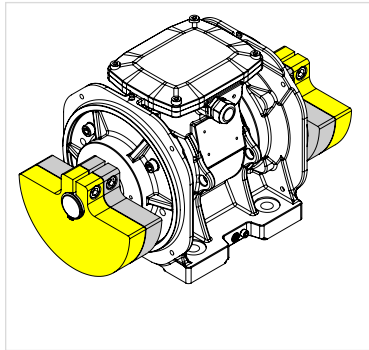
the motor during start-up when the current draw is higher than the rated running current for a few seconds.

Cut-off of the overload protection should be set at a maximum of +10% of the rated current.

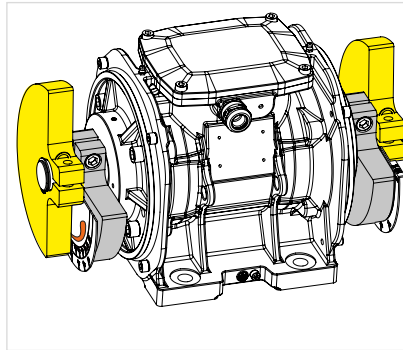


HOW TO CHANGE THE VIBRATION INTENSITY

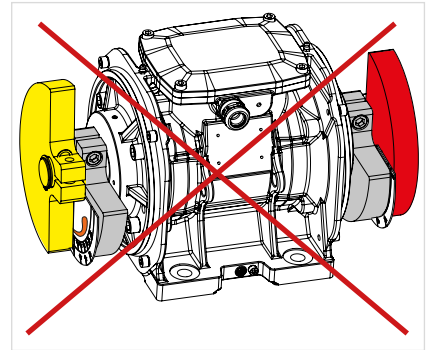
Adjustable masses - Type 1



MASSES AT 100%



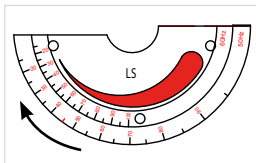
ADJUSTED MASSES



INCORRECTLY ADJUSTED MASSES

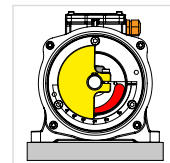
2 TIPS TO CORRECTLY ADJUST MASSES:

Rotate the mass following the design on the plate: from the thicker tip towards the thin tip.

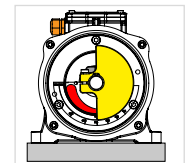


*left side of the motor.
for sizes up to 60*

Rotate the masses in the opposite direction to the cable gland.

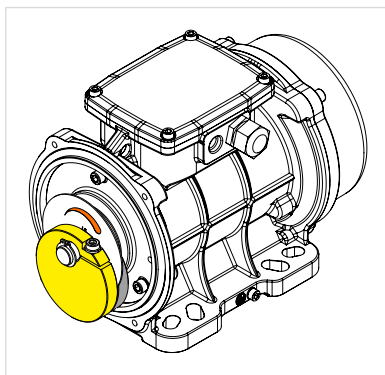


left side

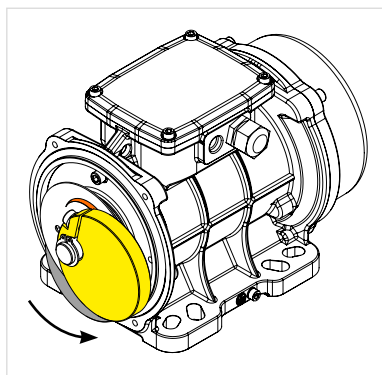


right side

Adjustable masses - Type 2

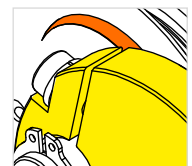


MASSES AT 100%

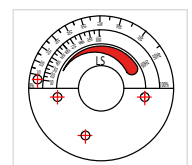


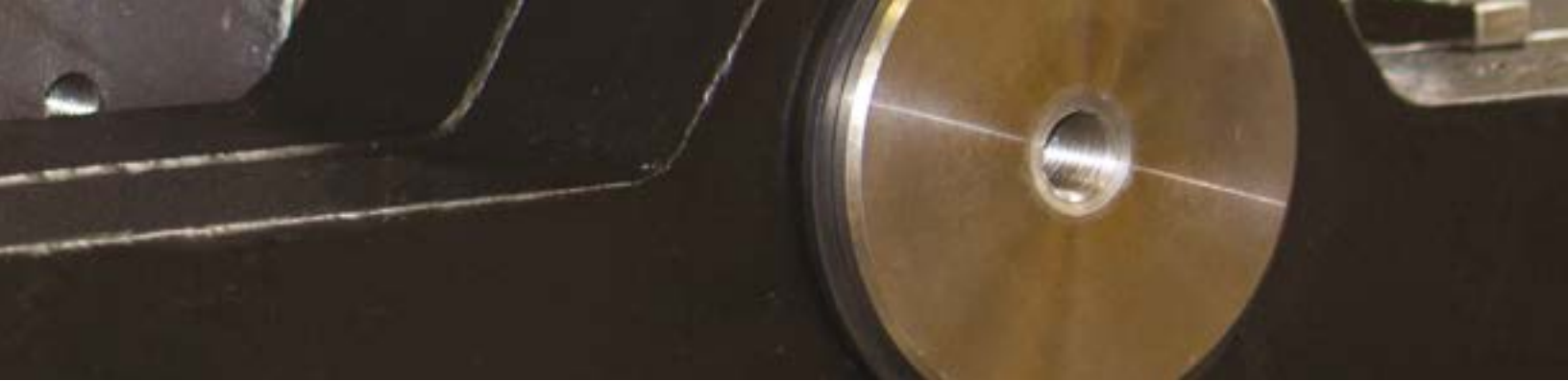
ADJUSTED MASSES

The fissure in the mass indicates the degree of adjustment.

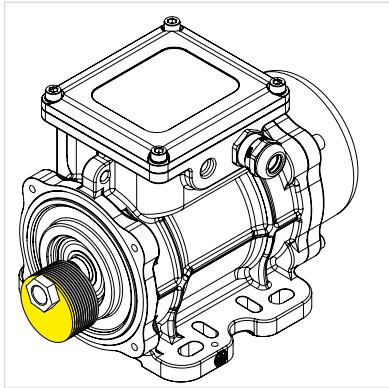


Rotate the mass following the design on the plate: from the thicker tip towards the thin tip.

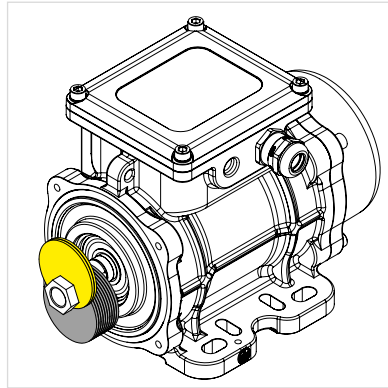




Adjustable masses - Type 3 (blade masses)



MASSES AT 100%



ADJUSTED MASSES

For technical information on the regulation of blade masses refer to the Use and Maintenance Manual.



Warning:
DO NOT grease new motors before installation.

OLI motors with roller bearings leave the factory filled with the right quantity of grease while those with ball bearing do not need any lubrication.

Note:

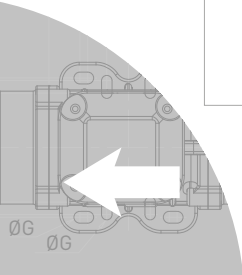
A large rectangular area containing horizontal dotted lines for writing notes.

Note:

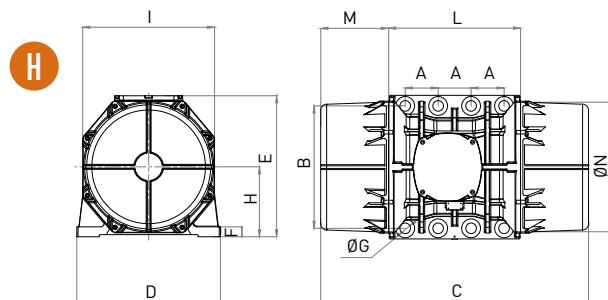
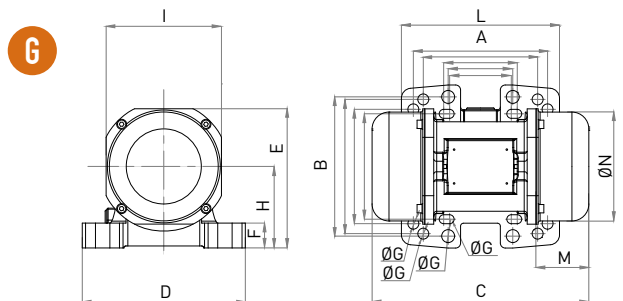
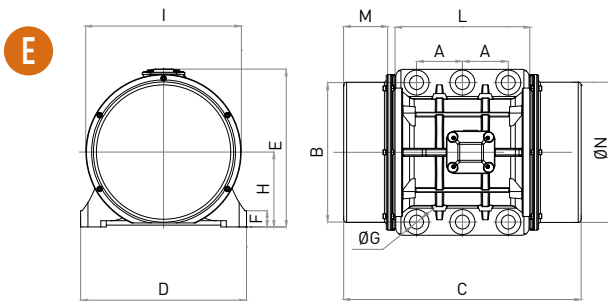
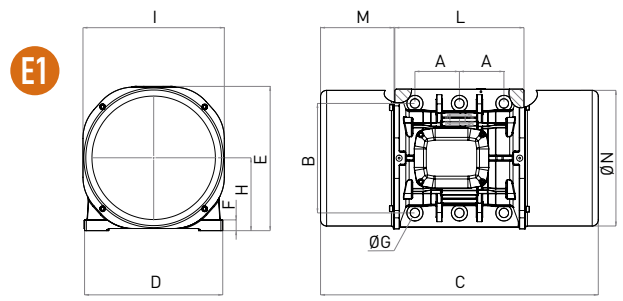
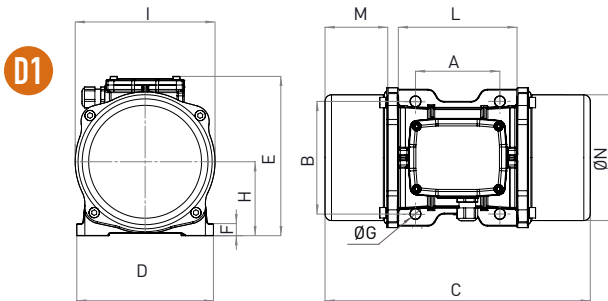
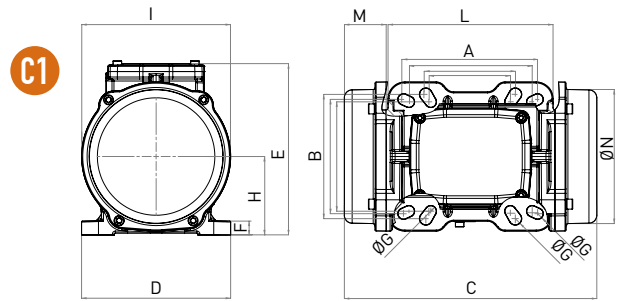
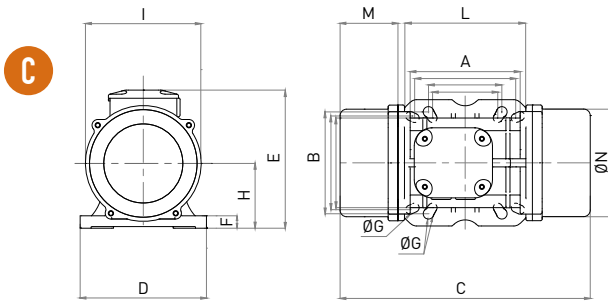
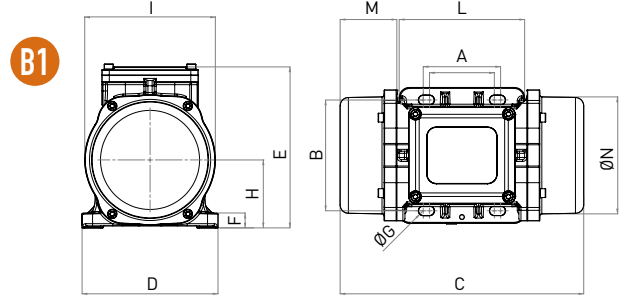
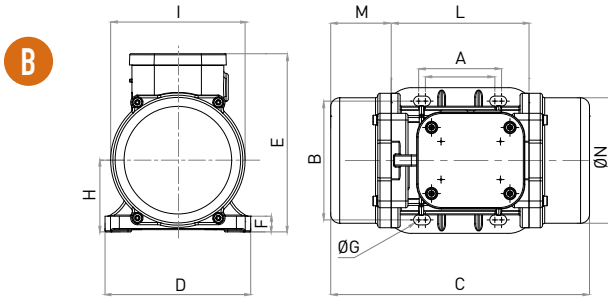
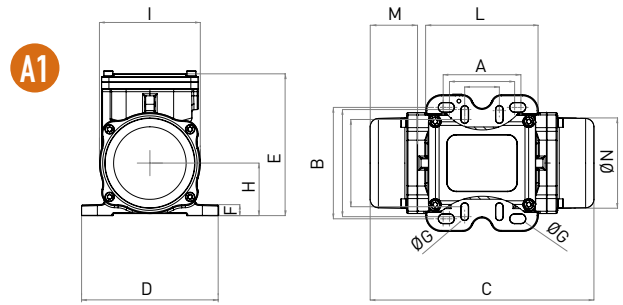
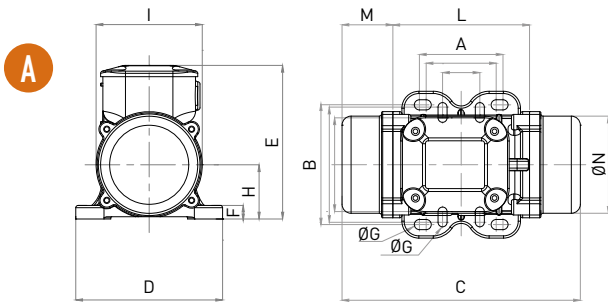
A large rectangular area containing numerous horizontal dotted lines, intended for writing notes.

Note:

A large rectangular area with a thin black border, containing 25 horizontal dotted lines for writing notes.



Technical drawings



WHEN YOU NEED IT, WHERE YOU NEED IT.

THE WORLDWIDE LEADER IN VIBRATION TECHNOLOGY

www.olivibra.com



OLI Headquarters

Via Sparato, 14
41036 Medolla (MO) - Italy

+39 0535 41 06 11

info@olivibra.com

OLI U.S.A.

2625 N. Berkeley Lake Rd.
Suite # 500, Duluth, Ga 30096 - USA

770.622.1494

sales@olivibrator.com

OLI worldwide

OLI Australia

OLI Brazil

OLI China

OLI France

OLI Germany

OLI India

OLI Indonesia

OLI Italy

OLI Korea

OLI Malaysia

OLI Malta

OLI Mexico

OLI Middle East

OLI Nordic

OLI Poland

OLI South Africa

OLI Spain

OLI Thailand

OLI Turkey

OLI UK

OLI USA

OLI Vietnam

